



*Warmth, from the heart of J.A. Roby*

# OWNER'S MANUAL

# OLYMPIEN



## CENTRAL FIREPLACE WOOD BURNING

September 7<sup>th</sup>, 2007 Review

## OLYMPIEN

---

490, rue de l'Argon  
Québec (Québec) G2N 2C9  
Phone : 418-849-8095 Fax : 418-849-0077  
[www.jaroby.com](http://www.jaroby.com)

# CONTENTS

CHARACTERISTICS – OLYMPIEN .....	3
WARNING .....	4
NOTICE.....	6
CREOSOTE.....	6
INSTALLATION .....	7
VERTICAL INSTALLATION ON A CATHEDRAL ROOF.....	7
CROSS INSTALLATION .....	8
VERTICAL INSTALLATION .....	8
ASSEMBLY OF THE FIREPLACE.....	<b>ERREUR ! SIGNET NON DÉFINI.</b>
ASSEMBLY OF THE BED ON THE BASE.....	10
INSTALLATION OF THE DOORS AND THE GLASSES.....	10
CLEARANCES .....	14
SEATING .....	14
LIGHTING .....	15
PREVENTIVE MEASURES AND MAINTENANCE.....	15
INTERCHANGEABLES PARTS LIST.....	15
LIMITED LIFE WARRANTY.....	16

**CAREFULLY READ THIS MANUAL AND KEEP IT FOR FURTHER REFERENCES**

**INSTALLATION OF THIS APPLIANCE MUST BE DONE BY A QUALIFIED AND CERTIFIED TECHNICIAN AND IN CONFORMITY WITH THE OWNER'S MANUAL GUIDE GIVEN WITH THIS APPLIANCE. THE INSTALLATION MUST BE IN AGREEMENT WITH LOCAL AND NATIONAL REGULATIONS APPLICABLE FOR SOLID FUEL BURNING APPLIANCES AND CONNEX EQUIPMENT (CAN/CSA-B365, NFPA211(USA) AND THE APPLICABLE BUILDING CODE .**

**WARNING! NEVER MODIFY THIS APPLIANCE !**

## CHARACTERISTICS – OLYMPIEN

<b>Combustible</b>	Wood
<b>Evacuation pipe diameter</b>	7 in (17,8 cm)
<b>Chimney minimal height</b>	12 ft (3,66 m)
<b>Exterior height</b>	47 in.
<b>Exterior width</b>	44 5/8 in.
<b>Exterior depth</b>	44 5/8 in.
<b>Door opening</b>	17 1/4 in. x 21 1/2 in.
<b>Interior height</b>	18 5/8 in.
<b>Interior width</b>	30 5/8 in.
<b>Interior depth</b>	30 5/8 in.
<b>Maximum log length</b>	16 in.
<b>Weight (approximately)</b>	300 lbs
<b>Clearances</b>	48 in. from the flame
<b>Glasses width</b>	12 1/2 in.
<b>Glasses height</b>	17 1/4 in.
<b>Logs basket width</b>	23 1/2 in.
<b>Logs basket depth</b>	23 1/2 in.
<b>Ashes basket width</b>	16 1/4 in.
<b>Ashes basket depth</b>	16 1/4 in.
<b>Ashes basket height</b>	3 5/8 in.

## WARNING

Before installing, please take a few minutes to read this handbook. Keep it in a sure place and easily reachable for future references. If this appliance is not properly installed, it could cause fire damages to the property, injuries and death. To reduce fire hazards, follow instructions contained in this handbook.

Contact an official inspector (ex: a fireman) or your insurance company for installation permit. Always respect the provincial and municipal building codes of your region.

Do not connect this appliance to a chimney that already serves for another wood stove.

The existing chimney should be well inspected before any installation. In doubt, consult a specialist.

Never use a non-isolated exterior conduct or a single pipe as an exterior exit.

Minimum clearances found in this manual must be observed.

Do not install in a mobile house.

Keep all combustible material (clothing, furniture, wood, matches, plastic, etc) at a distance of at least 91.5 cm (3 feet) from the appliance.

Do not use chemicals or fluids to light the fire. Never burn flammable waste or fluids such as gasoline, naphtha or engine oil

This appliance was conceived to burn wood. Do not use any other combustible.

Wood should not be stocked within the recommended minimums clearances or in the necessary space for the loading and the ashes evacuation.

Do not burn wet or freshly cut wood. Do not use construction debris such as pieces of 2x4 or plywood.

Ashes must be evacuated frequently, put in a steel container provided with a tight lid and be placed outside at once. You must never place other waste in this container.

Very hot when lighted. Keep the children away. Can cause burns by contact.

Considering the need of air for the combustion, a window or a door must be half opened sometimes (fresh air drainage) to balance the pressure in the house, especially if:

- A fan already evacuates air towards outside (kitchen, bathroom.)
- You want to avoid a repression of smoke when lighting the appliance and when reloading the wood.

It is recommended to have a smoke detector near the appliance.

**You should contact your municipal or provincial fire department to have knowledge of the procedure to be followed in case of a chimney fire. Think of an emergency plan.**

In case of a chimney fire:

- Water the combustible material adjacent to the chimney.
- Ring the alarm, evacuate the house if necessary and call the firemen.
- Never touch the pipes until the fire is not completely extinct.
- Do not use the chimney until it has been inspected or repaired.

Keep all the doors closed while the appliance is in function.

The chimney pipe should not pass close to water, gas or oil pipes, nor close to electric wire or other types of conduits, of combustible materials in the roofs, the attics, the walls or the floors. If you have to make it pass through a wall or a part of combustible construction, do not forget that the installation must be in accordance with the CAN/CSA-B365. Use at least 12 feet of a 7 inches diameter vertical chimney.

**NOTE:**

**FOLLOW THESE INSTRUCTIONS IN ORDER TO AVOID FIRE HAZARDS, WOUNDS AND PROPERTY DAMAGES.**

## NOTICE

The *Olympien* central fireplace was conceived to safely function the doors closed and only when burning firewood. Any change, modification or unauthorized installation will automatically cancel the certification of the appliance, its guarantee, its homologation and the appliance might become dangerous.

During the first hours of operation of your appliance, you must gradually heat it without exceeding 300°F (145°C), in order to let the paint cook slowly and to facilitate its adhesion with metal. It is normal that a light smoke is released from the paint during the first hours of use.

Even if this nuisance is temporary, open the windows and the doors in order to ensure good ventilation. This special paint is conceived to tolerate temperatures until 1200°F (650°C).

### *CREOSOTE*

The wood burning slowly produces tar and other organic steams, which forms a whole called “creosote”. The steam condenses in the cool chimney when the wood is burning slowly. In this way, creosote residues are formed on the walls. Creosote can take several forms: tarry liquid, soot dust or deposits in crystal form. When in fire, the creosote releases a very strong heat and can be the cause of a chimney fire.

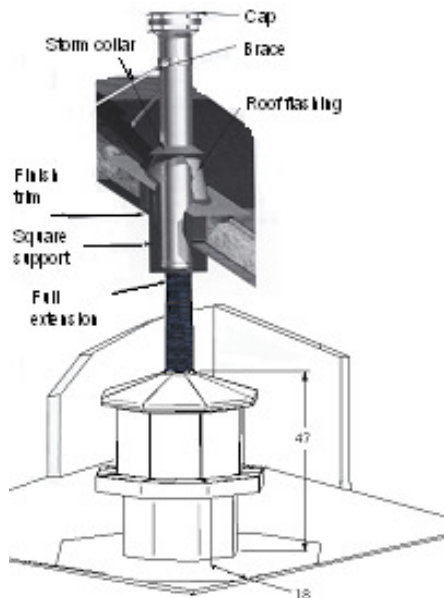
- **Do not knock on the glasses or violently close the doors.**
- **Do not use the appliance when a glass is broken or damaged.**
- **Do not build the fire too close of the glasses.**
- **The burning logs should not come into contact with the glasses in order to avoid a breaking**
- **Keep the doors closed when using the appliance.**
- **Do not connect the *Olympien* central fireplace with a chimney or a flue serving another heating appliance**

# INSTALLATION

A good installation is extremely important for a safe and efficient use of your J.A. Roby Inc. appliance. If you doubt on the way to install the appliance correctly, seek for professional installation service. We suggest you to call masters fitters.

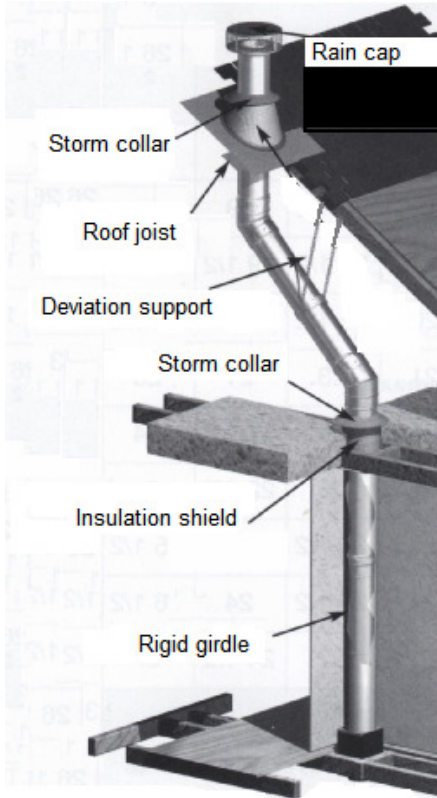
1. You must install a fireproof plate under the appliance, which must exceed of 18 inches around the fireplace.
2. The free space shall not be reduced except under the approval of the authorities responsible for the application of the building code.
3. Install the chimney and an insulated wall thimble for an installation passing through a wall according to the instructions from the chimney manufacturer.
4. The appliance should not be connected to an hot air conduct

## *VERTICAL INSTALLATION ON A CATHEDRAL ROOF*



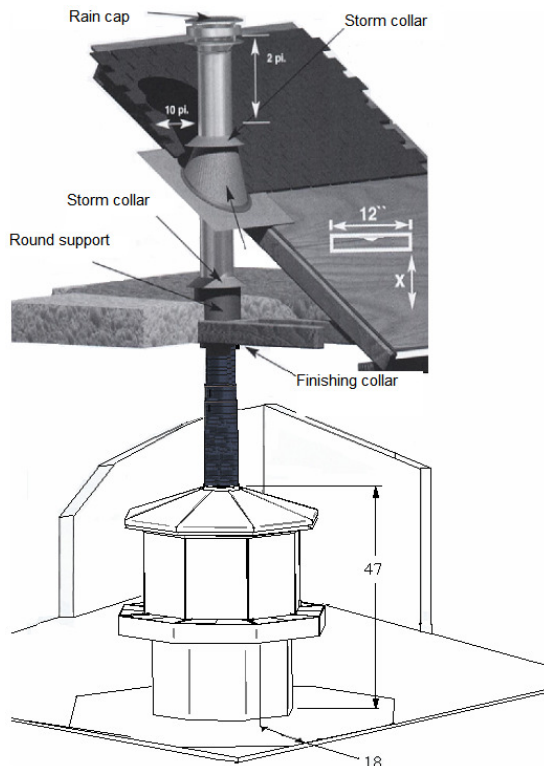
The *Olympien* central fireplace must be installed in accordance with the applicable local laws or the CAN/CSA – B365 NFPA211 (USA) norms. For the chimney, follow the chimney manufacturer's instructions.

## CROSS INSTALLATION



The *Olympien* central fireplace must be installed in accordance with the applicable local laws or the CAN/CSA – B365 NFPA211 (USA) norms. For the chimney, follow the chimney manufacturer's instructions.

## VERTICAL INSTALLATION

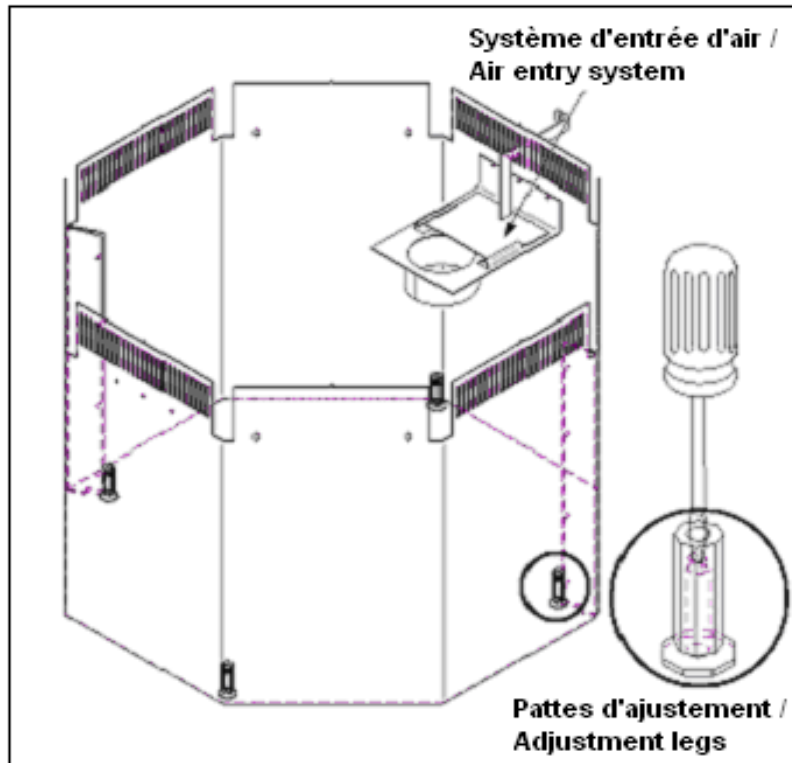


The *Olympien* central fireplace must be installed in accordance with the applicable local laws or the CAN/CSA – B365 NFPA211 (USA) norms. For the chimney, follow the chimney manufacturer's instructions.



# ASSEMBLY OF THE FIREPLACE

## *LEVELLING OF THE BASE*



Put your fireplace at the desired location and verify the level. If the base is not levelled, use a slotted screwdriver to screw or unscrew the legs of the fireplace until it is levelled.

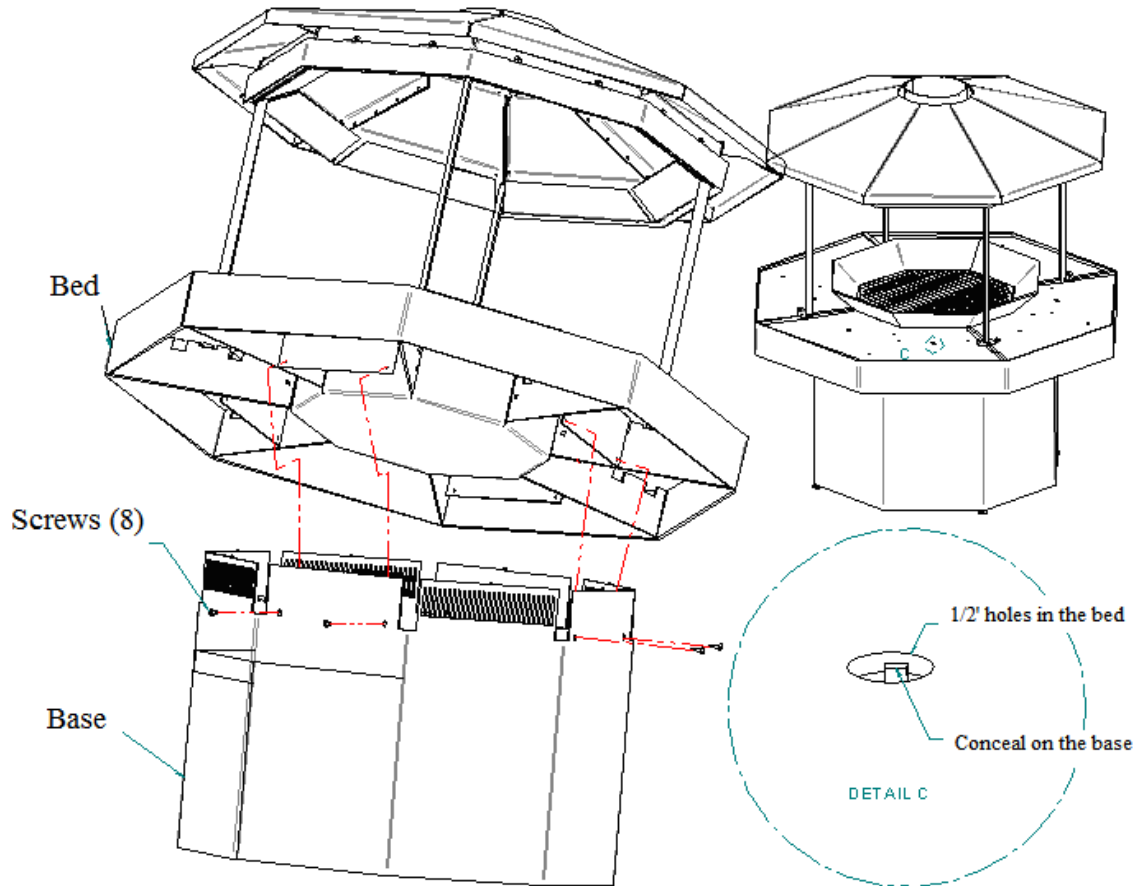
## *INSTALLATION OF A FLEXIBLE PIPE*

(OPTIONAL)

Connect a flexible pipe of 4 inches diameter on the collar of the air exit system. Pass it through the floor. Then, you will be able to send this air into another room.

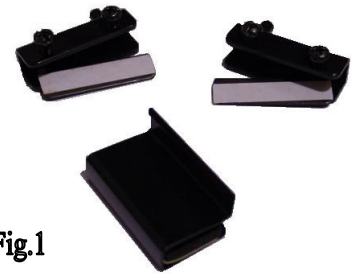
## *ASSEMBLY OF THE BED ON THE BASE*

In order to assembly these two parts, you only have to put the bed on the base and to insert the screws into the holes provided for this purpose.



## *INSTALLATION OF THE DOORS AND THE GLASSES*

To install the strap hinges on the glasses, you will need a regular screwdriver or a star screwdriver. The kit contains 2 strap hinges, 4 screws, 2 plates to protect the glass, 2 washers and 1 handle.



**Fig.1**

Place the strap hinge on the frame of the glass and insert a plate between the strap hinge and the glass. Screw the 2 screws in order to retain the strap hinge. Do the same thing for the bottom of the glass.

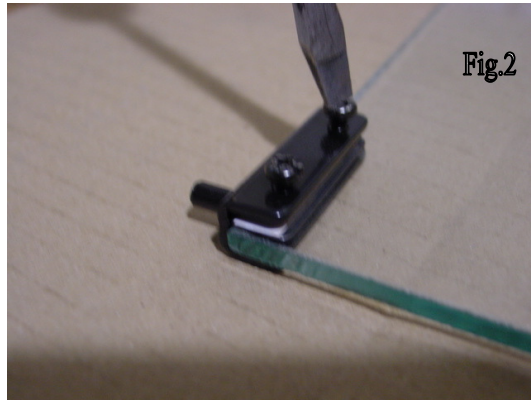


Fig.2

Once the handle is installed, do the same thing for the second door.



Fig.3

Insert the strap hinge in the hole. Adjust the strip so that it blocks the door but you must be able to open it.(fig.4)

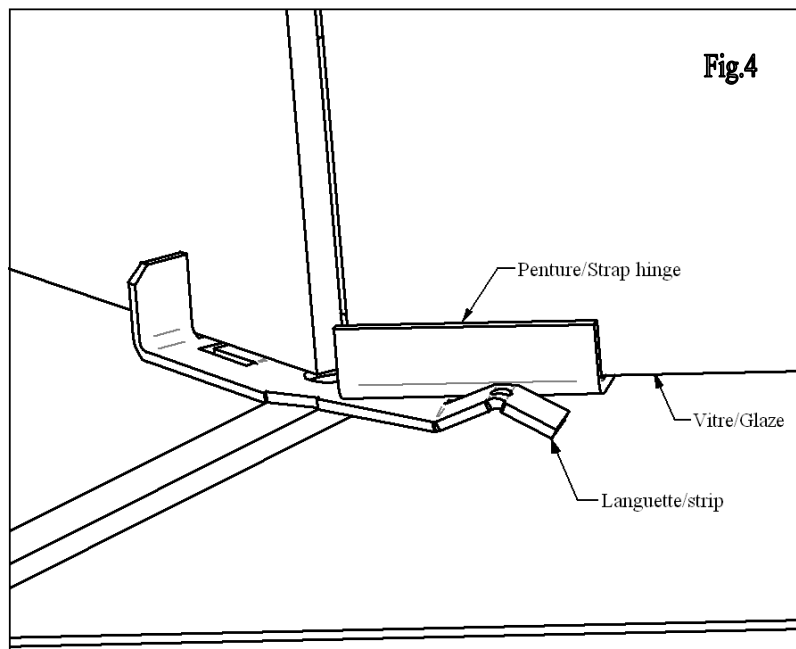
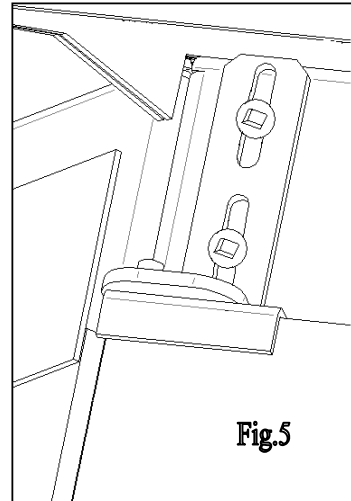


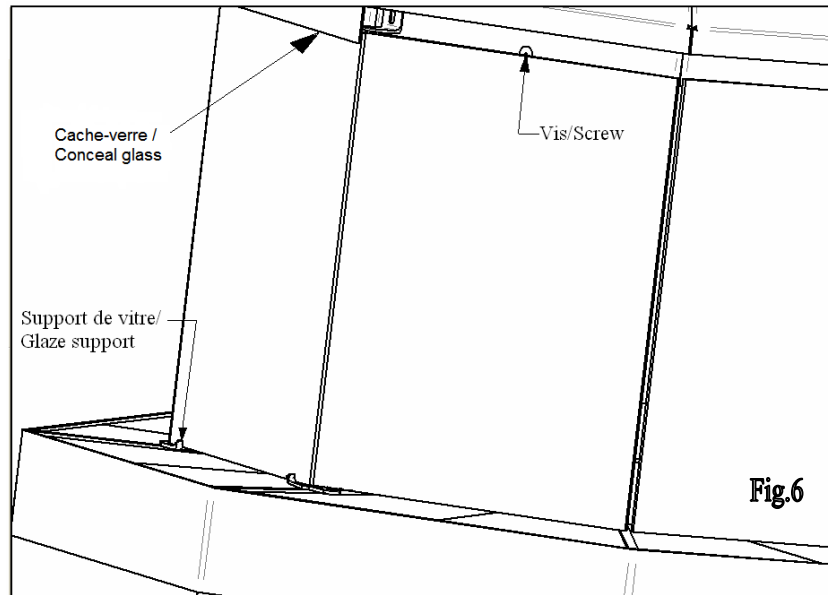
Fig.4

Bring down the adjustable hinge on the strap hinge and screw it with the two screws. (fig.5)

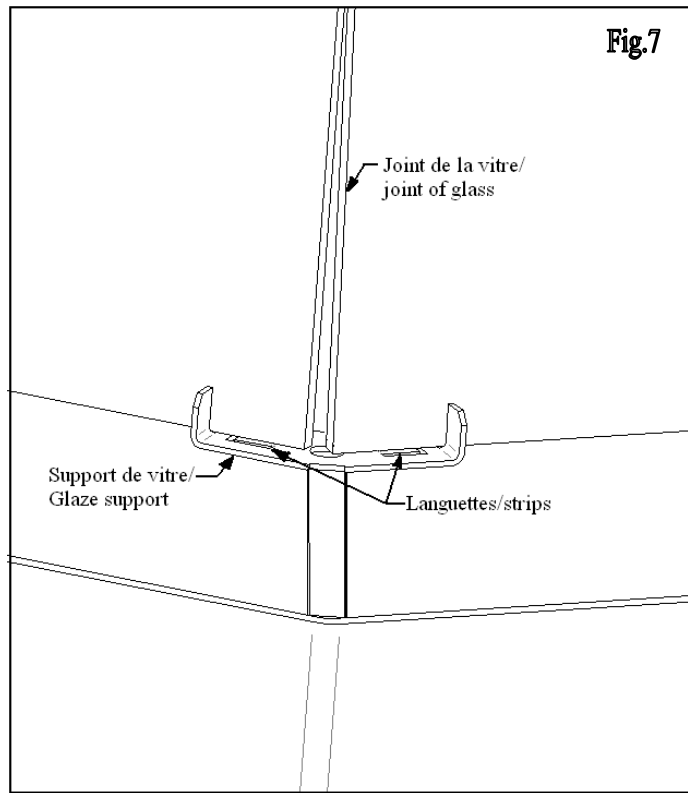


Adjust the roof's screw so that the door is right and parallel with the roof and the other glasses. (fig.6)

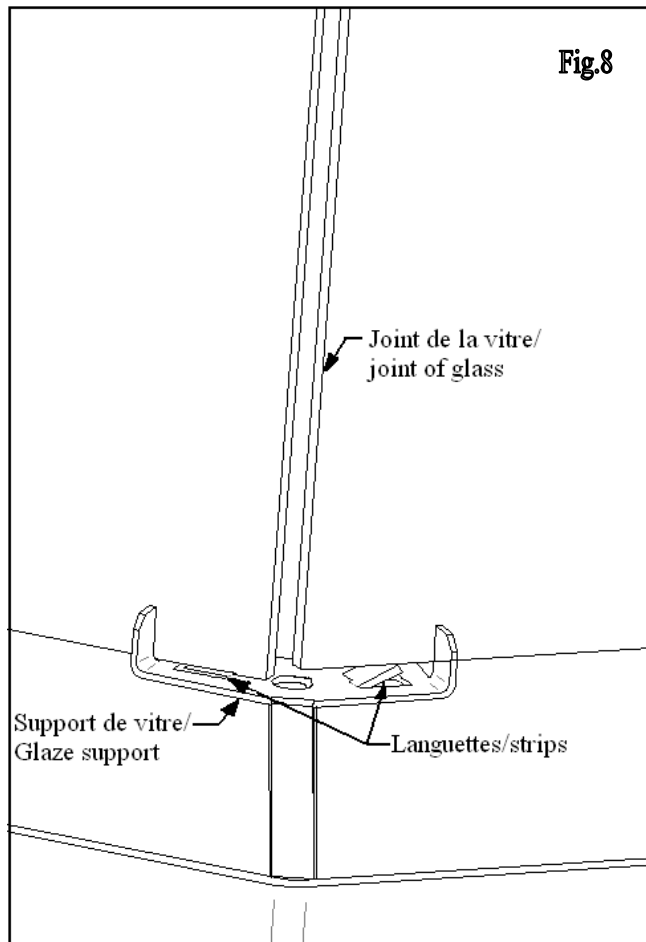
To install the other 6 glasses, place the glass between the roof and the conceal-glass and put it on the glass support. (fig.6)



If your glasses joints are not right between them, you can adjust them in order to put the glasses joints straight. (fig.7)

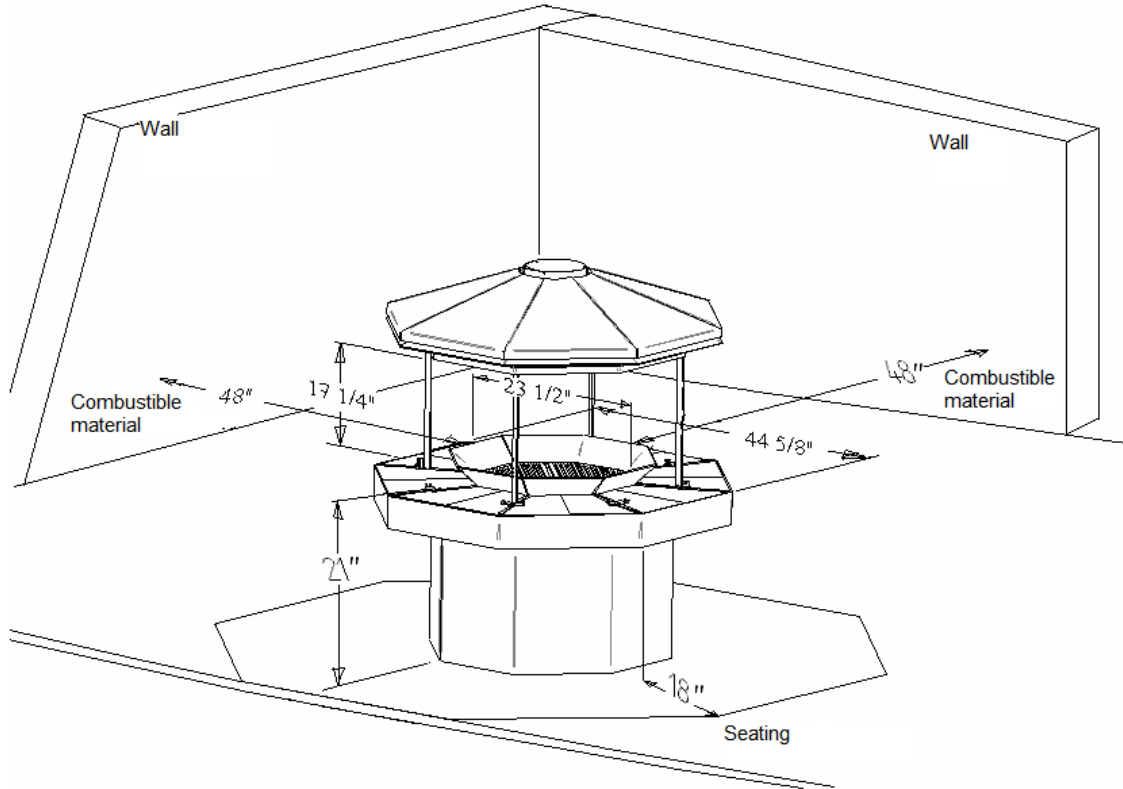


To straighten the glass joint, lift up the strips with a slotted screwdriver. (fig.8)



## CLEARANCES

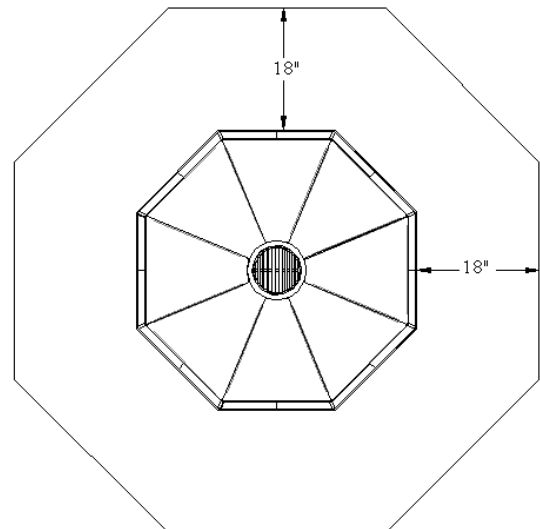
No matter where you install it, the *Olympien* will perfectly complete your decoration by its originality and its heat. This appliance only needs a 48 inches clearance from the flames.



## SEATING

You must install a fireproof plate under the appliance, which must exceed it of 18 inches at each side.

\*\*\*Use only non-combustible materials such as ceramics, marble or granite.



## LIGHTING

Now that you have completed the installation of the appliance according to the recommendations, you are ready for the lighting!

1. Place papers and small wood in the appliance.
2. Before lighting, be sure that the chimney is warm enough.
3. When the fire is well lit, gradually add bigger wood logs until an ember bed is formed.

## PREVENTIVE MEASURES AND MAINTENANCE

1. Verify the accumulation of creosote every week you use the appliance until you know at which frequency it must be cleaned (minimum once per year).
2. Remove every creosote deposit in order to prevent chimney fires.
3. To clean the glasses, J.A. Roby Inc. recommends using products sold for this purpose or an oven cleaner. Avoid cleaning with abrasives or when the glass is hot.
4. The *Olympien* central fireplace has an ashtray in its center, under the two grids. To empty, remove the ashtray, put the ashes in a steel container provided with a tight cap, place it outside and put back the ashtray at its place. You must never put other wastes in this container.

## INTERCHANGEABLES PARTS LIST

- WOOL
- PIPES
- GLASSES
- CERAMICS \*

**T**O ORDER PARTS, PLEASE CONTACT YOUR RETAILER.

\* Any ceramics of the same dimensions can be use in replacement.



## LIMITED LIFE WARRANTY

---

J.A. ROBY INC. warrants for life (following conditions written in the present manual) its high quality appliances against all manufacturing defectiveness. This warranty is only valid for the first buyer of the appliance with a purchase proof and the serial number of the appliance.

This warranty is valid only for a normal residential utilisation. All damages caused by a misuse, a wrong installation, a wrong maintenance, a negligence or an accident during transportation are not covered by this warranty.

This warranty does not cover scratches, corrosion or discoloration caused by excessive heat, abrasives and chemical cleaners. All defectiveness or damage caused by the use of parts other than the manufacturer's original parts will automatically cancel this warranty.

This warranty is subject to the following exceptions: **GLASSES, CERAMICS**, paint, decorations and installation.

The **1<sup>st</sup> year**, J.A. Roby Inc. engages to undertake the necessary repairs without additional charges. The appliance must be sent to our manufacture, located at 490, rue de l'Argon, Québec (Québec) G2N 2C9. The owner must prepay transportation charges. **J.A. Roby inc. will NOT accept any transportation charges.**

**The 2<sup>nd</sup> year**, J.A. ROBY Inc. assume **50%** of repairs according to the above conditions.

**The 3<sup>rd</sup> year**, J.A. ROBY Inc. assume **45%** of repairs according to the above conditions.

**The 4<sup>th</sup> year**, J.A.ROBY Inc. assume **40%** of repairs according to the above conditions.

**Subsequent years**, J.A.ROBY Inc. assume **30%** of repairs according to the above conditions.

*You MUST return this card in order to register your appliance for the Warranty.*

If your appliance has defectiveness, contact immediately your J.A. Roby distributor whom will guide you.

Before sending a product or a part at our manufacture, you must receive an authorization number from your sale representative or your J.A. Roby distributor. All merchandise sent without authorization will not be accepted and will be returned to the shipper.

---

### WARRANTY CARD

APPLIANCE MODEL: \_\_\_\_\_

DATE OF PURCHASE: \_\_\_\_\_

STORE: \_\_\_\_\_

INSTALLATION DATE: \_\_\_\_\_ SERIAL #: \_\_\_\_\_

NAME: \_\_\_\_\_

ADDRESS: \_\_\_\_\_

PROVINCE: \_\_\_\_\_ POSTAL CODE: \_\_\_\_\_

INSTALLED BY: \_\_\_\_\_

BUYER'S SIGNATURE: \_\_\_\_\_