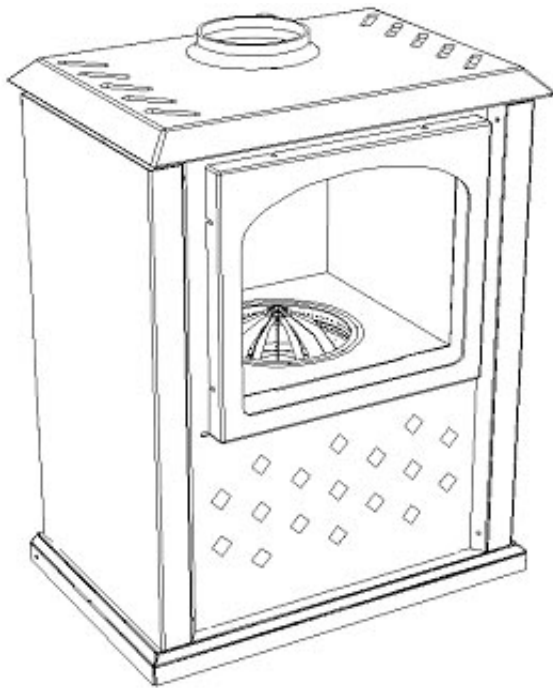




Warmth from the heart of J.A.ROBY INC.

## OWNER'S MANUAL

# JUNIOR OIL STOVE



Certified and tested according  
to CAN/CSA 140.3 & UL 896

September 4<sup>th</sup>, 2007 Review

## JUNIOR OIL STOVE

---

490, rue de l'Argon  
Québec (Québec) G2N 2C9  
Phone.: 418-849-8095 Fax : 418-849-0077  
[www.jaroby.com](http://www.jaroby.com)

# CONTENTS

CHARACTERISTICS.....	ERREUR ! SIGNET NON DEFINI.
WARNING .....	5
APPLIANCE PARTS .....	6
STOVE LOCATION .....	8
CHIMNEYS.....	9
CONNECTION TO THE CHIMNEY .....	10
OIL CONNECTION.....	11
STARTING.....	12
CARBURETOR ADJUSTMENTS (BY A TECHNICIAN) .....	13
FANS AND THERMODISC.....	14
PREVENTIVE MEASURES AND MAINTENANCE.....	15
LIMITED LIFE WARRANTY .....	16

**READ CAREFULLY THIS MANUAL AND KEEP IT FOR FURTHER REFERENCES.**

**INSTALLATION OF THIS APPLIANCE MUST BE DONE BY A QUALIFIED AND CERTIFIED TECHNICIAN AND IN CONFORMITY WITH THE OWNER'S MANUAL GUIDE PROVIDED WITH THIS APPLIANCE. THE INSTALLATION MUST BE IN ACCORDANCE WITH LOCAL AND NATIONAL APPLICABLE REGULATIONS AND THE APPLICABLE BUILDING CODE .**

**WARNING ! NEVER MODIFY THIS APPLIANCE !**

## FEATURES

<b>JUNIOR 8"</b>	<b>Oil #1</b>	<b>Oil #2</b>
Minimum consumption, cc/min. (l/h)	6.6 (0.4)	9.4 (0.56)
Maximum consumption, cc/min. (l/h)	20.5 (1.23)	20.0 (1.2)
Draught, w.c. (mm w.c.)	0.04 (1.0)	0.05 (1.3)
Power of entry, minimum consumption, BTU/h	14 200	20 800
Power of entry, maximum consumption, BTU/h	44 100	44 200
Power at the exit, maximum consumption, BTU/h (without fans)	31 100	30 300
Power at the exit, maximum consumption, BTU/h (with fans)	31 300	30 700
Diameter of the conduit of exhaust	5" (127 mm)	
Installation with a type " L " chimney	No	

<b>JUNIOR 10"</b>	<b>Oil #1</b>	<b>Oil #2</b>
Minimum consumption, cc/min. (l/h)	6.8 (0.41)	9.4 (0.56)
Maximum consumption, cc/min. (l/h)	22.5 (1.35)	20.0 (1.2)
Draught, w.c. (mm w.c.)	0.04 (1.0)	0.05 (1.3)
Power of entry, minimum consumption, BTU/h	14 600	20 800
Power of entry, maximum consumption, BTU/h	48 400	44 200
Power at the exit, maximum consumption, BTU/h (without fans)	33 700	30 900
Power at the exit, maximum consumption, BTU/h (with fans)	34 100	31 400
Diameter of the conduit of exhaust	5" (127 mm)	
Installation with a type " L " chimney	Non	

**CLEARANCES**  
(Junior 8" and Junior 10")

Floor	Combustible
Lateral wall (left or right)	8" (203 mm)
Opposite wall	36" (914 mm)
Back wall	10" (254 mm)
Front	36" (914 mm)
Above	36" (914 mm)
Simple wall conduit	9" (229 mm)

## **WARNING**

Before the installation, please take a few minutes to read carefully this handbook. Keep it in a sure place and easily reachable for future references. If this appliance is not properly installed, it could cause fire damages to the property, injuries and death. To reduce fire hazards, follow instructions contained in this handbook.

Contact an official inspector (ex: a fireman) or your insurance company for installation permit. Always respect the provincial and municipal building codes of your region.

### **Do not install the appliance in a mobile house.**

The existing chimney should be well inspected before any installation. In doubt, consult a specialist.

Minimum clearances found in this manual must be observed.

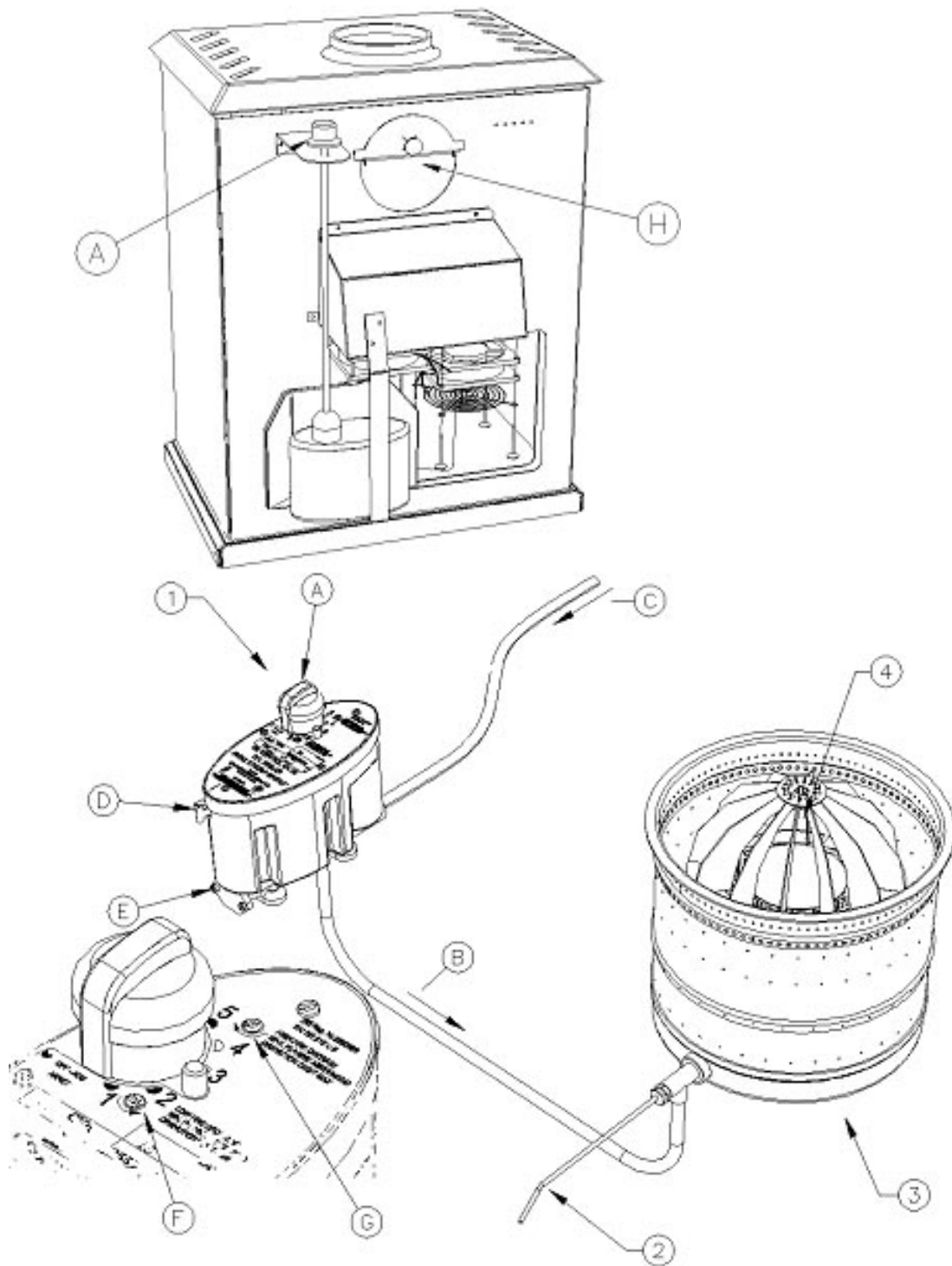
Be sure to have a sufficient air supply in the room in order to avoid a negative pressure.

### **WARNING : Very hot while in function**

- Keep children far away from the appliance.
- Never let the appliance without supervision when the door is open.
- Always close the door after the lighting period.
- Do not use chemical products or other liquid to light the fire.
- Do not burn garbages or inflammable fluids like gas, naphtha or motor oil.
- Always keep combustible material (clothes, furniture, wood, matches, plastics, etc,...) at a minimal distance of 91,5 cm (3 feet) from the appliance.

# APPLIANCE PARTS

**Figure 1**



## ***DETAILS***

1. CARBURETOR: Controls oil flow to the burner.
  2. CLEANING ROD: Make it turn to clean oil supply conduct to the burner. To use regularly. (**Do not pull**)
  3. BURNER: Where combustion takes place. Ensures air supply.
  4. CATALYST: Regularises combustion. To be placed in the center of the burner.
- 
- A. CONTROL BUTTON: Regulates oil flow from 0 (stop) to 6 (maximum).
  - B. OIL EXIT: Takes oil from the carburetor to the burner.
  - C. OIL SUPPLY CONDUCT: Takes oil from the tank to the carburetor.
  - D. ON / OFF SWITCH: Lifted up - Stop  
Pushed down - On
  - E. FILTER: Removes the dirt present in the oil. Must be cleaned once a year or more, if needed.
  - F. MINIMUM FLOW CONTROL : To be adjusted by a technician
  - G. MAXIMUM FLOW CONTROL: To be adjusted by a technician.
  - H. DRAUGHT REGULATOR: Ensures a constant draught. Adjust it using the counterweight.

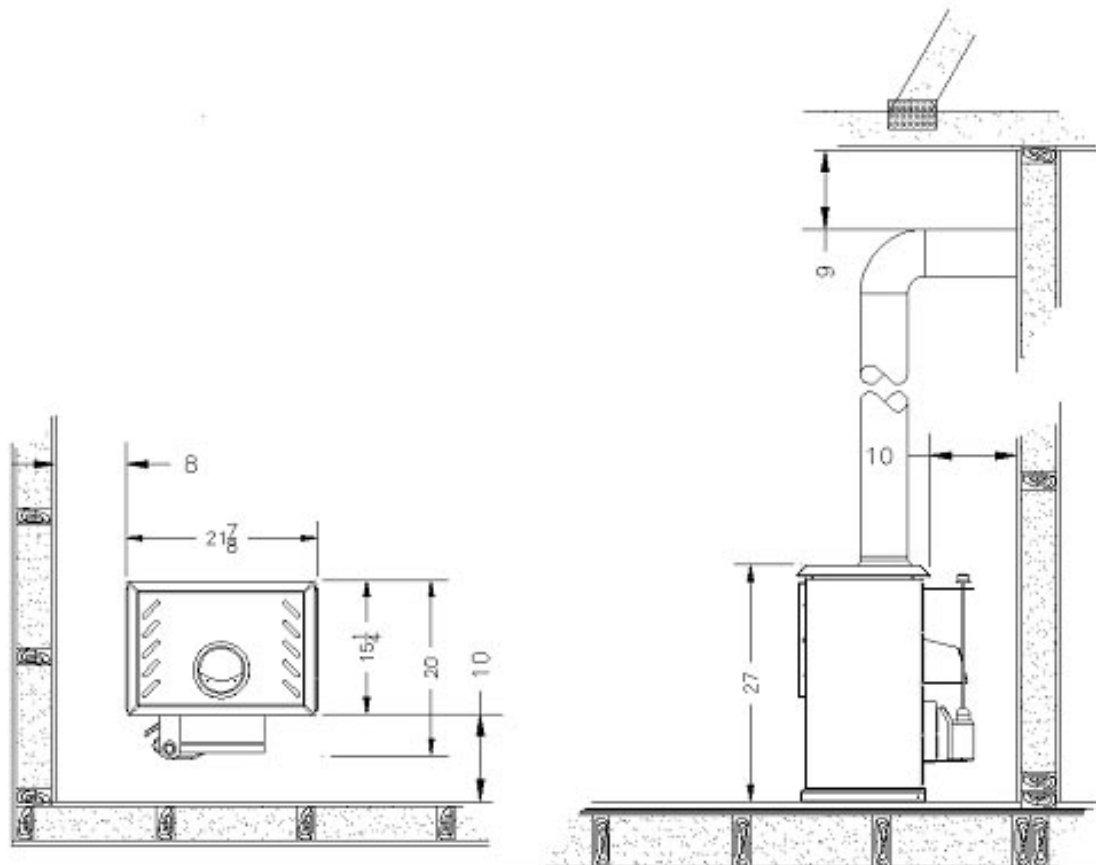
## STOVE LOCATION

You have just acquired a J.A. Roby Inc. oil stove. The choice concerning the location of your J.A. Roby Inc. stove is the key to an efficient, safe and easy use of your new appliance.

Your stove should be installed in a strategic and central place in order to facilitate the heating of the whole house. This place should be well ventilated and easy of access. Connection to chimney should be easy (Chimney flue should not pass through a dividing wall). The length of the chimney flue and use of elbows should be reduced to their minimum.

Finally, you must plan the emplacement of alimentation conduct, which will connect the stove to the oil tank. Figure 2 shows two different ways to connect the stove and the clearances to respect.

**Figure 2**





## CHIMNEYS

The oil stove you just acquired has been highly tested in order to ensure its operation and efficiency. However, the appliance remains dependent of exterior factors such as fuel supply and chimneys.

Chimney draught is essentially caused by the fact that hot gases emitted by the appliance are lighter than the exterior air. Therefore, they naturally tend to rise up. A very cold chimney of an excessive diameter or of an insufficient length (See figure 3), can interfere with a good operation of the appliance, mostly when lighting. In some cases, you will have to wait up to a few hours for the draught to be stable and for the appliance to normally function.

This oil stove does not require an important draught, a draught regulator will maintain the draught to the appropriate level. However, if the draught is insufficient, it is useless to try to adjust the regulator. In that case, you will have to improve your chimney.

The draught is adjusted by a counterweight to get 0.04 W-C for oil No 1 and 0.05 W-C for oil No 2. A technician can adjust it with adequate tools.

### NOTE :

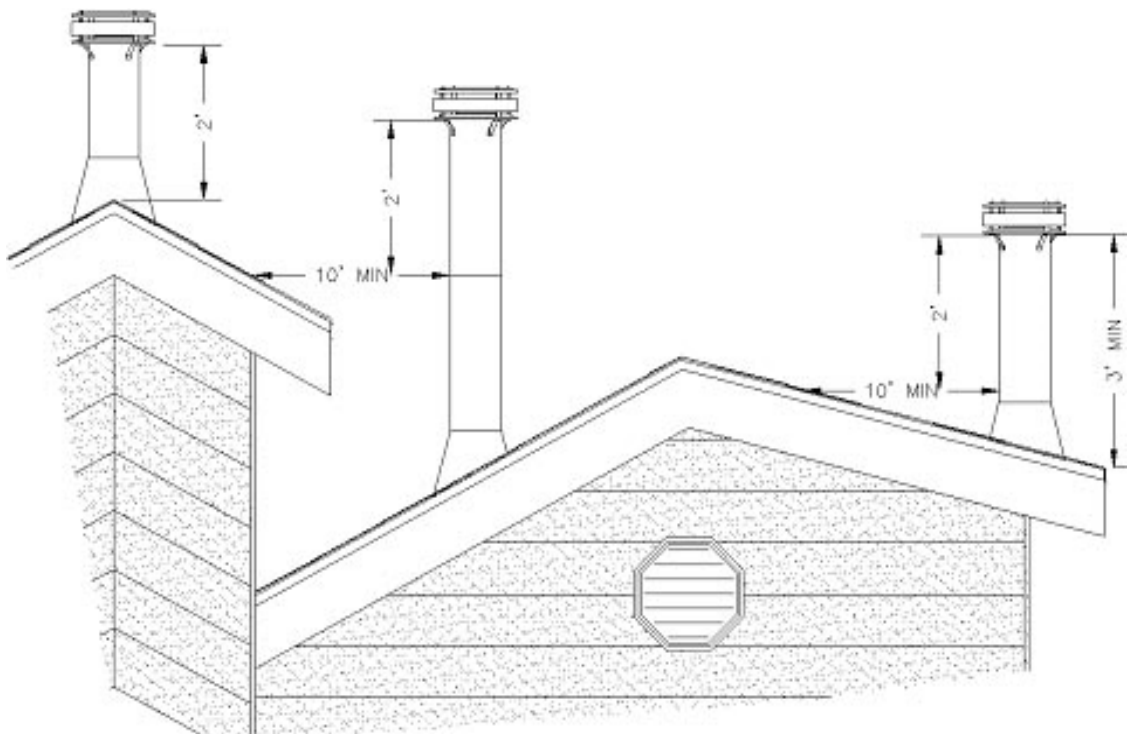
**It is very important to inspect and clean the chimney periodically. A dirty chimney or in bad condition can be the cause of fire and important damages.**

## CONNECTION TO THE CHIMNEY

Before connecting the stove to the chimney, you must be sure of the following :

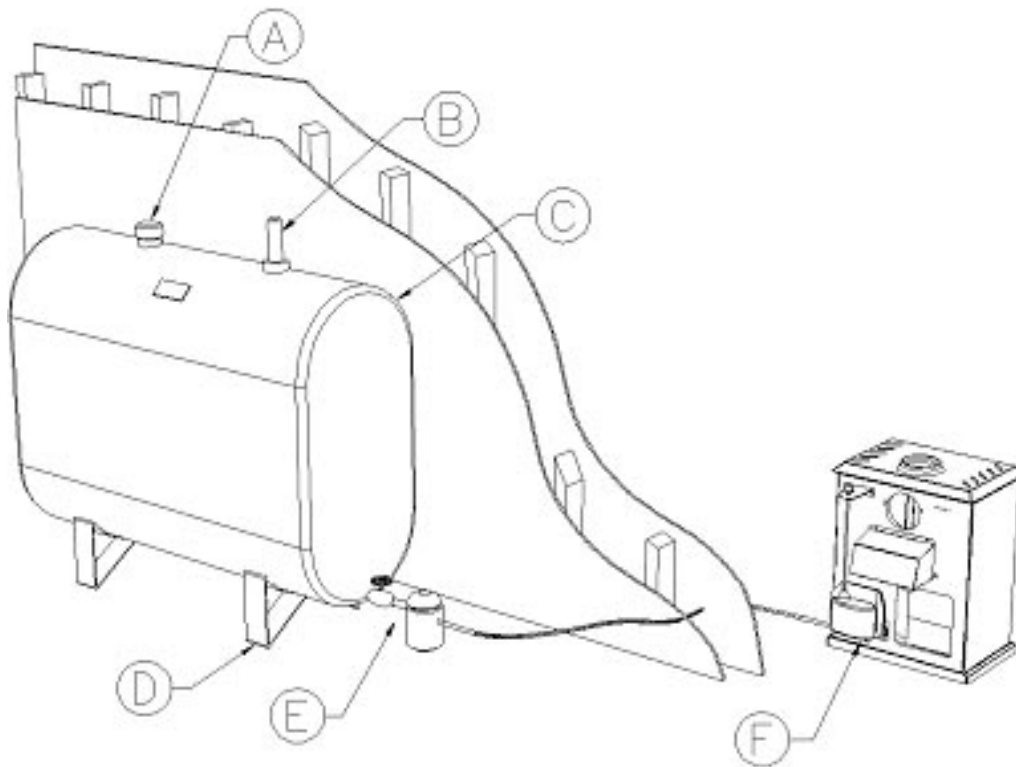
- Chimney to which the appliance will be connected is clean, of appropriate dimensions and in a good condition of operation.
- Chimney section that overhangs the roof should be of a sufficient length.
- Connection will be done following the manufacturer's instructions and will respect local regulations.
- For a horizontal chimney flue, there should be a slope of  $\frac{1}{4}$  inch by foot, from the stove to the chimney.
- The appliance should be levelled.

**Figure 3**



## OIL CONNECTION

**Figure 4**



The oil alimentation system consists in a closed steel tank provided with a filling cap, an oil gauge and a hole at its bottom. The oil tank must be higher than the carburetor in order to get a gravity oil supply.

- A. Filling cap
- B. Oil gauge
- C. Oil tank must be well fixed to avoid any moving or falling
- D. Support
- E. Oil valve and oil filter
- F. Carburetor

### **WARNING**

**Make sure that all joints and connections are tight  
before proceeding to lighting**

## STARTING

### A technician should do the first lighting

Before proceeding to the first lighting, make sure that all parts are in place (figure 1), that the connection to the chimney is secure and that all oil supply conduct joints are tight.

1. Push down the ON/OFF switch to ON.
2. Turn the control button to 1.
3. Open the oil supply.
4. Wait until the oil gets to the burner, then light it using a long match and close the door.
5. Wait at least 15 minutes to change the oil flow. To be done by a technician.
6. Adjust draught regulator with counterweight. When the appliance gets to its maximum "6", that the chimney is hot and outside temperature is calm, the draught regulator must be closed up to the opening limit. To be done by a technician.

To turn off the appliance, put back the control button to the position "0". If the appliance is not in service for a long period, it is strongly recommended to place the carburetor in position OFF and to close the arrival of oil.

### **WARNING!**

**WHILE THE APPLIANCE IS IN FUNCTION, KEEP AWAY  
CHILDREN, CLOTHING AND FURNITURE.**

### **NOTES:**

Before every lighting, make sure there is no oil excess at the bottom of the burner. If there is an excess of oil, it must be sponge up before lighting to avoid stove damages.

**NEVER TRY TO LIGHT UP THE APPLIANCE WHILE HOT.**

During the first hours of utilisation of your oil stove, it is normal to perceive a light burnt paint odor. Although it is temporary, it is preferable to air well.

## **CARBURETOR ADJUSTMENTS (BY A TECHNICIAN)**

Since the carburetor has been adjusted at the manufacture, only small adjustments are necessary and only in particular cases. However, if adjustments are needed, a competent technician should accomplish it.

### ***ADJUSTING THE MINIMUM FLOW***

Place control button to "1" and wait 10 minutes. The flame should be mostly yellow with a few blue tongues and should not smoke. If it is not the case, the minimum flow screw should be adjusted using a screwdriver, turning a quarter of turn each time (see figure 1 no. F) Always wait at least 5 minutes before conclusion.

### ***ADJUSTING THE MAXIMUM FLOW***

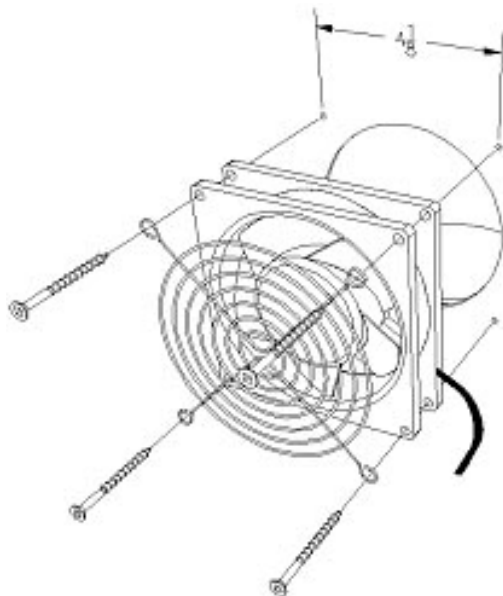
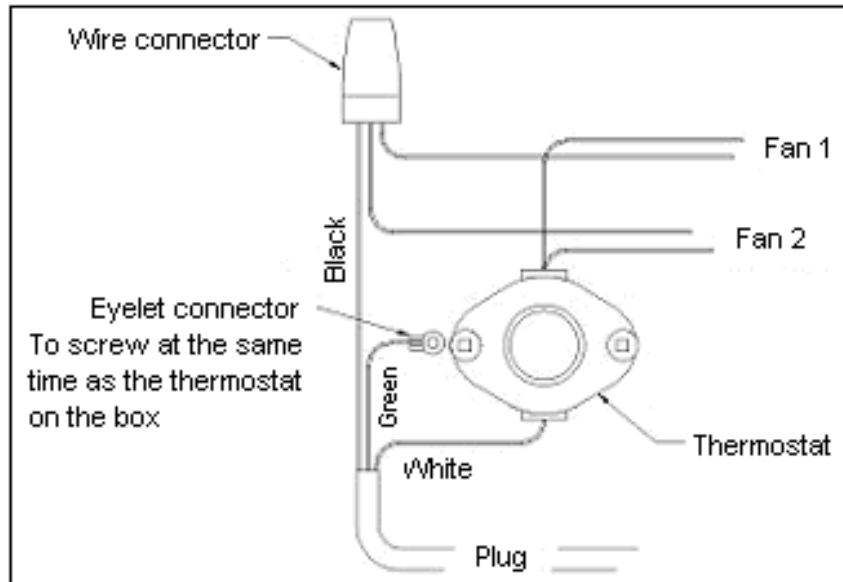
Place control button to "6" and wait 10 minutes. The flame should be yellow at its bottom and at its top. It should not smoke. If the flame smokes, you should reduce the maximum flow by turning the adjusting screw using a screwdriver, turning a quarter of a turn each time (see figure 1 no. G). Always wait 5 minutes before conclusion.

### **IMPORTANT**

**IT IS USELESS TO TRY TO INCREASE THE FLOW BEYOND THE MAXIMUM FIXED BY THE MANUFACTURER. A MAXIMUM WAS ESTABLISHED FOR SAFETY REASONS.**

## FANS AND THERMODISC

**Figure 5**



### FANS

1. Place 4 screws at the grill extremities.
2. Screw the grill onto the fans.
3. Fix it onto the back of the stove.



### THERMODISC

4. Fix the thermodisc box with 2 screws

## **PREVENTIVE MEASURES AND MAINTENANCE**

J.A.Roby's oil stove does not require a lot of maintenance. Every month, clean up oil supply conduct to burner by activating the cleaning rod (see figure1).

To clean up the glass, J.A.Roby recommends using products specially made for such work or an oven cleaner. Avoid cleaning glass when it is hot or with an abrasive.

Once a year or when needed, the carburetor filter and the burner must be deeply cleaned (see figure 1 no E). Make sure every burner opening is clear. Do not use fabrics that leaves shreds on the surfaces; it could obstruct the openings. J.A. Roby Inc. recommends this annual cleaning to be accomplished by a specialist.

### **NOTES:**

- **Always keep flammable material such as furniture, clothing, plastics..., at least 3 feet away from the appliance.**
- **Do not burn garbage into the appliance.**
- **Keep the door closed when the appliance is in function.**
- **Do not touch the stove when lightened. Forewarn children and visitors.**
- **Use oil # 1 or # 2.**
- **Do not use gasoline, recycled oil or oil containing gasoline.**



Warmth from the heart of J.A.ROBY INC.

## LIMITED LIFE WARRANTY

---

J.A. ROBY INC. warrants for life (following conditions written in the present manual) its high quality appliances against all manufacturing defectiveness. This warranty is only valid for the first buyer of the appliance with a purchase proof and the serial number of the appliance.

This warranty is valid only for a normal residential utilisation. All damages caused by a misuse, a wrong installation, a wrong maintenance, a negligence or an accident during transportation are not covered by this warranty.

This warranty does not cover scratches, corrosion or discoloration caused by excessive heat, abrasives and chemical cleaners. All defectiveness or damage caused by the use of parts other than the manufacturer's original parts will automatically cancel this warranty.

This warranty is subject to the following exceptions: glass, paint, firebricks, door's plating, decorations, ceramic cord and installation. The fans and electrical parts are covered by a 90 days warranty (from invoice date).

The **1<sup>st</sup> year**, J.A. Roby Inc. engages to undertake the necessary repairs without additional charges. The appliance must be sent to our manufacture, located at 490, rue de l'Argon, Québec (Québec) G2N 2C9. The owner must prepay transportation charges. **J.A. Roby inc. will NOT accept any transportation charges.**

**The 2<sup>nd</sup> year**, J.A. ROBY Inc. assume **50%** of repairs according to the above conditions.

**The 3<sup>rd</sup> year**, J.A. ROBY Inc. assume **45%** of repairs according to the above conditions.

**The 4<sup>th</sup> year**, J.A.ROBY Inc. assume **40%** of repairs according to the above conditions.

**Subsequent years**, J.A.ROBY Inc. assume **30%** of repairs according to the above conditions.

You MUST return this card in order to register your appliance for the Warranty.

If your appliance has defectiveness, contact immediately your J.A. Roby Inc. distributor whom will guide you.

Before sending a product or a part at our manufacture, you must receive an authorization number from your sale representative or your J.A. Roby distributor. All merchandise sent without authorization will not be accepted and will be returned to the shipper.

---

## WARRANTY CARD

APPLIANCE MODEL: \_\_\_\_\_

DATE OF PURCHASE: \_\_\_\_\_

STORE: \_\_\_\_\_

INSTALLATION DATE: \_\_\_\_\_ SERIAL #: \_\_\_\_\_

NAME: \_\_\_\_\_

ADDRESS: \_\_\_\_\_

PROVINCE: \_\_\_\_\_ POSTAL CODE: \_\_\_\_\_

INSTALLED BY: \_\_\_\_\_

BUYER'S SIGNATURE: \_\_\_\_\_