



Warmth from the heart of J.A.ROBY INC.

PLEASE READ CAREFULLY AND KEEP  
THIS MANUAL FOR FUTURE REFERENCE

# Instruction Manual

## GRIZZLY TOR FURNACE



**NATIONAL  
FIREPLACE  
INSTITUTE**  
**NFI**  
**CERTIFIED**  
[www.nficertified.org](http://www.nficertified.org)

We recommend that our woodburning hearth products be installed and serviced by professionals who are certified in the U.S. by the National Fireplace Institute® (NFI) as NFI Woodburning Specialists or who are certified in Canada by Wood Energy Technical Training (WETT).

 Wood Energy  
Technical Training  
[www.wettinc.ca](http://www.wettinc.ca)



**Intertek**

Certified and tested according  
to CAN/CSA B415.1 standards  
CAN/CSA B366.1 standards

---

490, rue de l'Argon, Quebec (Quebec) Canada G2N 2C9  
Phone: 418-849-8095 Fax.: 418-849-0077  
[www.jaroby.com](http://www.jaroby.com)

# TABLE OF CONTENTS

SPECIFICATIONS – GRIZZLY TOR FURNACE.....	3
DIMENSIONS.....	3
CLEARANCES.....	4
WARNING.....	4
NOTICE.....	6
CREOSOTE.....	6
CHIMNEY.....	7
INSTALLATION.....	7
VERTICAL INSTALLATION INSIDE A MASONRY CHIMNEY .....	8
EXTERIOR VERTICAL INSTALLATION .....	8
VERTICAL INSTALLATION ON A CATHEDRAL ROOF .....	9
CROSS STYLE INSTALLATION.....	9
VERTICAL INSTALLATION .....	10
CLEARANCES.....	11
INSTALLATION OF THE FIREBOX INTERIOR.....	12
INSTALLATION OF THE APPLIANCE.....	15
FANS AND THERMODISC.....	18
ELECTRICAL PLAN AND THERMOSTAT CONNECTION .....	18
L160 AND F120 THERMODISC LOCATION.....	19
DIRECT VENT DOOR.....	20
SEATING .....	20
LIGHTING .....	21
CHANGING THE FAN SPEEDS .....	22
FILTER REPLACEMENT .....	23
AIR CIRCULATION OF THE HEATING SYSTEM .....	24
COMBUSTION AIR SUPPLY.....	25
PREVENTIVE MEASURES AND MAINTENANCE .....	26
CLEAN-UP PROCEDURE .....	26
GLASS REPLACEMENT.....	26
INTERCHANGEABLE PARTS LIST.....	28
WARRANTY.....	29

**PLEASE READ AND KEEP THIS MANUAL FOR FUTURE REFERENCE.**

INSTALLATION OF THIS APPLIANCE MUST BE DONE BY A CERTIFIED TECHNICIAN AND IN CONFORMITY WITH THE OWNER'S MANUAL GUIDE GIVEN WITH THIS APPLIANCE. THE INSTALLATION MUST BE IN AGREEMENT WITH LOCAL AND NATIONAL REGULATIONS APPLICABLE FOR SOLID FUEL BURNING APPLIANCES AND EQUIPMENT (CAN/CSA-B365, NFPA211 (USA)) AND THE APPLICABLE BUILDING CODE.

**WARNING : NEVER MODIFY THIS APPLIANCE!**

## SPECIFICATIONS – GRIZZLY TOR FURNACE

Combustible	Wood
Recommended surface	1500 to 3700 ft <sup>2</sup> (139 to 347m <sup>2</sup> )

<b>Result based on the amount of heat produced in the plenum</b>	
Particulate emission	0.07g/MJ
Minimum heating capacity	11 300 BTU/h
Maximum heating capacity	44070 BTU/h

<b>Results Based on the total amount of heat produced</b>	
Efficiency	73,9%
Minimum heating capacity	17 235 BTU/h
Maximum heating capacity	70 664 BTU/h
Potential Energy Input (dry wood) @10lb/cuft & 8600 BTU/lb	361200 BTU
Evacuation pipe diameter	6 inches (15.24 cm)
Chimney minimal height	12 ft. (3.66m)
Top air exit	13½ in X 13½ in (34.3 X 34.3cm)

## DIMENSIONS

Exterior height	46 in (116.8cm) without plenum 52 ¾ in (133cm) with plenum
Exterior width	29 1/8 in (74 cm) without electrical box 33 5/8 in (85.7 cm) with electrical box
Exterior depth	39 1/8 in (99.4 cm) without fan box 48 7/8 in (124.14 cm) with fan box
Door opening	15¾ in X 9½ in (40 X 24.1 cm)
Inside height	15 in (38.1 cm)
Inside width	20½ in (52 cm)
Inside depth	25½ in (64.7 cm)
Maximum length of log	25 in (63.5 cm)
Combustion duration	6 to 22 hours
Weight	550 lbs (250 kg)

## CLEARANCES

Back	1 in (2.54cm)
Lateral	6 in (15.2cm)
Roof	84 in (2.14m)

## WARNING

Read this manual before installing and/or using this appliance and keep it in a safe place within reach for future references. If this appliance is not properly installed, it could result in fire, property damage, injuries and loss of life. To reduce fire hazards, follow instructions contained in this handbook.

Contact an official inspector or your insurance company regarding applicable local regulations of installation permit. Always respect the provincial and municipal building codes of your region.

Do not connect this appliance to either a chimney already serving another wood appliance nor a hot air distribution system.

The existing chimney should be well inspected before installation. In doubt, consult a specialist.

The room where the appliance must be installed must measure a minimum of 64 ft<sup>2</sup> and must be very well ventilated. Do not install this appliance in a smaller room. Minimum clearances found in this manual must be observed. **Do not install this appliance in a mobile home.**

Never use a non-isolated exterior conduct or a single wall flue pipe as an exterior exit.

Place the firebricks in the combustion chamber before lighting the appliance (if they are not in place yet).

### **ATTENTION: Very hot while in function**

Keep children away from the appliance.

Never let the appliance without supervision when the door is open.

Always close the doors after the lighting period.

Do not use chemical products or other liquid to light the fire.

Do not burn trash or inflammable fluids like gas, naphtha or motor oil.

Always keep combustible material (clothes, furniture, wood, matches, plastics, etc...) at a minimal distance of 91.5 cm (3 feet) from the appliance.

### **This appliance is certified to burn wood. Do not use any other combustible.**

Wood should not be stocked within the minimums clearances or in the necessary space for loading and ash disposal. Always use dried wood. Do not burn green or wet wood. Do not use construction debris such as pieces of 2x4, plywood.

If the appliance starts to turn red, it is too charged. Do not add fuel. Close the door and the wall thermostat immediately in order to close all the air until everything becomes normal again.

**Do not load the appliance over the firebricks height.**

Ash must be removed frequently, put in a steel container provided with a tight lid and placed outside at once. You must never place other waste in this container.

Under certain circumstances, it needs additional air supply for combustion. Leave a window or a door slightly open to balance the pressure in the house, especially if:

- A fan already blows air towards outside (kitchen, bathroom).
- You want to avoid a repression of smoke when lighting the appliance and when reloading the wood.

It is recommended to have a smoke detector near the appliance.

**You should contact your municipal or provincial fire department for the procedure to follow in case of a chimney fire. Prepare an emergency plan.**

**In case of a chimney fire:**

- Close the door and the air intakes hermetically.
- Water the combustible material adjacent to the chimney.
- Ring the alarm, evacuate the house if necessary and call the firemen.
- Never touch the pipes until the fire is completely extinct.
- Do not use the chimney until it has been inspected or repaired.

Keep all the doors closed while the appliance is in function. Frequently verify the ceramics cords; they must always be in good condition.

The chimney pipe should not be placed near water, gas or oil pipes, electric wire, other types of ducts or combustible materials in the roofs, the attics, the walls or the floors. If you have to make it pass through a wall or a part of combustible construction, do not forget that the installation must be in accordance with the CAN/CSA-B365. Use at least 12 feet of 6 inch diameter vertical chimney.

**NOTE: FOLLOW THESE INSTRUCTIONS IN ORDER TO AVOID FIRE HAZARDS, WOUNDS AND PROPERTY DAMAGES.**

## NOTICE

The *GRIZZLY Furnace* was designed to operate safely when the doors are closed and when it's burning only firewood. Any change, modification or unauthorized installation will automatically cancel the certification of the appliance, the warranty and the homologation. In addition, the appliance might become dangerous.

During the first hours of operation, you must heat it gradually. In order to allow an appropriate baking of the paint and to facilitate its adhesion to metal, do not heat the appliance with a strong fire. It will also avoid thermal shock which could lift up the paint or get the colour fade.

Make sure that the room is ventilated enough in order to eliminate odour and smoke coming from the paint during the first hours of utilization. It is normal that a light smoke is released from the paint during the first hours of use.

Although this unpleasantness is merely temporary, open the windows and the doors in order to ensure good ventilation. This special paint is conceived to tolerate temperatures until 1200°F (650°C).

## CREOSOTE

The wood burning slowly produces tar and other organic vapor, which forms a whole substance called "creosote". The vapor gets condensed in the cool chimney when the wood is burning slowly. In this way, creosote residues are formed on the walls. Creosote can take several forms: tarry liquid, soot dust or deposits in crystal form. When in fire, the creosote releases a very strong heat and can be the cause of a chimney fire.

- Do not knock the glass or close the doors violently.
- Do not use the appliance when the glass is broken or damaged.
- Do not build the fire too close to the glasses.
- Keep the door closed when using the appliance.

# CHIMNEY

Use only approved chimney of the same dimensions as the appliance exit, which means you should use a 6 inch diameter chimney for your *GRIZZLY Furnace*. A Chimney must be tested upon the ULC S629 CSA, UL103 norms. The *GRIZZLY Furnace* wood appliance can be connected to a masonry chimney following the ULC S635, ULC S640 and the UL 1777 norms. Do not forget to keep space for the sweeping of the chimney.

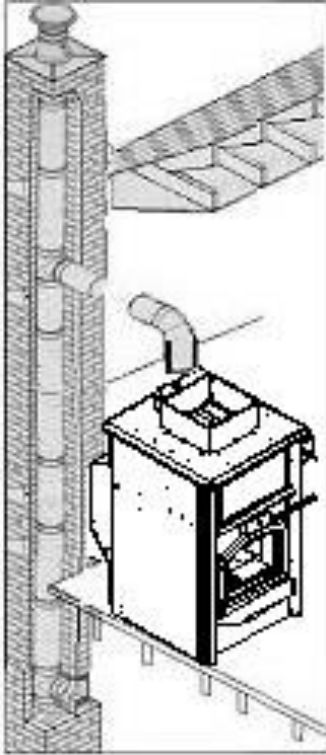
If possible, it is preferable to avoid an outside chimney or built on an exterior wall, especially in cold areas. Outside chimneys generally have a less efficient draught. They can even have an inverse draught because it is hard to heat them enough to reach operating temperature. A greater accumulation of creosote, a less efficient draught and a weaker performance are the typical problems of cold chimney. Draught is proportional to the total chimney height as well as its temperature. It is therefore possible to get a better draught by increasing the chimney's height and by reducing the heat loss with an insulated lining. The chimney has to be installed with a stainless steel lining. Make sure that all smoke pipe joints are really airtight. Leaking reduces the efficiency of the appliance and could even make its utilization dangerous.

## INSTALLATION

A good installation is extremely important for a safe and efficient use of your J.A. Roby Inc. appliance. If you are in doubt regarding the installation of the appliance, contact professional installation service.

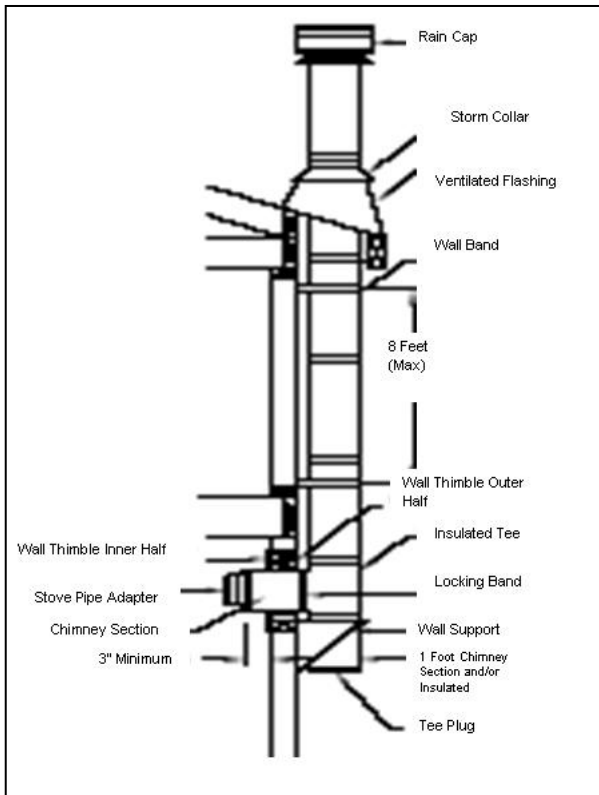
1. Place an incombustible plate underneath the appliance which exceeds 18 inches (46 cm) at the front and 8 inches (20 cm) on the sides.
2. Withdraw firebricks placed inside the appliance in order to reduce the weight and to facilitate the installation.
3. It is possible to make 4 round-shaped openings of 6 inch diameter or 2 round-openings of 8 inch diameter on the plenum while respecting the air pressure and air volume.
4. The free space shall not be reduced except under the approval of the responsible authorities for the application of the building code.
5. Install the chimney and a wall thimble for an installation passing through a wall (follow the instructions of the chimney manufacturer).
6. Reinstall the firebricks in accordance with the recommended instructions for your model.
7. The appliance should not be connected to a hot air conduct which has been already existed or another generator of hot air.

## VERTICAL INSTALLATION INSIDE A MASONRY CHIMNEY



The GRIZZLY *Furnace* wood appliance must be installed in accordance with the applicable local laws or the CAN/CSA-B365, ULC S635, ULC S640, UL 1777 norms. Install the chimney following the manufacturer's instructions.

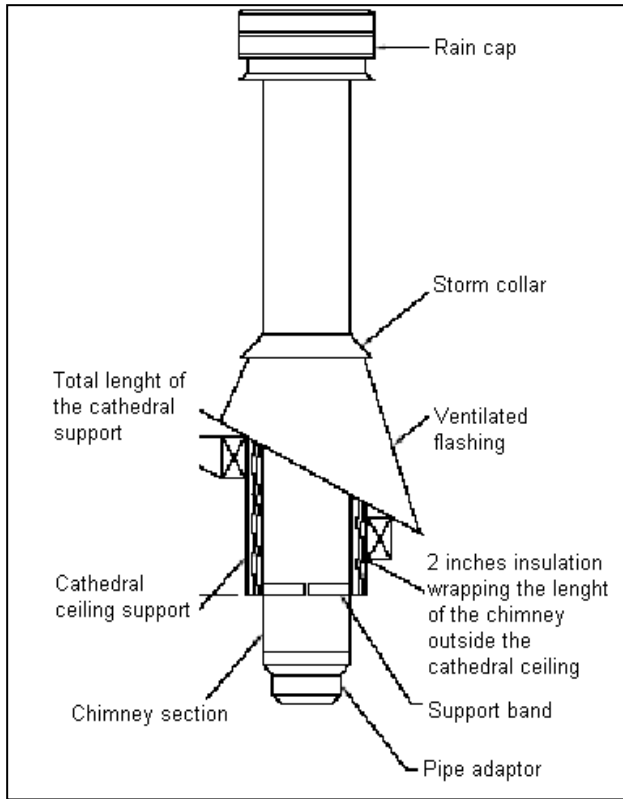
## EXTERIOR VERTICAL INSTALLATION



The GRIZZLY *Furnace* wood appliance must be installed in accordance with the applicable local laws or the CAN/CSA-B365 norm. Install the chimney following the manufacturer's instructions.

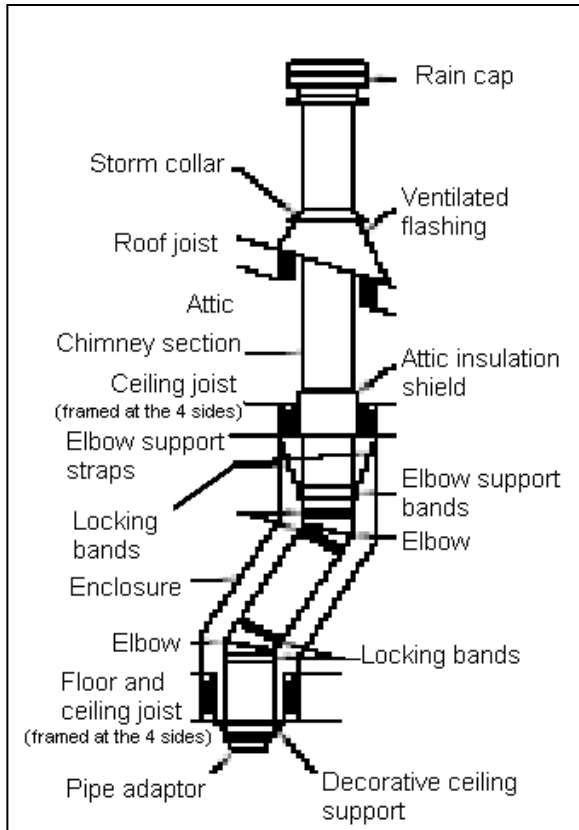


## VERTICAL INSTALLATION ON A CATHEDRAL ROOF



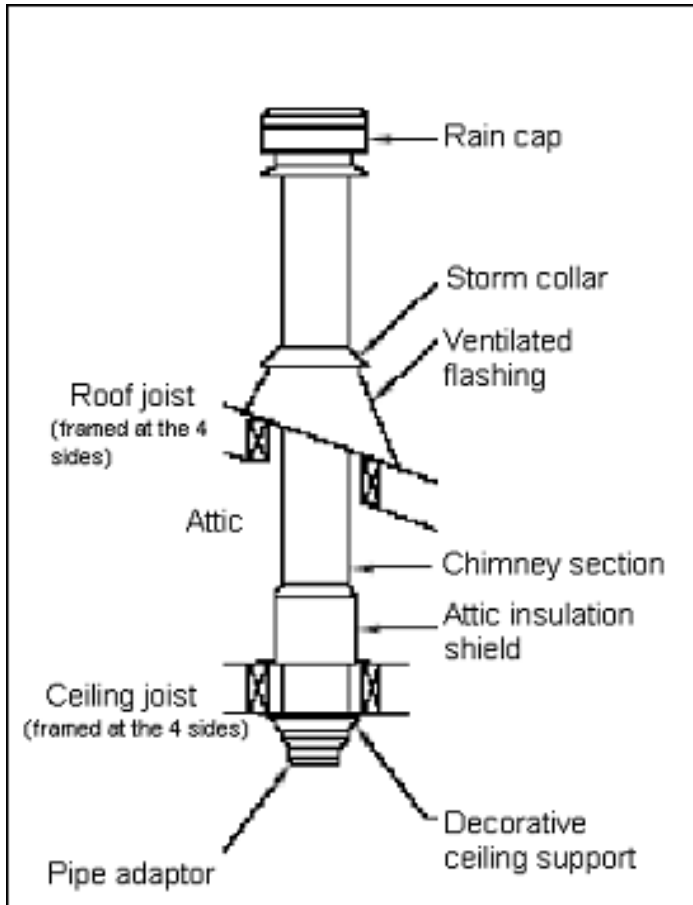
The GRIZZLY *Furnace* wood appliance must be installed in accordance with the applicable local laws or the CAN/CSA-B365 norm. Install the chimney following the manufacturer's instructions.

## CROSS STYLE INSTALLATION



The GRIZZLY *Furnace* wood appliance must be installed in accordance with the applicable local laws or the CAN/CSA-B365 norm. Install the chimney following the manufacturer's instructions.

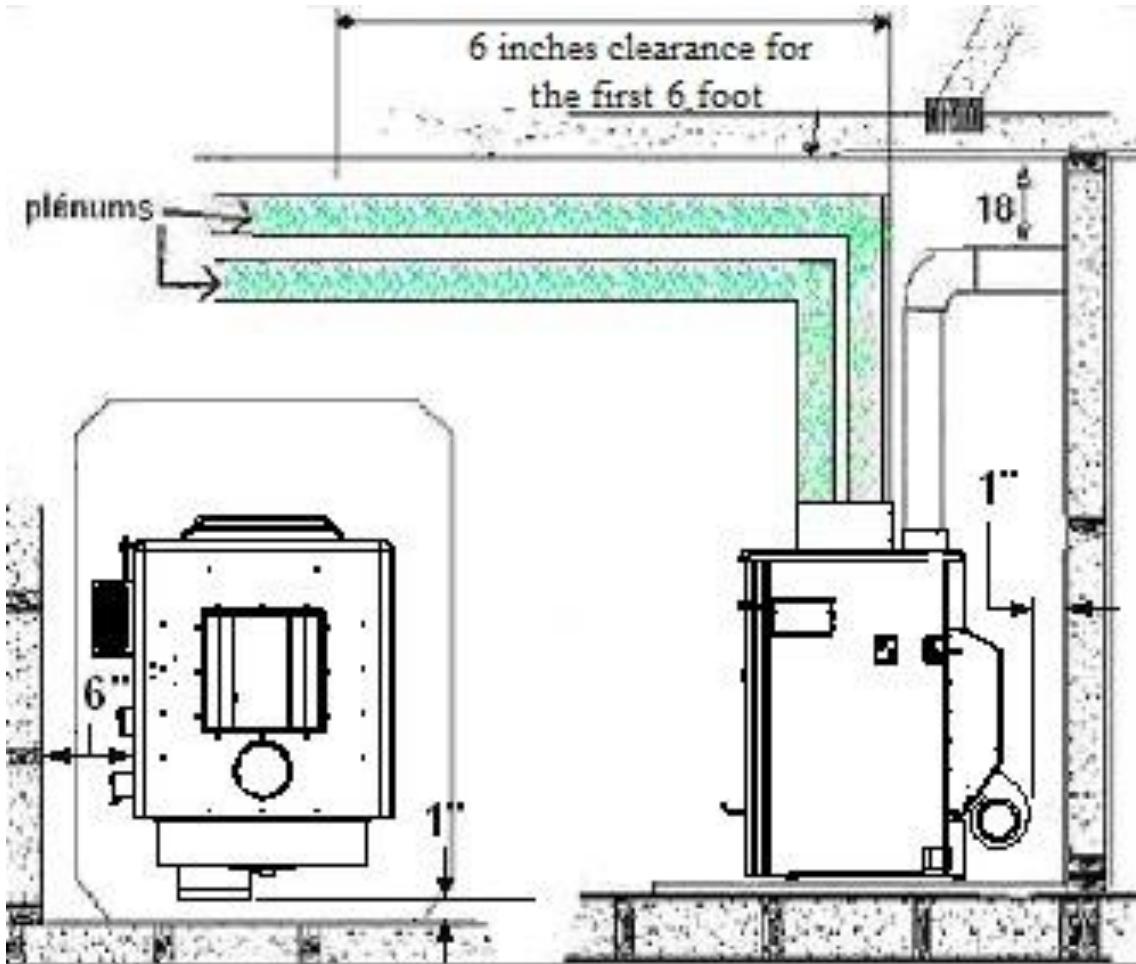
## VERTICAL INSTALLATION



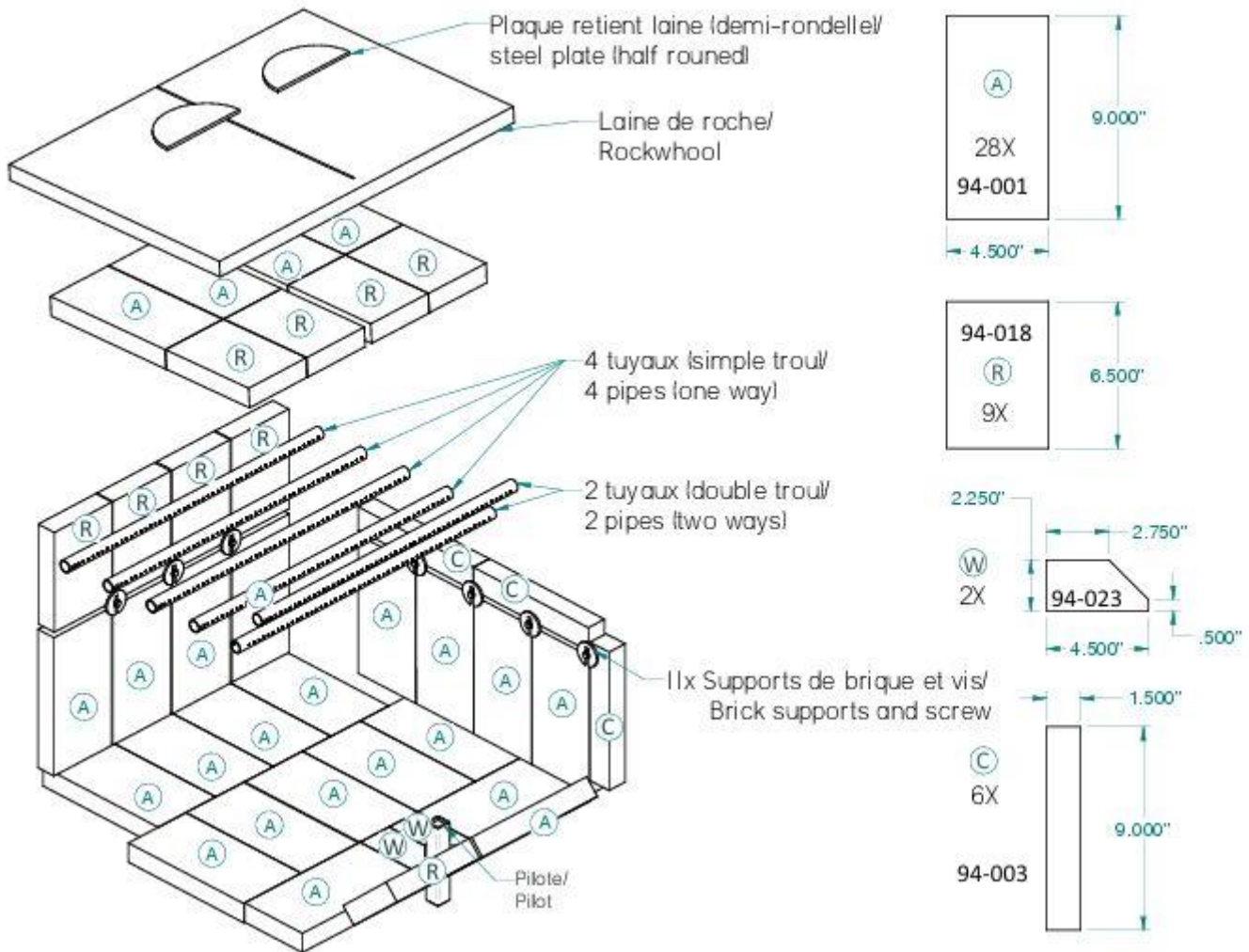
The GRIZZLY *Furnace* wood appliance must be installed in accordance with the applicable local laws or the CAN/CSA-B365 norm. Install the chimney following the manufacturer's instructions.

## CLEARANCES

Due to its reduced clearances, this appliance occupies a minimum of space in the room. No matter where you install it, this appliance will perfectly complete your decoration by its originality and its heat. This appliance only needs 1 inch clearance at its back, 6 inches at the lateral wall. For the plenum and heat exchanger, the clearances must be of 6 inches for the 6 first feet and of 1 inch (2.54cm) thereafter.



# INSTALLATION OF THE FIREBOX INTERIOR



## Installation of the firebricks

Use the round bricks support and the hex head screw to secure the bricks on the interior wall of the furnace.

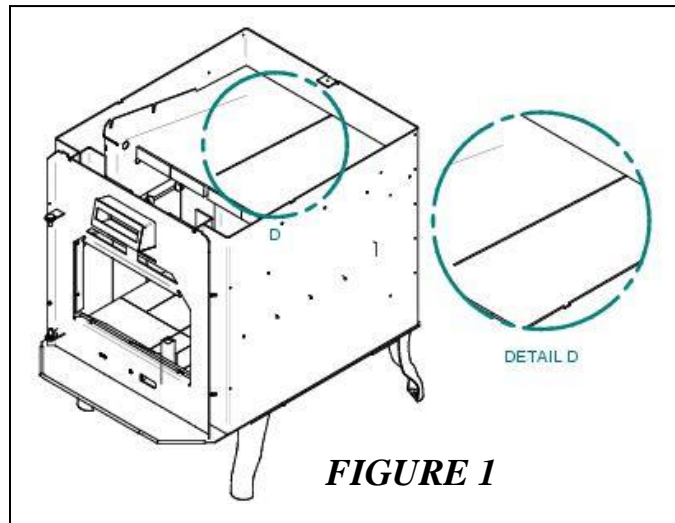
1. Install the bricks in the bottom of the stove (horizontal)  
12 x Bricks A, 2 x Bricks W, 1 x Bricks R
2. Install the bricks against both lateral walls.  
8 x Bricks A, 6 x Bricks C
3. Install the Bricks against the rear wall (vertical)  
4 x Bricks A, 4 x Bricks R

## Installation of the pipes, of the pipe support and of the insulating rock wool blanket

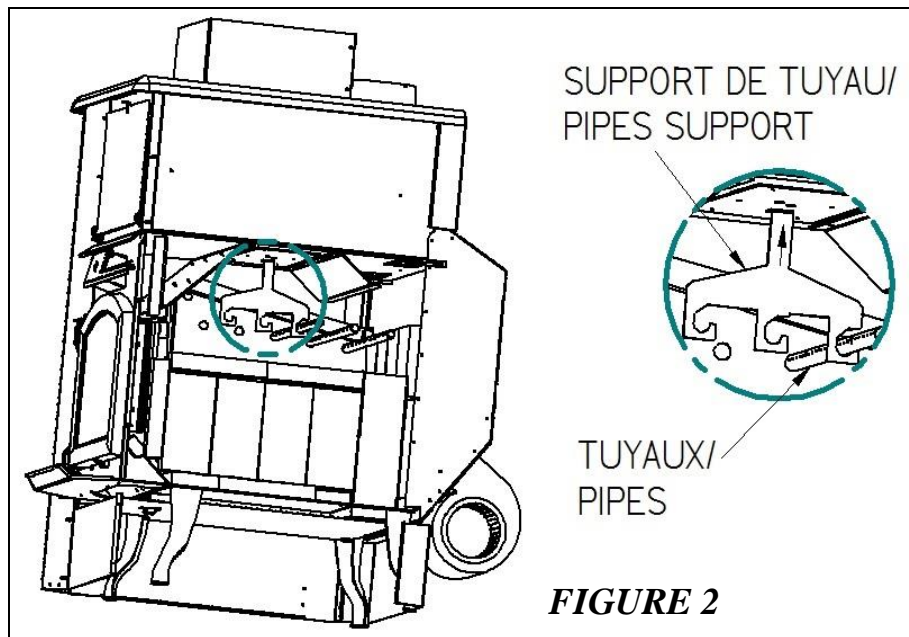
4. Install the 3 pipes in the rear of the stove and install the first row of bricks on the pipes.

4 x Bricks A

5. Split the wool in the shortest length direction about 12 inches long if it is not already done. Insert the wool above the pipes and the bricks so that the slot is oriented to the front of the stove. (See figure 1)



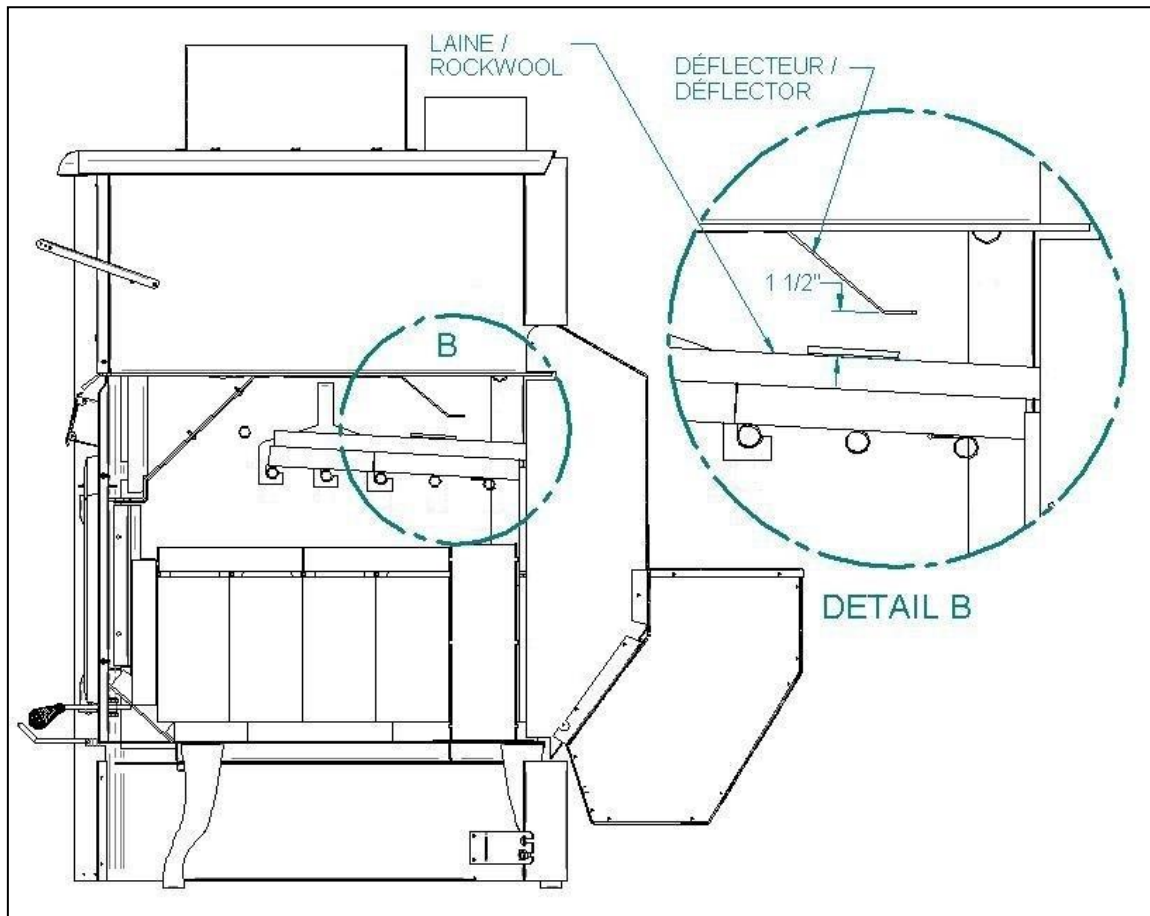
6. Fix the support pipes in the stove using the hexagonal head screw provided. (See figure 2)



7. Insert the 2 other pipes in the stove by passing them through the pipe hook
8. Insert the 4 bricks (4 x bricks R) on the pipes and the wool, then put the steel plate over the wool.

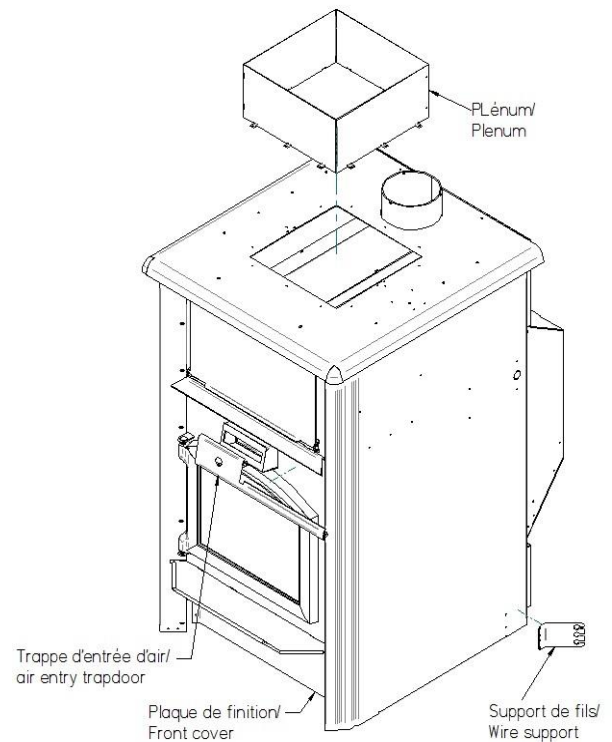
\*\*\*IMPORTANT\*\*\* Make sure that the wool don't obstruct the remaining space between the deflector and the wool. (See figure 3)

9. Install the last pipes (It is the one located higher than the others).  
Make sure that the rockwool is properly installed at the bottom of the deflector without blocking the air flow. There must be a clearance of about 1 1/2 " in between the baffle and the wool.

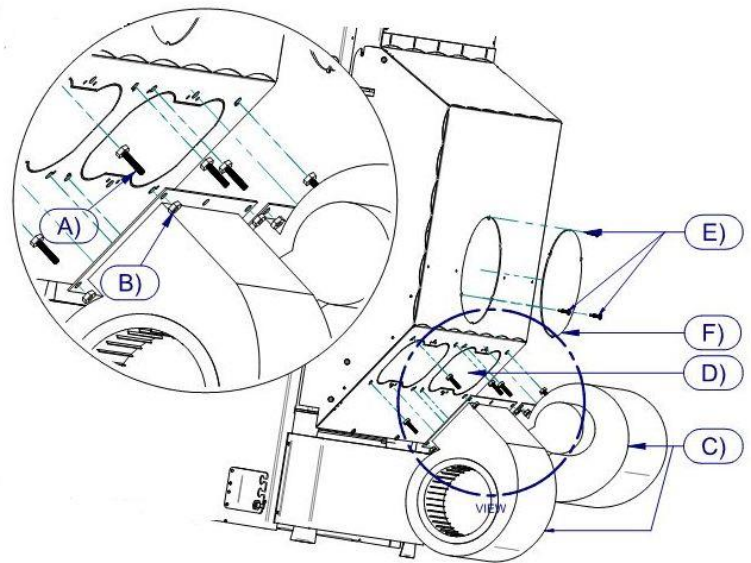


# INSTALLATION OF THE APPLIANCE

- 1- Fix the plenum to the appliance with 12 screws.
- 2- Fix the trapdoor in front of the furnace, on the rectangular box with 2 screws.
- 3- Fix the front cover at the front of the furnace with 4 screws (if it's not already done).
- 4- Fix the wire support on the side of the furnace with 2 screws.

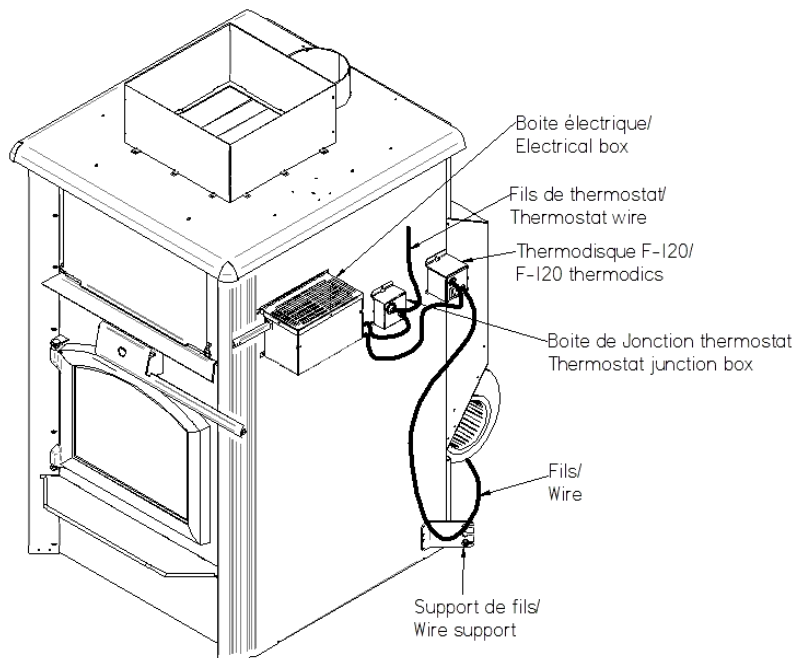


- 5- Remove the back lid (F) by removing or by untightening the 3 screws (E).
- 6- Remove the 2 steel plates (D)
- 7- Install the 8 bolt (A) through the hole of the fan box by passing the hand inside the casing through the access opening
- 8- Fasten the fan (C) to the ventilation casing by screwing the 8 nuts (B) to the screws (A)



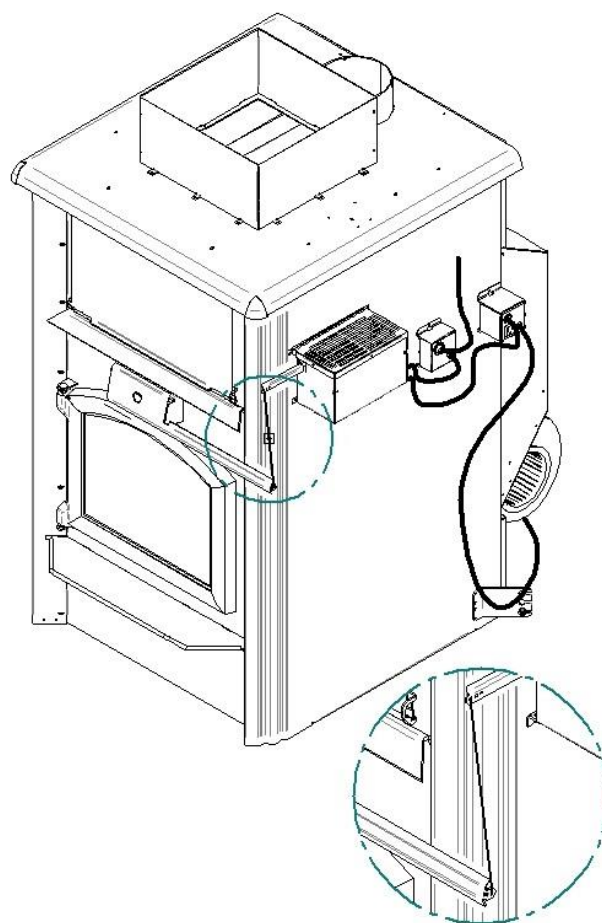
9- Fix the electrical box, the thermostat junction box, the F120 thermodisc with the 1/2 inch long screws.

**Check that no electrical wire touches the furnace's hot surface**



10- Install the chain linking the electrical box to the air intake damper. Just hook the chain of the damper to the hole of the electrical box rod.

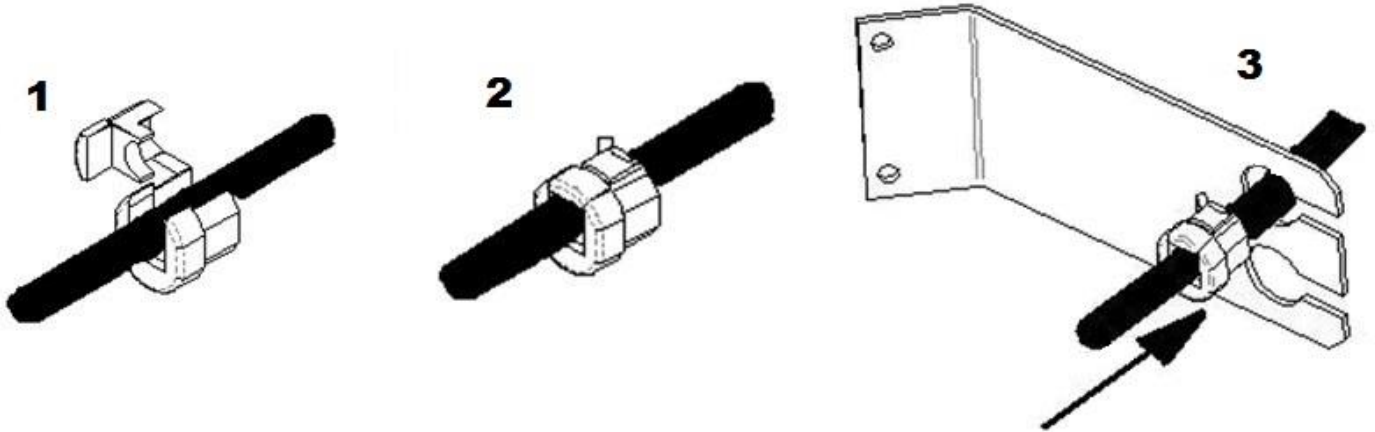
**WARNING: Make sure that the air intake damper is completely closed when you installed the chain.**





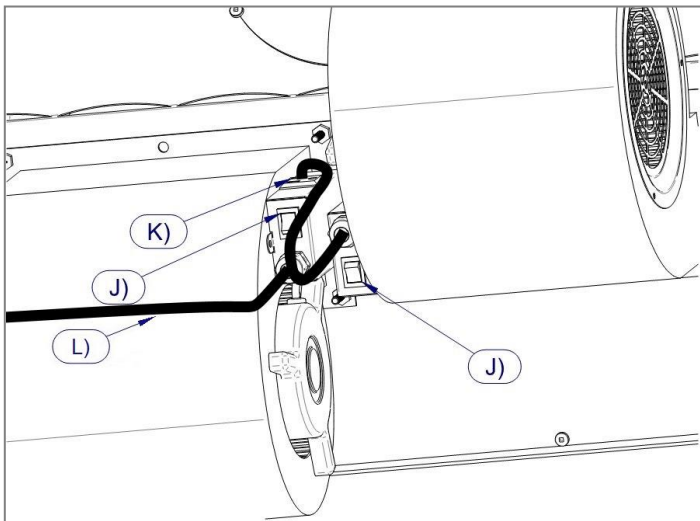
11- Follow the next step to attach the wires with the nylon bushings (See the pictures below).

- 1- Insert the wire in the bushing.
- 2- Close the bushing
- 3- Insert the bushing in the hole of the protection plate.



**WARNING: Be sure that the electrical wire do not touch the appliance.**

12-Connect the power supply wire of the second blower to the electric plug of the first blower (K)



# FANS AND THERMODISC

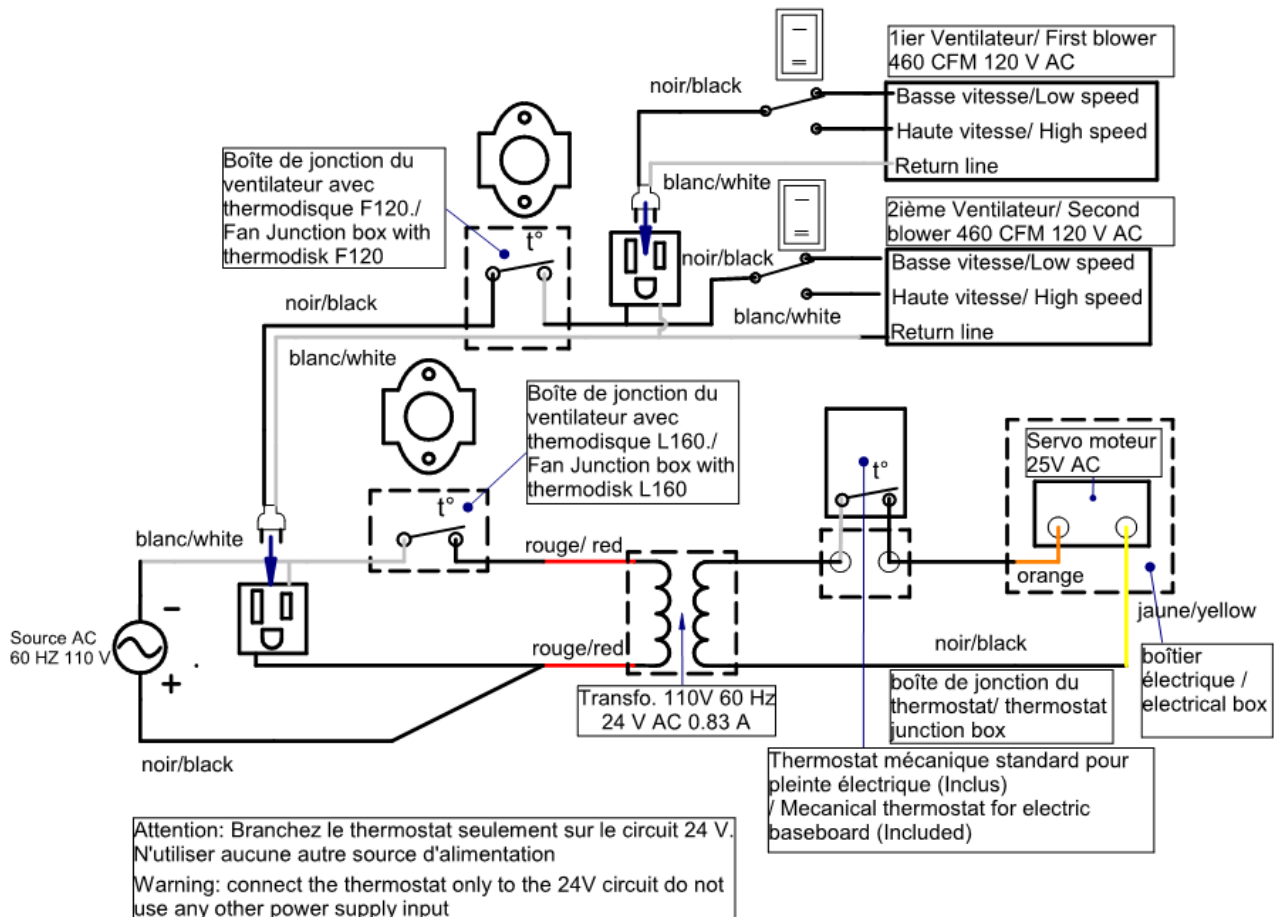
The 115 volt fan must be screwed at the place provided for this purpose at the back of the appliance. The F120 thermodisc must be fixed beside the junction box in the holes made for the installation.

When the appliance is in function, the heat reaching a temperature of 120 °F activates the F120 thermodisc. At this moment, the fans are activated for a better distribution of heat in your home.

When the appliance is in function and the conduct reaches a temperature of 160 °F, the FS160 thermodisc will close the air entry and keep the fans going in order to slow down the wood combustion and to reach a more comfortable temperature. When the heat goes under 160 °F, the FS160 thermodisc will automatically allow the air intake to reopen and restart the fan.

**Make sure that electrical cords of the furnace do not touch the appliance surfaces in order to avoid electrical shock or a risk of fire.**

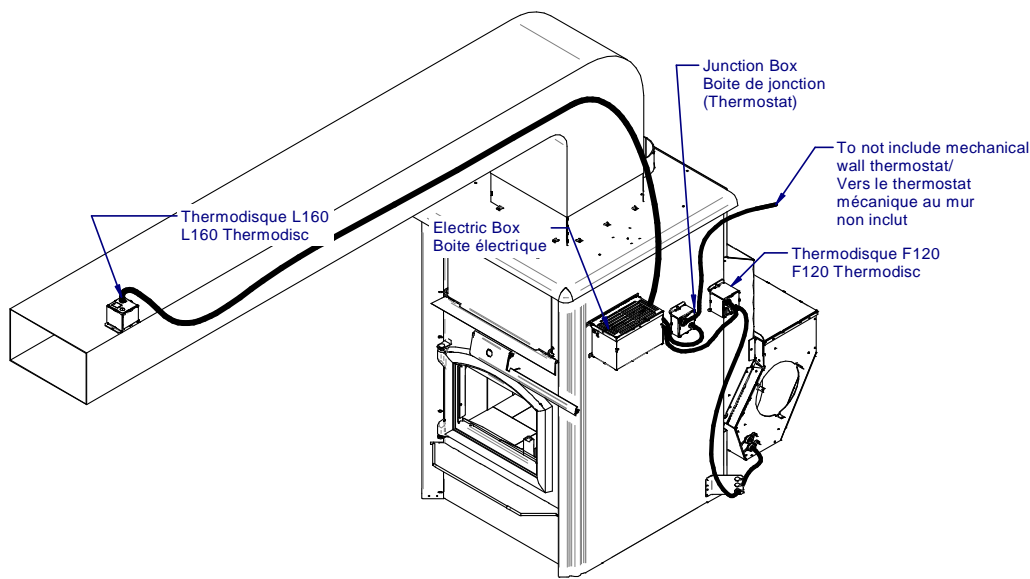
## ELECTRICAL PLAN AND THERMOSTAT CONNECTION



To plug the thermostat, unscrew the junction box on the side of the furnace. Join the black wire of the thermostat with the one of the junction box, and then insulate them with a wire nut. Join the white wire of the junction box with the one of the thermostat, and then insulate them with a wire nut. Reinstall the junction box on the furnace.

**THE THERMOSTAT MUST BE INSTALLED BY  
A CERTIFIED INSTALLER OR ELECTRICIAN.**

### **L160 AND F120 THERMODISC LOCATION**

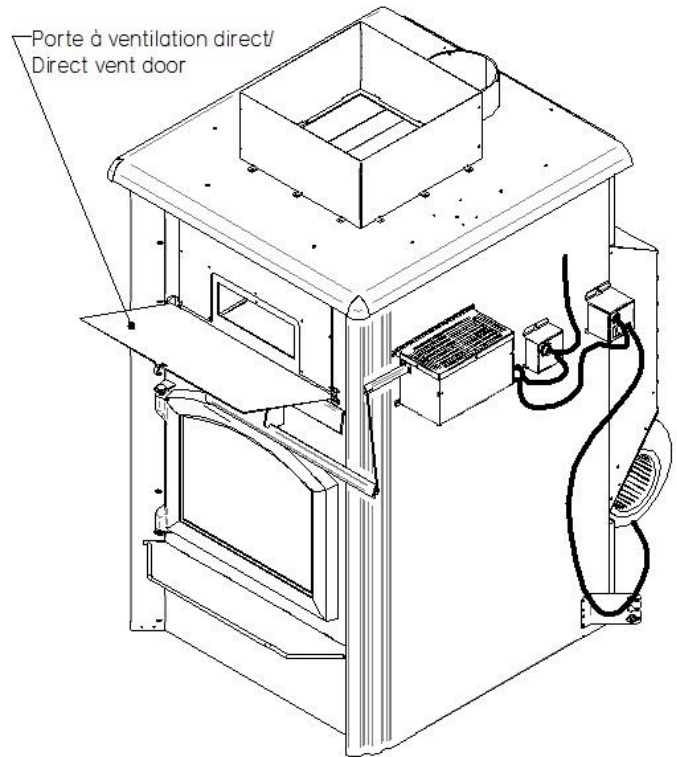
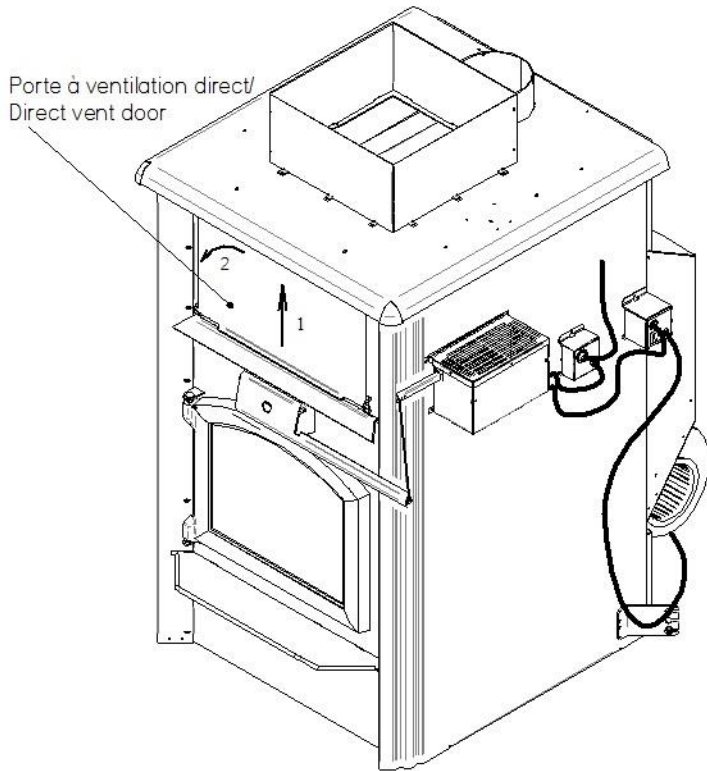


**Must be installed by a certified installer**

The L160 snap disk box must be installed onto the plenum as far as possible with the length of the cable already included. You need to drill 7/8 inches hole into the duck section to let the L160 snap disc be in contact with the air in the duct. Attach the box with two metal screws. To install it on round section, install it along the length of the pipe and not across the section (with the 2 screws aligned with the axis of the pipe).

## DIRECT VENT DOOR

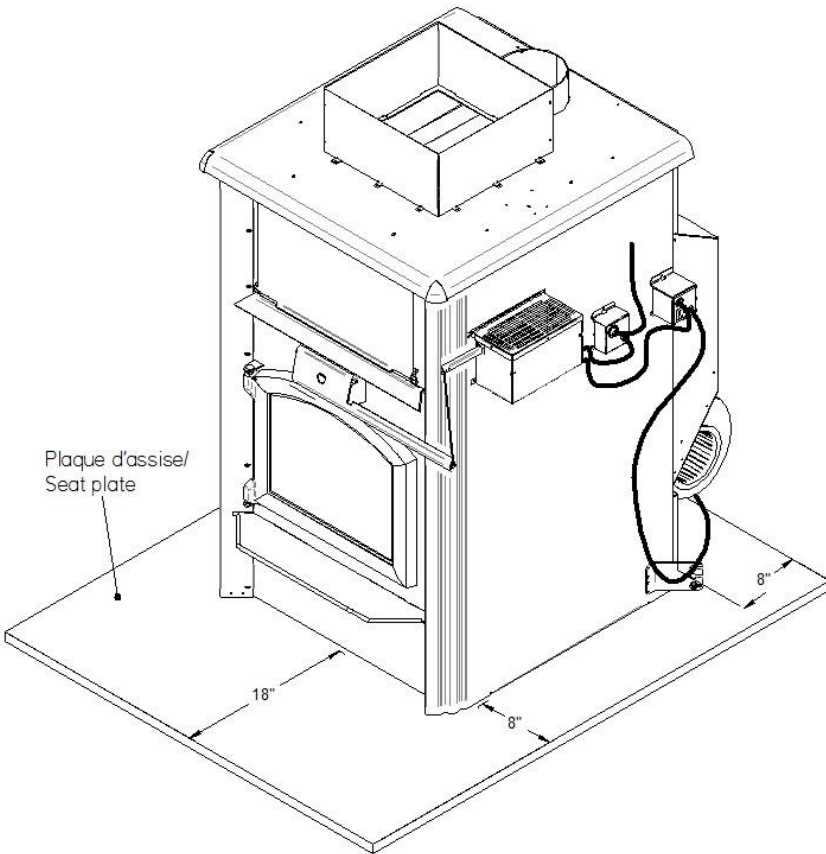
The appliance is equipped with a direct vent door which gives access to the heat exchanger. When the door is open, the heat accumulated in the heat exchanger directly comes out from there. Even if there is a power outage in that configuration, the furnace will keep heating the room. To open the door, follow the steps illustrated below.



## SEATING

You must install a fireproof plate under the appliance, which must exceed it by 18 inches at the front and 8 inches on all other sides.

**\*\*\*\* Use only non-combustible materials such as ceramics, marble or granite.**



## LIGHTING

Now that you have completed the installation of the appliance according to the recommendations, you are ready for the lighting!

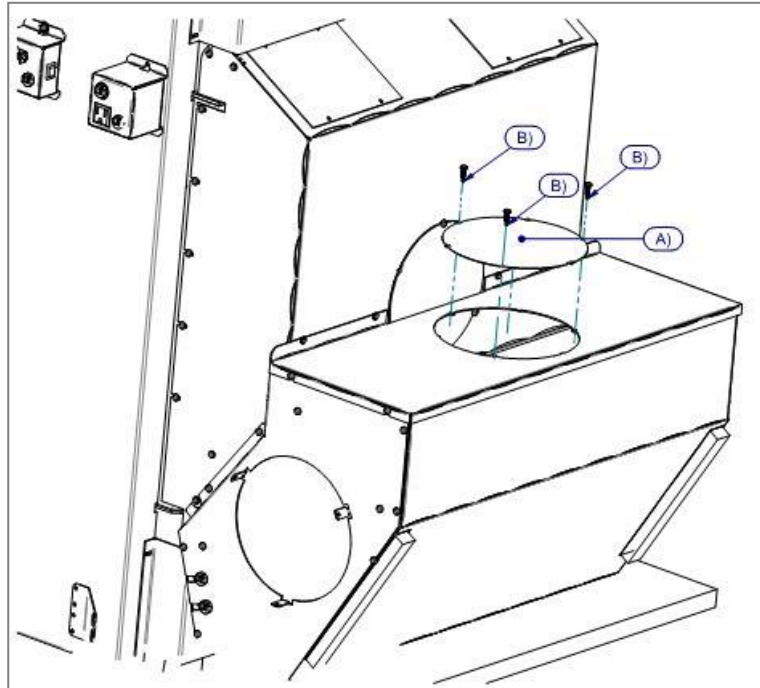
1. Place papers and small wood in the appliance.
2. Before lighting, be sure that the chimney is warm enough.
3. When the fire is well lit, gradually add bigger logs until an ember bed is formed.

**Do not charge the appliance over the firebricks level.**

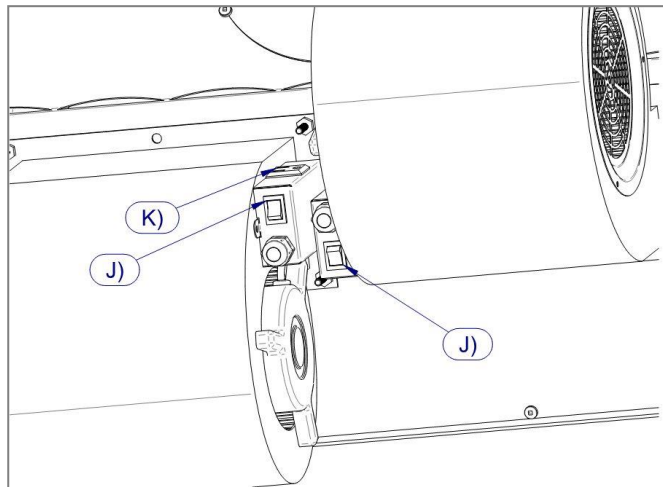
## CHANGING THE FAN SPEEDS

With the return air kit (offered in option)

It is possible to change the speed of the fan in-between the high and the low speed. To do so, remove the panel (A) by removing the 3 screws (B). Put back the lid after changing the speed.



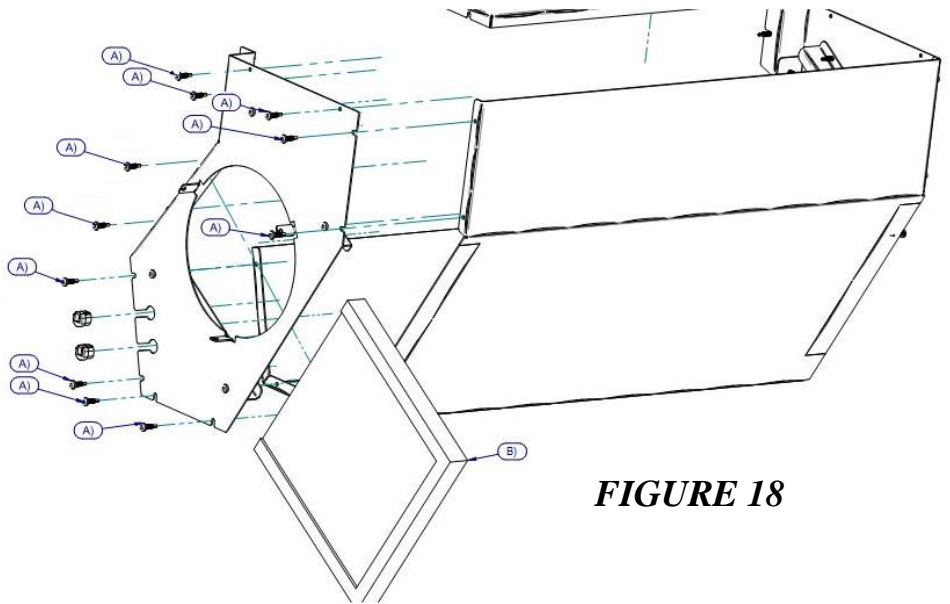
It is possible to alternate the switch (J) to change the speed of the blower. The current setting of the switches as showed in figure 22 correspond to the slowest fan speed.



## FILTER REPLACEMENT

Filter replacement when the clearance in the back of the appliance doesn't allow to remove the filter directly

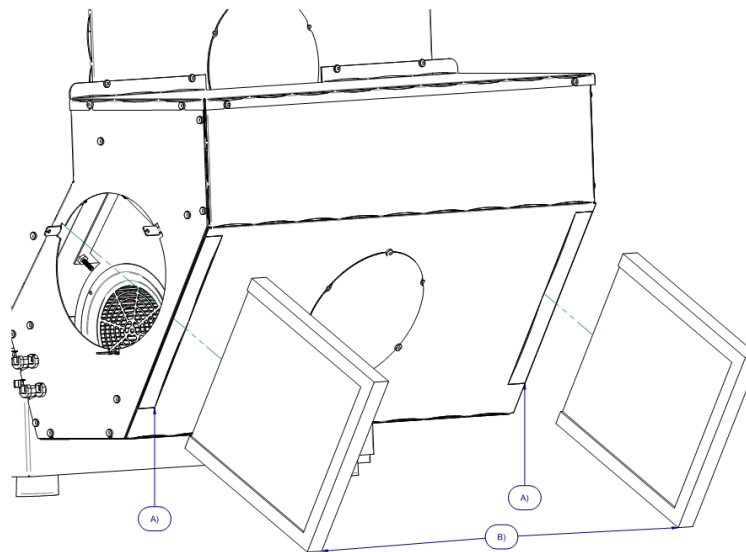
- 1-Remove the 11 screws (A) then the side panel
- 2-Remove the filter to be replaced
- 3-Put a new filter in
- 4-Replace the side panel with the filter and screw everything back
- 5-Repeat the previous steps for the second panel on the other side



**FIGURE 18**

Filter replacement if the clearance allows it

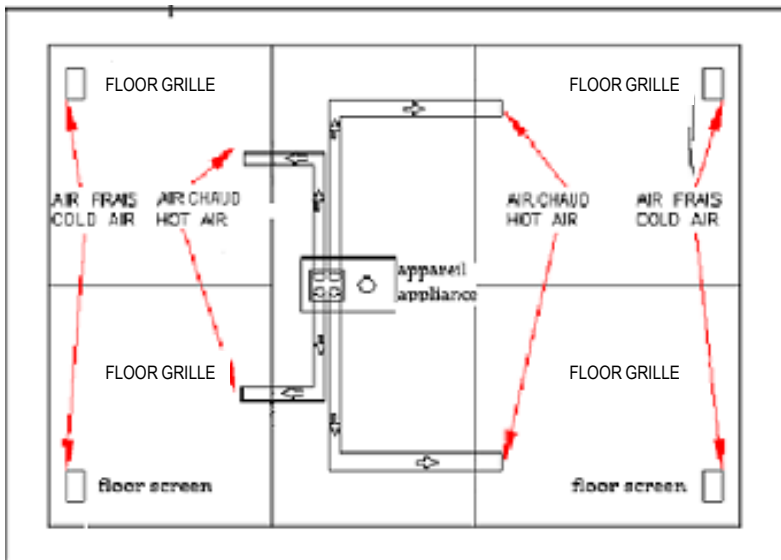
- 1-Take out the removable panel (A) and the filter to be replaced
- 2-Insert the replacement filters



**FIGURE 19**

## AIR CIRCULATION OF THE HEATING SYSTEM

Always refer to the applicable national building code before installing the hot air conduct.



It is recommended to install floor grilles in order to balance the air pressure between the floors where the appliance is installed and the upper floor.

It is also recommended to install these floor grilles to each home extremity.

**Hot air pipe : 8" diameter for 20 feet length  
6" diameter for 15 feet length**

An air supply must be installed if:

- The appliance seems to have an irregular draft control, a smoke return, a bad combustion and a counterblow whether you have combustion or not.
- Your other appliances, such as hearths or other heating appliances, release odors, provide poor performance, provoke smoke return or a counterblow whether there is combustion or not.
- If the window is open, even slightly, in the calm weather (no wind), the situation above is solved.
- Your home is built with vapour barrier and airtight windows, and/or with a system device to blow the air outside.

In these circumstances, which mean the air infiltration is insufficient, you must ensure an adequate air supply.

**\* In doubt, it is recommended to ensure an adequate supply of fresh air.**



# COMBUSTION AIR SUPPLY

Combustion air supply can be done by either of following methods:

**Indirect method:** In the case of an appliance not certified for a direct connection with a source of new air supply, the new air is brought in a duct at a maximum of 300 mm (12 in) of the appliance, in order not to compromise its operation.

**Ventilation system:** If the home is built with a ventilation system (air exchange or heat recovery)

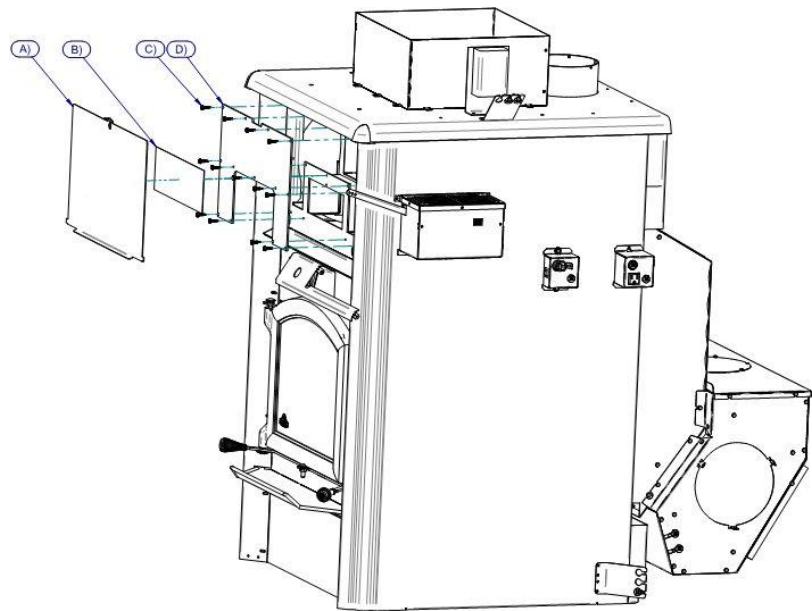
- i. The ventilation system might be able to supply an efficient air quantity with a solid combustible appliance, and
- ii. The owner should be informed if the ventilation system might have to be rebalanced by a ventilation specialist after the installation of the solid combustible appliance.

## PREVENTIVE MEASURES AND MAINTENANCE

- Verify the accumulation of creosote every week that you use the appliance until you know at which frequency it must be cleaned (minimum once per year). Remove every creosote deposit in order to prevent chimney fires.
- Cleaning of heat exchanger, vent connector of chimney and induced draft fan (if applicable) is particularly important at the end of each winter in order to remove corrosion which was made during summer and caused by the ash accumulation. It must be in good condition all the time.
- Verify regularly the vent connector, gaskets and sealing materials to make sure that smoke and gas from the combustion are not absorbed and conveyed in the air distribution system.
- Do not alter or modify the air intakes of the appliance to get a stronger fire.
- To clean the glass, J.A. Roby Inc. recommends to use products for this purpose or an oven cleaner. Avoid cleaning when the glass is hot and using abrasive.

### CLEAN-UP PROCEDURE

- 1-Remove the finishing plate (A)
- 2-Remove the clean-up plate (D) by taking out the 13 screws (C)
- 3-Clean-up the inside of the heat exchanger using an appropriate brush and vacuum cleaner
- 4-Put back the clean-up plate and screw back the screws so that everything is air-tight against the fiber glass gasket. Be careful not to overtighten the screws so that it will create leaks (Part # V125 X 8MM for the replacement gasket)
- 5- Put back the finishing plates



**FIGURE 20**

### GLASS REPLACEMENT

Remove the screws that retain the glasses then take away the fragments of glasses. Verify if the seal cord is damaged and worn out.

If so, replace it by a ½ inch ceramic cord and replace the broken glass by VITROCERAMIC glass of 4 mm.

Cut the glass edge 3 mm smaller on each side, so that the fiberglass cord can be slipped on the edge of the glass when installed. Fix the glass with screws.

Contact your retailer to get information you need for the replacement of the glass.

**DO NOT USE SUBSTITUTES.**

## INTERCHANGEABLE PARTS LIST

- BRICK
- INTERIOR PIPE
- GLASS
- BRICK' S SUPPORT
- DOOR HANDLE
- APPLIANCE' S DOOR
- FANS
- DOOR SEALANT CORDS
- HEAT EXHANGER SEALANT CORDS (22097)
- FAN CONTROL MODULE
- DAMPER MOTOR
- TRANSFORMATOR
- THERMOSTAT
- BUTTERFLY VALVE
- AIR ENTRY STALK

**\* TO ORDER PARTS, PLEASE CONTACT YOUR AUTHORIZED RETAILER.**



STOVES & FIREPLACES

# WARRANTY

## J. A. ROBY LIMITED LIFE WARRANTY – WOOD BURNING STOVES & FIREPLACES

J. A. ROBY’s warranty only applies to original buyer and is non-transferable. This warranty covers brand new products only, which have not been altered, modified or repaired since shipment from factory. The products covered by this warranty must be manufactured after review date indicated at the bottom of page. Proof of purchase (dated bill of sale), model name and serial number must be supplied when making any warranty claim to J. A. ROBY. Registered your warranty is not required.

The appliance must be installed by an authorized service technician or contractor. Installation must be done in accordance with the installation instructions included with the product and all local and national building and fire codes. Any service call related to an improper installation is not covered by this warranty. This warranty applies to normal residential use only. This limited warranty does not cover damages caused by misuse, improper installation, lack of maintenance, accident during transportation, alterations, power failure, venting problems, downdrafts, abuse, over firing or neglect. Operating the appliance on high for extended periods of time is neglect. Any defect or damage caused by the use of unauthorized parts or others than original parts void this warranty.

This limited warranty does not cover any scratch, corrosion, warping or discoloration. The manufacturer may require that defective products be returned and/or that digital pictures be provided to support the claim. Returned products are to be shipped prepaid to the manufacturer for investigation. If a product is found to be defective, the manufacturer will repair or replace such defect. The transportation fees to ship back the product to the purchaser will be paid by the manufacturer<sup>2</sup>. The external labour fees related to warranty repair are not covered. The manufacturer may at its discretion, decide to repair or replace any part or unit after inspection and investigation of the defect. The manufacturer may at its discretion, fully discharge all obligations with respect to this warranty by refunding to the original warranted purchaser the wholesale price of any warranted but defective part (s). The manufacturer shall not in no event be liable for any special, indirect or consequential damages of any nature whatsoever which exceeds the original purchase price of the product. All parts replaced under this limited lifetime warranty are subject to a single claim.

Any damage to the appliance, combustion chamber, heat exchanger, enameled cast iron cooking plate or other components due to water, weather damage, long periods of dampness, condensation, damaging chemical or cleaner will not be the responsibility of J. A. ROBY. Failure of any components which is attributed to poor maintenance including **seal gasket**, is not warrantable and will not be covered by this policy. J.A. ROBY neither assumes, nor authorizes any third party to assume, on its behalf, any other liabilities with respect to the sale of this product.

The manufacture of your new appliance and the following materials are warranted against defects as mentioned below:

WARRANTY DESCRIPTION	100%	50% current retail price
Ashtray, handles, doors and cast iron legs	Life	
Combustion chamber	5 years	From 5 years to life
Secondary air tubes	5 years	
Heat exchanger	2 years	From 2 years to life
Switches, thermodisc, wiring and electrical components, standard blowers and rheostat	2 years	
Tempered glass, optional blower and gasketing	1 year	
Ceramic glass (thermal breakage only <sup>1</sup> )	1 year	
Replacement parts (with proof of purchase)	90 days	

Due to on-going product improvements, all specifications and design are subject to change without prior notice.

**Before shipping your unit or defective component to our plant, you must obtain from J. A. ROBY an authorization number. Any merchandise shipped to our plant without authorization will be refused automatically and returned to sender.**

1= Digital pictures required

2= Shipping cost are not covered outside CANADA

Review August 2018

490, rue de L'Argon, Québec, (Qué.), G2N 2C9  
Tél.: (418) 849-8095 Fax.: (418) 849-0077 Internet.: [www.jaroby.com](http://www.jaroby.com)