



Warmth from the heart of J.A.ROBY INC.

OWNER'S MANUAL

EVOLUTION



Restricted fireguard utilization



CAN/ULC_S610-M87

June 3rd, 2009 Reviewed

EVOLUTION & EVOLUTION 2113

490, rue de l'Argon, Quebec, Qc CANADA G2N 2C9
Phone: 418-849-8095 Fax : 418-849-0077
www.jaroby.com

TABLE OF CONTENTS

SPECIFICATIONS – EVOLUTION.....	1
WARNING	2
NOTICE.....	4
CREOSOTE.....	4
LOCATION OF THE FIREPLACE.....	5
INSTALLATION OF THE CHIMNEY.....	6
CHIMNEY FRAME DETAILS	6
INTERMEDIATE JOIST ENTRY CF.....	7
ATTIC THERMAL SCREEN INSTALLATION.....	7
INSTALLATION OF THE RADIANT FIREBREAK	8
INSTALLATION OF ELBOWS.....	8
INSTALLATION OF THE EXTERIOR CHIMNEY	9
CF ROOF SUPPORT.....	9
CF INTERIOR SUPPORT / DEVIATION SUPPORT.....	10
INSTALLATION OF THE ROOF FLASHING.....	10
BLOWHOLE SYSTEMS AUTHORIZED	12
EXTERIOR AIR CANALIZATION.....	14
INTERNAL BLOWER (FANS AND THERMODISC)	15
BLOWHOLE BY NATURAL CONVECTION	16
CENTRAL BLOWER	18
INSTALLATION OF THE 460 CFM FAN.....	20
EXTRUSION.....	22
INSTALLATION OF THE FIREBRICKS	22
DOORS ADJUSTMENT	23
SHELF	23
LIGHTING	24
FIREGUARD.....	24
PREVENTIVE MEASURES AND MAINTENANCE.....	25
INTERCHANGEABLES PARTS LIST.....	26
WARRANTY	28

CAREFULLY READ THIS MANUAL AND KEEP IT FOR FURTHER REFERENCES.

INSTALLATION OF THIS APPLIANCE MUST BE DONE BY A QUALIFIED AND CERTIFIED TECHNICIAN AND IN CONFORMITY WITH THE OWNER'S MANUAL GIVEN WITH THIS APPLIANCE. THE INSTALLATION MUST BE IN AGREEMENT WITH LOCAL AND NATIONAL REGULATIONS APPLICABLE FOR SOLID FUEL BURNING APPLIANCES AND CONNEX EQUIPMENT (CAN/CSA-B365) AND THE APPLICABLE BUILDING CODE .

WARNING! NEVER MODIFY THIS APPLIANCE !

NEVER USE THE FIREGUARD (PAREV) WITH A 1800⁰, 1" OF ISOLATED CHIMNEY (ULC-S604).

SPECIFICATIONS – EVOLUTION

Combustible	Wood
Recommended surface	0 to 2000 Ft ² (0 to 186m ²)
Evacuation pipe diameter	6" (15,24cm)
Chimney minimal height	15 ft (457,2cm)
Hot air top exit	6" (15,24cm)
Dimensions:	
Glass viewing area (W X H):	
ATC 618 (2 doors)	15" X 12 ¾" (38X 32.4cm)
Evolution (1 door)	18 ¾" X 12 ¼" (47.6 X 31cm)
Evolution (2 doors)	20 3/8" X 12 ¼" (52 X 31cm)
Evolution 2113	21" X 13" (53 X 33cm)
Exterior width	32" (81,28cm)
Exterior depth	25" (63,5cm)
Door opening	20 ¼" X 10 ¾" (51,44cm X 27,31cm)
Inside height	13" (33cm)
Inside width	19" (48,26cm)
Inside depth	17 5/8" (44.8cm)
Maximal length of log	18" (45,72cm)
Weight	402 pounds
<u>Clearances</u>	
Back	0
Lateral	0
In corner	0
Roof	84 in (213,36cm)

WARNING

Before installing, please take a few minutes to read this handbook. Keep it in a sure place and easily reachable for future references. Not following these instructions could be a cause of property damages, injuries or death. If this appliance is not properly installed, it could cause fire damages to the property, injuries and death. To reduce fire hazards, follow instructions contained in this handbook.

Contact an official inspector (ex: a fireman) or your insurance company for installation permit. Always respect the provincial and municipal building codes of your region.

Your fireplace is a high efficiency appliance certified EPA. It will offer comfort and pleasure if well installed, maintained and used.

Do not use in a mobile house.

This appliance must not be installed inside a prefabricated fireplace without being tested first. This fireplace must have its own chimney. Do not connect it to a chimney pipe already serving another appliance. It is recommended to regularly inspect the chimney.

Utilization of the fire-guard is authorized only with a 2100⁰ chimney (ULC-S629). It is strictly prohibited to use it with the doors open if the installation was made with a 1800⁰ chimney of 1" isolation (ULC-S604). Do not place insulating material or pass electric cords in the minimum clearances required for the air passage surrounding the chimney. You can operate your fireplace with the doors completely open only if you have installed a 2" chimney and have put the fireguard on the fireplace.

CAUTION : Very hot while in function

- Keep children far away from the appliance.
- Never let the appliance without supervision when the door is open.
- Never let the doors partly open when in function. Use completely close or completely open with a fireguard.
- Do not use chemical products or other liquid to light the fire.
- Do not burn waste or inflammable fluids like gas, naphtha or motor oil.
- Combustible materials should not be placed in front of the fireplace
- A 2" (5,08cm) minimum clearance must always be maintained between the chimney and any other combustible materials.

Do not block or modify the air circulation grids.

This appliance is certified to burn wood. Do not use any other combustible. Always use dried wood. Do not burn green or wet wood. Do not use construction debris such as pieces of 2x4, plywood... We recommend 16" logs. For a better efficiency, cross the logs one on an other.

Be sure that the ashes evacuation cap is closed before lighting.

If the evacuation conduct starts to blush, it's because it is too charged. The wood logs shall never stand higher than the firelog in front of the fireplace.

Ashes must be evacuated frequently, put in a steel container provided with a tight cap and be placed outside at once. You must never place other waste in this container.

Your fireplace can be use to warm up adjacent rooms or rooms on another floor. A mural thermostat situated in the room to be heated controls the central blower which provides hot air from the fireplace.

Be sure to have enough exterior air. Some domestic appliances use exterior air: the kitchen fan, the extractor fan, heating appliances working by forced air. If you use an exterior air device, you will not experience a lack of exterior air.

You should contact your municipal or provincial fire department to have knowledge of the procedure to be followed in case of a chimney fire. Think of an emergency plan.

Out of control fires can be caused by three main factors:

1. Utilization of inappropriate combustibles or the use of small wood which should be use only for the lighting.
2. A door let partly open for too long.
3. Operation of your fireplace without the ashes cap.

To avoid out of control fires:



1. Do not burn treated or transformed wood, charcoal or colored paper.
2. Do not overload the appliance and do not let the door slightly open for a long time after the lighting.
3. Be sure that the ashes cap is at its place before each use.

What to do in case of an out of control fire:

1. Close the air intakes and the doors.
2. Call firemen.
3. Examine the chimney, the attic and the roof to see if some components have become abnormally hot. If necessary, drench with a fire extinguisher or a hose.
4. Do not use the fireplace before a complete inspection of your chimney and fireplace.

NOTE :

**FOLLOW THESE INSTRUCTIONS
IN ORDER TO AVOID FIRE
HAZARDS, WOUNDS AND
PROPERTY DAMAGES.**

 <p>NATIONAL FIREPLACE INSTITUTE NFI CERTIFIED www.nficertified.org</p>	<p>We recommend that our woodburning hearth products be installed and serviced by professionals who are certified in the U.S. by the National Fireplace Institute® (NFI) as NFI Woodburning Specialists or who are certified in Canada by Wood Energy Technical Training (WETT).</p>	 <p>Wood Energy Technical Training www.wettinc.ca</p>
---	--	--

NOTICE

Your fireplace *Evolution* was tested and approved including supports, firebreak and other chimney components. Any change, modification or unauthorized installation will automatically cancel the certification of the appliance, its guarantee, its homologation and the appliance might become dangerous.

If the chimney is to be exterior, it is recommended to compartmentalize it in order to protect it from the cold temperatures. This could improve the operation of the appliance. Exterior partitions can be isolated by maintaining a 2 inches minimum clearance from the chimney.

During the first hours of operation, you must heat it gradually. In order to allow an appropriate cooking of the paint and in order to facilitate its adhesion with metal, do not heat the appliance with a strong fire. It will also avoid thermal shock which could lift up the paint or make it whiten. Make sure that the room is ventilated enough in order to eliminate the odours and the smoke coming from the paint during the first hours of utilization. It is normal that a light smoke is released from the paint during the first hours of use.

Even if this nuisance is temporary, open the windows and the doors in order to ensure a good ventilation. This special paint is conceived to tolerate temperatures until 1200°F (650°C).

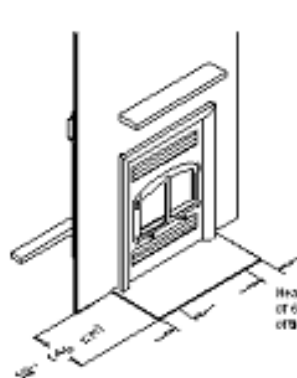
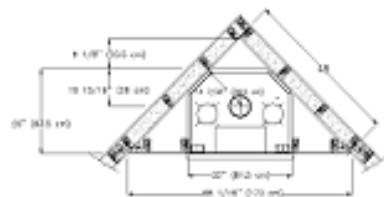
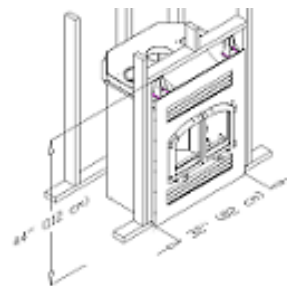
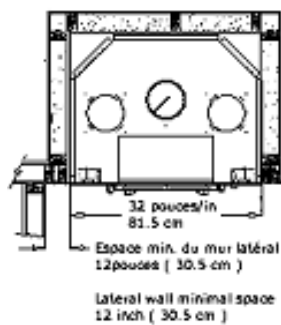
CREOSOTE

The wood burning slowly produces tar and other organic steams, which forms a whole called “creosote”. The steam condenses in the cool chimney when the wood is burning slowly. In this way, creosote residues are formed on the walls. Creosote can take several forms: tarry liquid, soot dust or deposits in crystal form. When in fire, the creosote releases a very strong heat and can be the cause of a chimney fire. If there is 1/8 inches of creosote or more in the chimney, you must remove it in order to avoid chimney fires.

- **Do not knock on the glasses or violently close the doors.**
- **Do not use the appliance when a glass is broken or damaged.**
- **Do not build the fire too close of the glasses. Place the logs behind the two firedogs.**
- **Do not burn treated wood, charcoal, waste or plastics.**

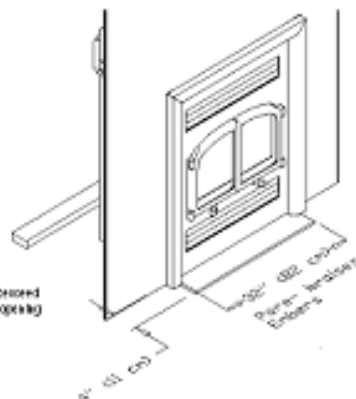
LOCATION OF THE FIREPLACE

- Take knowledge of municipal and fire department requirements.
- Choose a place where you will not have to cut joist.
- The fireplace must be installed against a finished wall around the appliance
- The top of the fireplace must stay free.
- The roof height must be at minimum seven (7) feet from the floor.
- The minimum distance of installation between the opening of the fireplace and every adjacent wall is of 12 inches, 48 inches at the front and the extension of the hearth is of 18 inches at the front.
- Do not add isolating wool in the space surrounding the fireplace.



Hearth extension must be
of 18" (45.7 cm) in front
of the fireplace.

An incombustible hearth extension of
18" x 18" must be installed at the front
of the fireplace.



Be sure that the space between the fireplace
and the hearth extension is sealed with sand/
cement or recovered by a metallic stripe or both.

INSTALLATION OF THE CHIMNEY

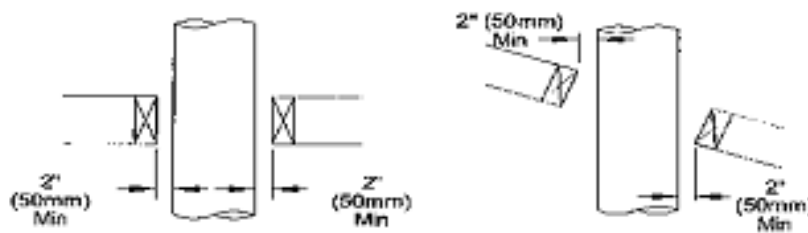
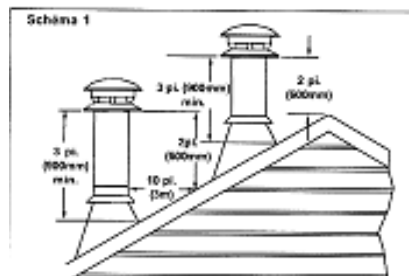
The minimum height approved for the gas evacuation system is 15 feet and the fireplace is conceived to support up to 25 feet of vertical chimney. For higher, additional supports are required. The authorities require that the chimney has at least 1m (3ft) over the highest point where it passes through the roof, and at least 609mm (2ft) over any point of the building from a distance of 10 ft. Security bridles or stainless steel screws must be used on every section which forms an interior joint.

In addition of the owner's manual, always refer to the instructions of the chimney manufacturer.

CHIMNEY FRAME DETAILS

Take the time to carefully plan the installation of your chimney. Draw and frame the opening and be sure that the 50 mm (2 ft) minimum clearance of any combustible material is respected. Every opening must be right and well aligned. For an angle roof, be sure that the dimensions are calculated horizontally.

Maximum chimney height: 35 feet.

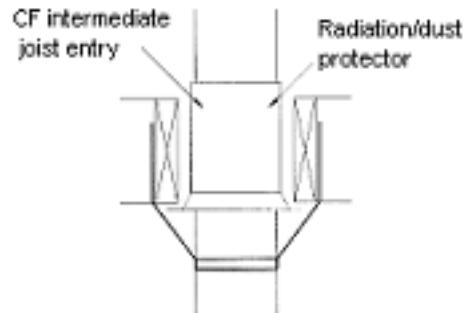


Security bridles or stainless steel screws should be used on every interior joint. Security bridles should be used on every section forming an interior joint.

INTERMEDIATE JOIST ENTRY CF

(Selkirk CF model)

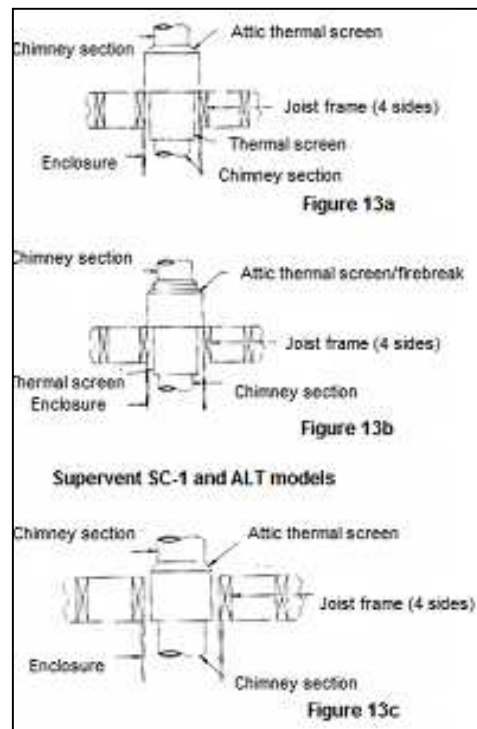
The intermediate joist entry CF is used at any joist level, except on an opened attic. It must be installed from the base to the top with 1 ½ inches screws and should not be cut.



ATTIC THERMAL SCREEN INSTALLATION

(JSC, SPR, SC-1 and ALT models)

An isolation protector for the attic thermal screen must be installed where the chimney passes from a room to a closed and superior attic. It is conceived to keep the isolations far from the chimney and will protect the isolations up to 250mm (10 ft) depth. In Canada, the attic thermal screen must be installed with a firebreak like illustrated on figure 13a.

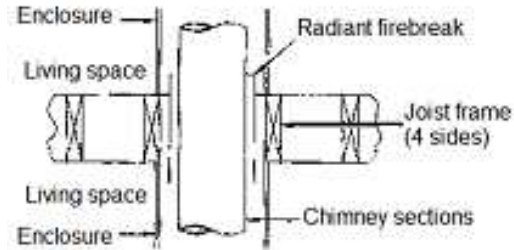


INSTALLATION OF THE RADIANT FIREBREAK

(Supervent JSC and SPR models)

The radiant firebreak must be installed where the chimney passes through a floor or a ceiling to another room. The radiant firebreak was tested and approved to be installed over or under the joist.

If the radiant firebreak is installed over the joist, be sure that there is no isolation or other combustible up to 50mm (2 inches) minimum clearance surrounding the chimney. It includes spaces for the air between the firebreak and the joist.



INSTALLATION OF ELBOWS

(JSC, SS Plus, SC-1, SPR, ALT and CF models)

For derivation installation with a chimney, a maximum of 2 elbows of 45° and 2 elbows of 15° or 4 elbows of 30° can be used. During the installation of the elbows, be sure to give additional support for the deviated sections in order to avoid any excessive pressure on the connected elbows.

Never install an elbow in a joist zone. Chimney sections must pass through joist frame vertically.

Install an elbow support immediately over the highest elbow. Fix the support stripes to the chimney by installing eight metal screws into the holes. Each elbow support will maintain up to 9m (30ft) of chimney.

See figure 15.

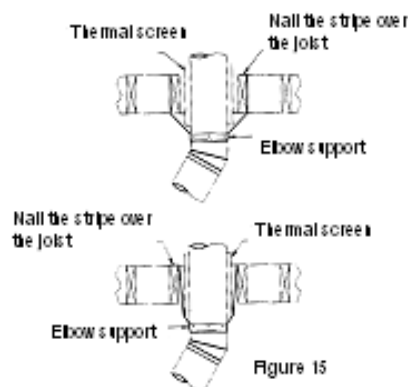


Figure 15

INSTALLATION OF THE EXTERIOR CHIMNEY

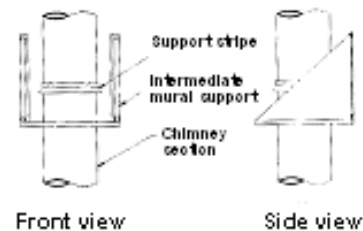
(SS Plus, JSC and SPR models)

For mural installations as illustrated, an intermediate mural support is required immediately over the second elbow, which will support up to 10m (30ft) of chimney.

Install a chimney section on the second elbow and fix it with a security bridle (SS Plus) or a fixation collar (SC et SPR). Assemble the intermediate mural support with the bolts and slide the assembly over the section you just installed. Fix the mural support on the wall with four (4) screws of ¼ x 2 inches, so that the hole will be in the middle of the chimney section. Install the support stripe around the chimney so that it is firmly against the support plate and that it supports the chimney weight. Install four (4) stainless steel screws into the exterior girdle of the chimney, through the holes in the support stripe.

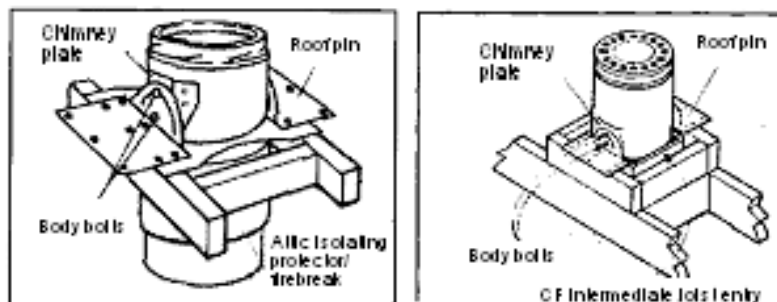
Stripes or mural collars must be installed at a distance of 2,4m (8ft) over the intermediate mural support.

With a nut and a bolt, fix the mural stripe around the chimney section. Then, fix the stripe on the wall with two spiraled nails 6d (3 inches) or bolts for masonry walls.



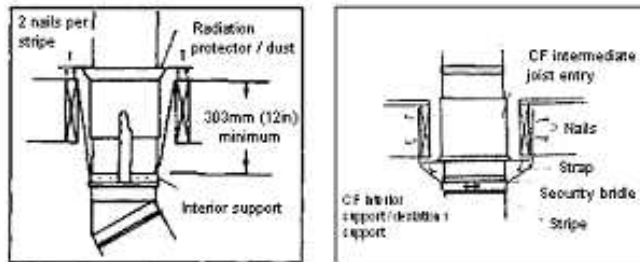
CF ROOF SUPPORT

CF roof support can be used with CF or SS chimney. The roof support must be located over the joists and installed after the installation of the radiant/dust (SS model) or of the intermediate joist entry (CF model) (if required). Install two body bolts per chimney plate into the squared holes. Fold the plate to follow the chimney curve. By using the plate as a guide, drill holes of 3/32 inches in the cladding. Attach the plates with the stainless steel screws. Attach the roof clips to the chimney plates by using the body bolts already in place, adjust and tighten. Screw the plate to the joist with six (6) big wood screws by clips. The supports can support up to 9m (30ft) of chimney, of which 6m (20ft) can be suspended.



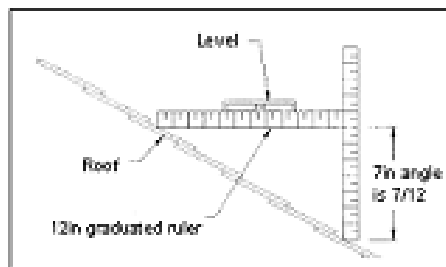
CF INTERIOR SUPPORT / DEVIATION SUPPORT

The CF interior support / deviation support can be placed under an intermediate joist entry or an attic isolation protection/firebreak. The interior support stripe of the interior support must be attached under a security bridle and tighten. The straps must then be placed along the exterior of the joists nailed 1 ½ inches nails, two by strap.

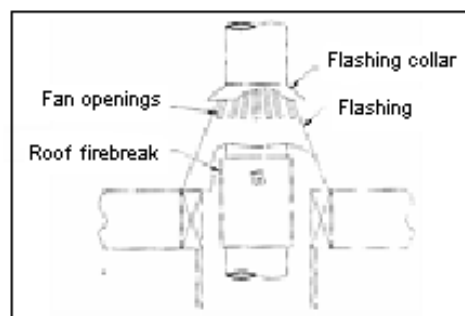


INSTALLATION OF THE ROOF FLASHING

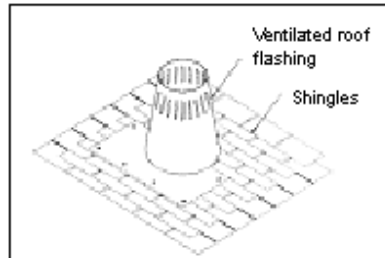
1. Be sure to have the good roof flashing. Verify the angle of your roof with a level and two graduated rulers or with a measure card for roof angles. See drawing.



2. A firebreak is necessary only when the chimney is partitioned in an attic. The radiant firebreak must be installed starting at the top of the joist and must be supported by the two “L” supports on the sides. Make sure that the chimney is well balanced. Nail the roof firebreak through the supports before the installation of the roof flashing.



3. Slide the roof flashing over the chimney. Place the superior border of the flashing plate under the shingles. Place the two sides and the inferior border over the shingles. See drawing.



4. Square the flashing plate and nail it on the roof by using 12 nails with neoprene rings or cover the heads with a waterproof mastic.

5. Roll up the flashing collar around the chimney over the flashing and fix the ends together with the nut and the bolt without tighten. Slide the flashing collar on the chimney until it touches the flashing guides. Tighten the nuts and the bolt and seal the flashing collar to the chimney with a non combustibile mastic.

6. The flashing and the collar should be painted to look like the roof shingles. Their lives will be extended and the appearance of the installation improved. Clean, prepare and paint it with appropriate products.

7. Continue to add chimney sections until you acquire the desired length. See the chimney manufacturer's instructions

8. Install a hat (regular or luxury model) and tighten in place by turning it to the right until it is hermetic.

9. If the chimney extends over 2m (6 ft) over the roof, roof shrouds will be necessary. The JURGK-1 model suits to this installation. The support stripe must be stapled around the chimney and the two legs bolted to the chimney.

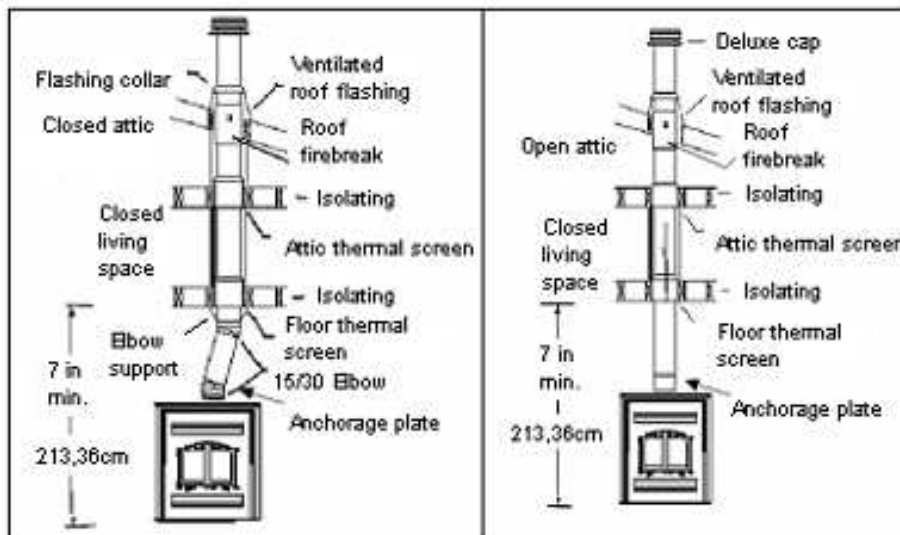
WARNING :	DO NOT BLOCK THE FAN OPENINGS IN THE FLASHING.
------------------	---

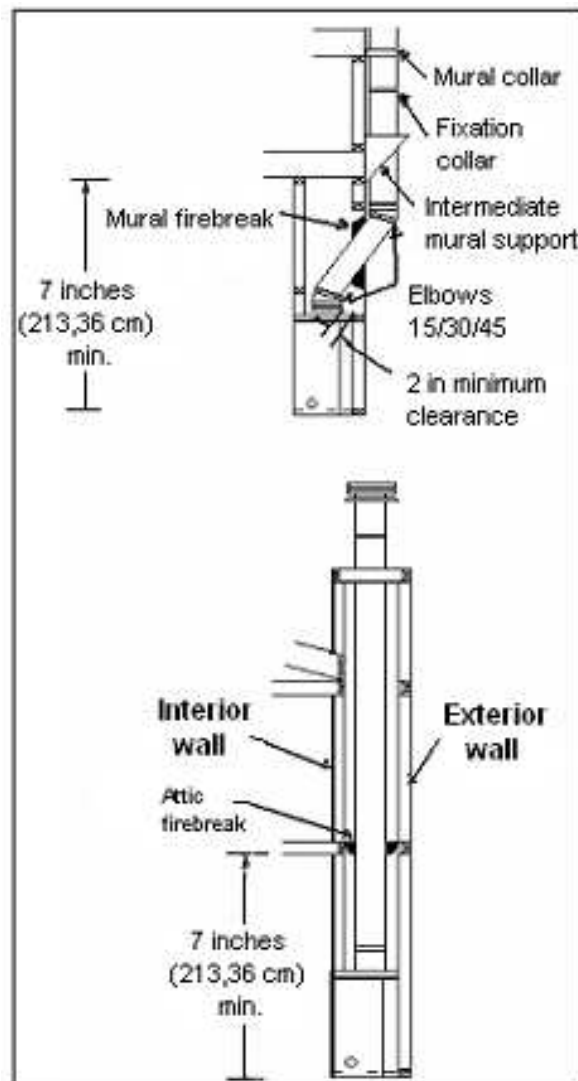
NOTICE :	LIFT THE SHINGLES AND NAIL THE SUPERIOR BORDER OF THE FLASHING PLATE TO THE ROOF. THEN, GLUE THE SHINGLES WITH A WATERPROOF MASTIC.
-----------------	--

BLOWHOLE SYSTEMS AUTHORIZED

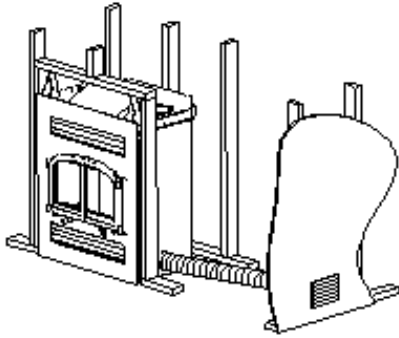
Manufacturer	Model	Chimney depth	Necessary component with the Evolution fireplace
Cheminée Sécuritée Int.	Secure temp S-2100+	2	Attic firebreak (6 RSA) non isolated
Oliver Macleod	HT 6000+	2	Attic firebreak (6 RSA) non isolated
Selkirk Metalbestos Ltd	CF Sentinel	2	
Selkirk Metalbestos Ltd	Ultra Temp	1	Roof radiant firebreak JSC 6 RRS
Superpro	ALT	2	
Superpro	SPR	1	Roof radiant firebreak JSC 6 RRS
Supervent(GSW)	JM	2	
Supervent(GSW)	JSC	1	Roof radiant firebreak JSC 6 RRS
Simpson Dura Vent	Dura Plus HTC	2	
Simpson Dura Vent	Duratech	1	Roof firebreak C9089 (for 6" and 7")

*Every chimney should be installed with ventilated flashings.





EXTERIOR AIR CANALIZATION



Install the exterior air canalization high enough so that it will not be blocked by the snow and plan an anti-rodent grid. You should not take the air from a garage, a carport or an attic. Your *Evolution* fireplace can bring exterior air to your fireplace. The maximum length of the 4" isolated conduct is of 20 feet. If your conduct is longer, widen the diameter to 5 inches. It can be installed over or under the floor level of your fireplace. The conduct should not exceed 12 feet of vertical climb from the base of your fireplace.

Insert the isolated flexible conduct on the exterior air access adaptor and on the air admission connector. On both ends, bring back the isolation and plastic cladding on the flexible conduct. Fix each extremity with metal screws and apply aluminium tape over the conduct in order to seal this part.

The *Evolution* fireplace can use exterior or interior air. To use exterior air, open the sliding door on the inferior right side of the fireplace. To access this door, open the inferior blinds and slide your hand to the sliding door handle.



Admission air connector



Sliding door handle

INTERNAL BLOWER (FANS AND THERMODISC)

You can add an internal blower to your *Evolution* fireplace. This kit is a standard at J.A. Roby inc. It includes two fans and a thermocouple lightly noisy and easy to install. The connection must be done by a qualified electrician. The internal and central blower wiring must be installed during the construction of the frame so that the cords can be easily hide. The internal blower kit can be the same as used on other J.A. Roby products. However, when used into the Evolution, you must cut the plug and use a junction box.

Installation : Open the inferior blinds, fix a square fan (with grid) of 4 in by 4 in of each side of the ashtray with the screws given in the blower kit. The thermodisc box must be installed at the left along the exterior side and the junction box to the right on the floor, where you find the air entry control. See pictures.



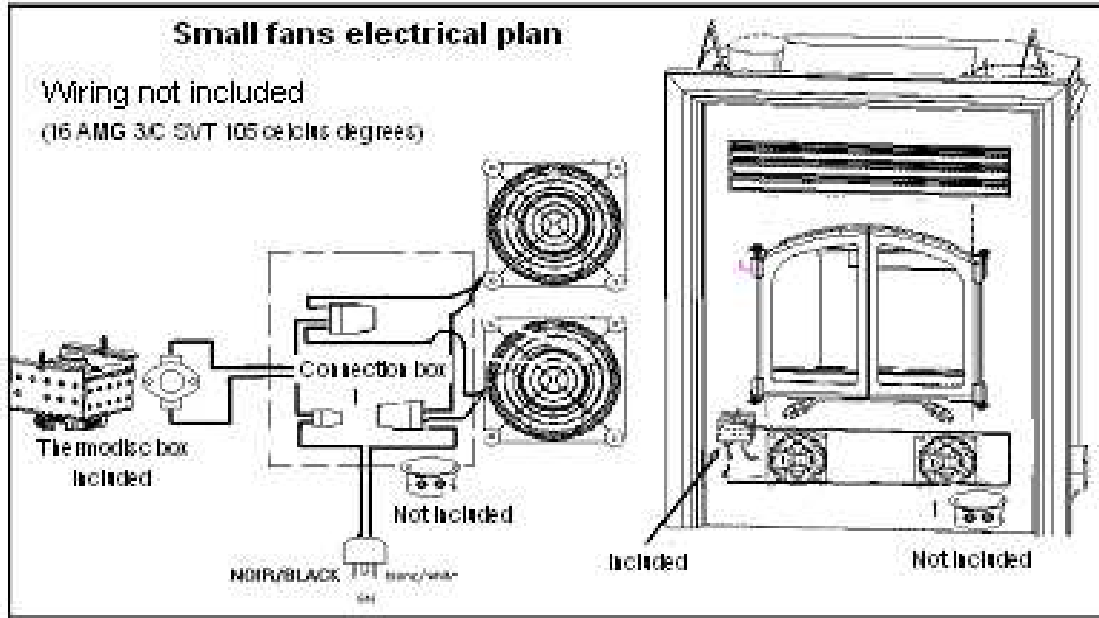
To open the blinds, lift up the right side and place them perpendicularly to the appliance. Lift and remove them.



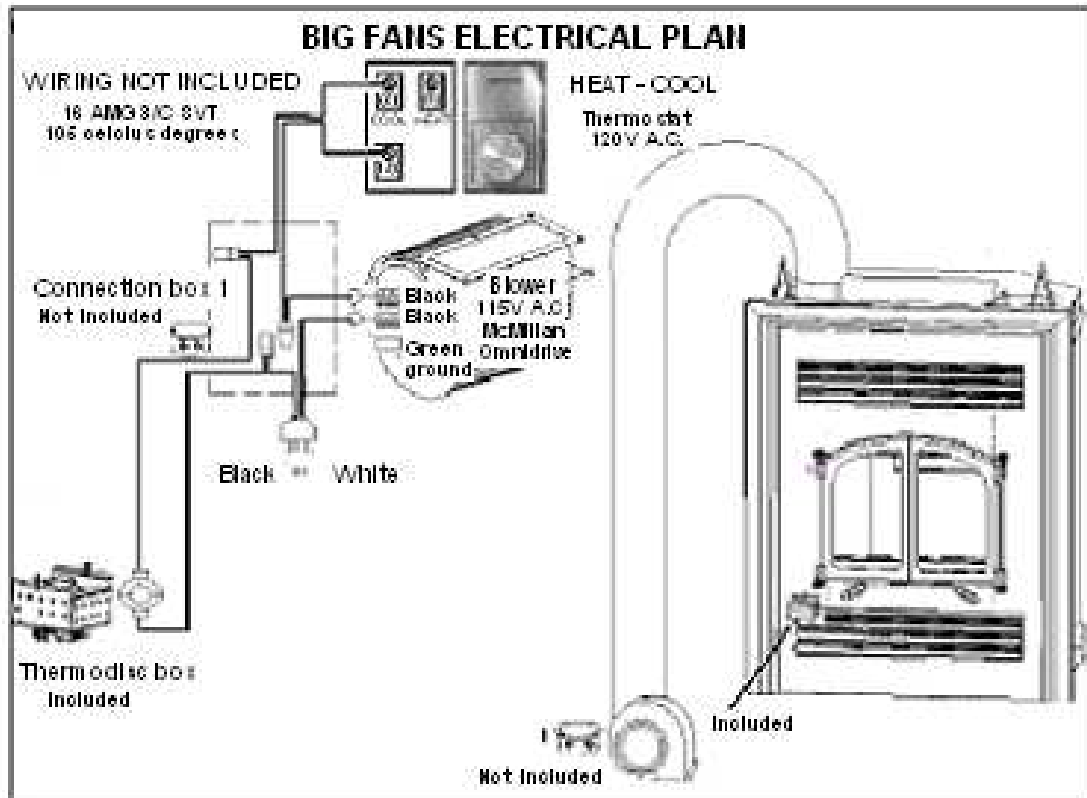
A 3/16 bolt already welded in the interior allows to fix the thermodisc box. Two holes on the left side of the fireplace are provided to take out the wire (a connector is necessary).

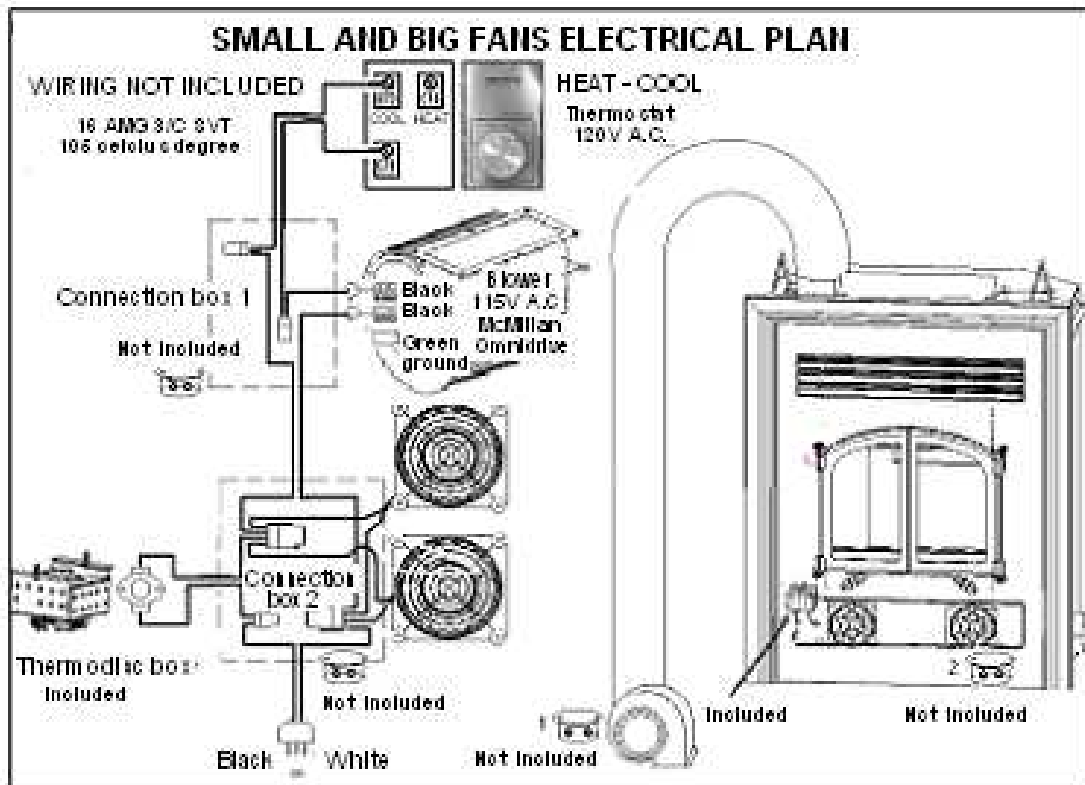


ELECTRICAL PLAN OF THE FANS



Wiring must be done by a qualified electrician.





WIRING MUST BE DONE BY A QUALIFIED ELECTRICIAN.

BLOWHOLE BY NATURAL CONVECTION

Blowhole by natural convection can deliver air to a superior level or an adjacent room without needing a blower. This system can be used jointly with optional blowers. Adjust manually the register to your needs. The blowhole system by natural convection can be used in position "open" or "close".



Register

Control rod

The blowhole by natural convection kit includes:

- Starting collar.
- Decorative grid with the retain collar.
- 5' isolated flexible pipe (200^{of}) (SIS).
- Register with a rod.

NOTES: Do not install a back draft valve on the blowhole system by natural convection. In the fireplace fitting, each conduct must be an isolated flexible pipe (SIS). At the exterior of the fitting, each conduct must be an isolated pipe with a plastic envelope (RIG).

You must never bring downstairs an hot air canalization. It must always be ascending.

CENTRAL BLOWER

- Blower.
- Back draft valve.
- Starting collar.
- Finishing grid.
- Thermodisc.
- Kit union / collar (ATCUP)
- 8 feet pipe (5' SIS and 3' S).



The *Evolution* fireplace has two air exits on the top of the appliance. When you want to plug the central blower, use the left exit (when you face the fireplace). The right one is only for the blowhole by natural convection. The fan system must not end in the attic.

- To begin the installation of the blower kit, remove the metallic circle on the left top of the appliance. Remove the wool round, open the top blinds, remove the metallic cap from the same hole but this time, from the interior.
- Install the back draft valve, centre on the top and fix it with 4 screws.
- Install one starting collar and fix it with 4 screws.
- Install the blower at a place where it will be easy to inspect and maintain. If you want to install only one grid in order to transfer the warmth of your *Evolution* to a superior floor, fix the floor grid to the fan and fix it between the joists. If you want to dispense hot air to several rooms, fix the exit adaptor of the rectangular fan for round pipes and continue with round pipes. This last part can be a flexible pipe isolated with a plastic envelope or a fan conduct.

NOTE: If you do not install the back draft valve with the central blower, it could seriously compromise the security of your installation.

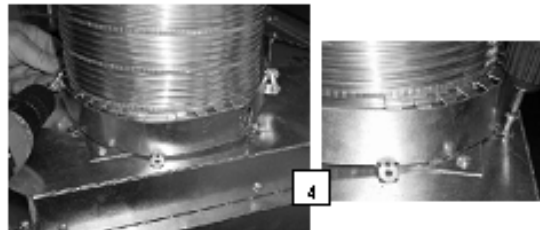
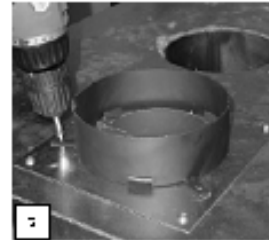
INSTALLATION OF THE 460 CFM FAN



1. Fix the butterfly valve with 4 screws (1/2").

2. Put in place the starting collar and fix it with 3 screws (1/2").

3. Insert the SIS pipe into the starting collar.

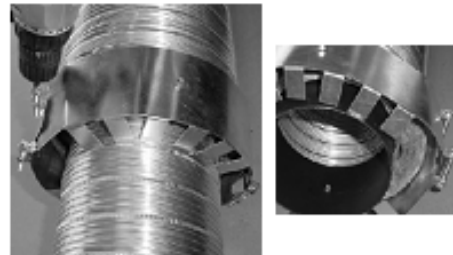


4. Install the retaining collar with 2 bolts of $\frac{1}{4}$ " X 2" and tighten on the isolated pipe. Fix with 6 screws.

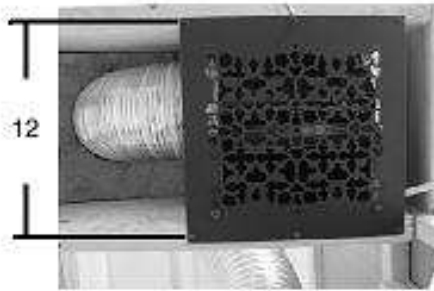
5. Use the collar/extension union kit to adapt an isolated double pipe with a single pipe. Screw the two screws of 2" at a depth of 1/8". Do not screw more.



6. Place half of the union inside the double SIS pipe. Place the single pipe at the other extremity and tighten the 4 bolts of $\frac{1}{4}$ " X 2".

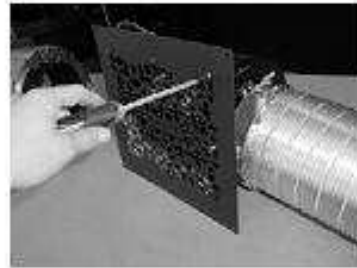


6



7. Screw the grid on the basement ceiling with 6 wood screws of 1 1/2". The necessary space between the joists must be of 12, centre in centre.

8. Screw the fan grid (GV460) by using 5 bolts (1" X 1/4") with locks.



9. Fix it all with 6 screws.

10. Install the retaining collar with two bolts (1/4" X 2") and then tighten all on the single pipe.



11. Install the starting collar on the 460 fan with 3 screws. Make sure that the collar is well centred with the squirrel cage.

EXTRUSION

Your *Evolution* fireplace is delivered with an extrusion which allows a good quality of finishing and is easy of installation. When the gypsum wall is finished, you only have to slide the extrusion on each side of the fireplace. Then, insert the superior part and the finishing is completed.

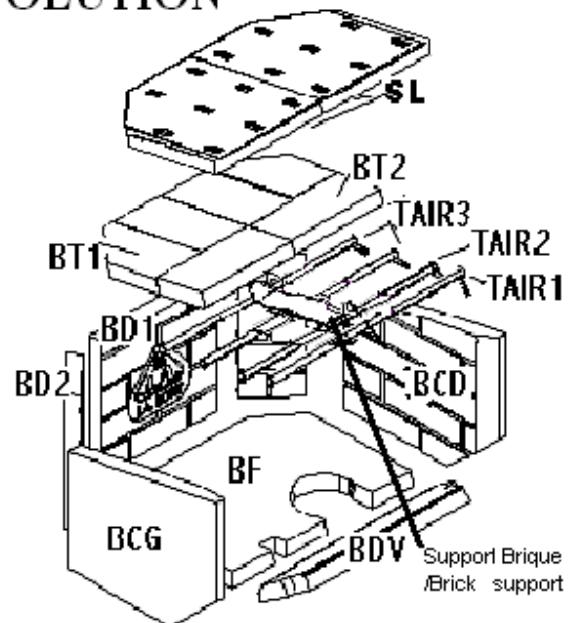
INSTALLATION OF THE FIREBRICKS

Your *Evolution* fireplace includes a firebricks kit. They must be installed as follow:

- Remove the front pipe.
- Place two metal pieces (SL) and ceramic wool over the brick.
- Install the 2 firebricks of the top (BT1), then place the 4 others (BT2).
- Replace the pipe and fix it with screws.
- Place the bricks at the back (BD1), followed by the two angled bricks (BD2).
- Then, install the left and the right side bricks (BCG et BCD), followed by the bottom brick (BF).
- To finish with, place the angled brick at the front.

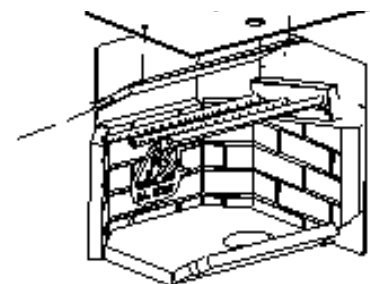
To remove the deflector, remove the pipes, the bricks supports and the ceiling bricks of the combustion chamber, then unscrew the 2 bolts retaining it. It is not necessary the remove the deflector when sweeping.

ÉVOLUTION



$$A = 9 \times 4.5$$

$$E = \begin{array}{|c|} \hline 5 \\ \hline \text{---} \\ \hline 9 \\ \hline \end{array} = 1$$



DOORS ADJUSTMENT



Bolt

Locking ring

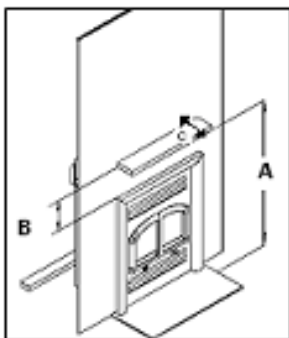
Nut

Your *Evolution* fireplace is a model with two cast iron doors. Each door can be adjusted (height, width and depth). To adjust, unscrew the four nuts, close the left door first then the right one. Adjust the arc over the doors to align it and the centre of the two doors. Firmly maintain the two doors against the facade and tighten the 4 nuts. You have an adjustment screw under the centre of the two doors. The more screwed it is, the more tighten the doors will be on the front.

For the single door option, firmly maintain the door against the front and tighten the 2 nuts (left side).

SHELF

A masonry shelf or of any other non combustible material can be installed directly over the fireplace extrusion. If you use a shelf made of combustible material, the height from the base of the fireplace must be at least of 48" for a shelf depth of 6", or of 52" for a depth of 8", or of 54" for a depth of 10".



Minimum distance from the base to the shelf (A)	Minimum distance from the fireplace moulding to the shelf (B)	Maximum shelf depth (C)
48" (122cm)	8 3/8" (21,5cm)	6" (16cm)
52" (132cm)	12 3/8" (31,5cm)	8" (20,5cm)
54" (137cm)	14 3/8" (36,5cm)	10" (25,5cm)

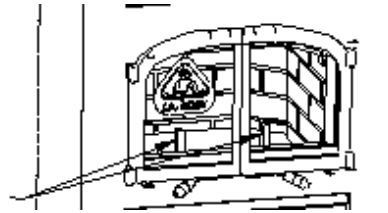
LIGHTING

Before lighting the first fire, be sure to clean every dirt or fingerprints if you don't want to permanently mark your fireplace.

To light a fire, place newspapers and small wood. Then, add small wood logs. Light the fire and let the door slightly open. Once the fire is well lit, add bigger wood logs and close the doors.

NEVER use inflammable liquids.

NOTE : PLACE THE FIRE BEHIND THE TWO FIREDOGS.



FIREGUARD

When the fireplace is used with doors completely open, you must use a fireguard. It will avoid burning your floor. You should not let the fireplace without supervision when using it with a fireguard.



THE UTILIZATION OF THE FIREGUARD IS AUTHORIZED ONLY IF INSTALLED WITH A 2100° CHIMNEY ACCORDING TO THE CAN\ULC-S629 NORM. THE 1800° CHIMNEY APPROVED ACCORDING TO THE ULC-S604 NORM IS NOT ACCEPTED FOR AN OPEN DOOR UTILIZATION WITH A FIREGUARD.

To install the fireguard, place it perpendicular to the front of the appliance. Insert the top pin in the provided hole and then, insert the bottom pin. Always use incombustible gloves or a poker to open the fireguard.

You should not let the fireguard when the doors are closed and the appliance in function. It could burn the grilling.

PREVENTIVE MEASURES AND MAINTENANCE

Verify the accumulation of creosote every week that you use the appliance until you know at which frequency it must be cleaned (minimum once per year). Remove every creosote deposit in order to prevent chimney fires. A sweeping is recommended if there is an accumulation of 1/8 inches. To sweep, you must remove the ceiling pipe located at the front of the combustion chamber, the bricks and the ceramic wool. When the sweeping is finished, put all back.

At the end of each season, verify the air tightness joints. Replace if damaged. An air infiltration by a non air tightness joint could be the cause of several inconveniences.

Before lighting the first fire, clean the gold plated surfaces using a very soft rag moistened with water. **Do not use a paper towel to clean it.** If they are not erased before the first fire, the fingerprints and other marks could stain these surfaces permanently.

An extended combustion at a high temperature with the door slightly open or the ashes cap not properly positioned could cause a permanent decoloration of the gold plated doors.

The *Evolution* fireplace is equipped with an ashtray allowing to clean the firebox easily. Open the doors, remove the ashes cap and, with a poker, wipe out the ashes (be sure that the ashtray is in place). When the ashtray is full, open the down blinds, remove the ashtray and place the ashes in a secure box (metallic box with a cap). Never empty the ashes while hot. The ashtray was not conceived to receive hot ashes.

Glass maintenance

A hot fire will maintain the glass clean. If your glass becomes dirty, the cause might be:

- A too slow combustion (combustion not hot enough).
- Utilization of green or moist wood.
- Lack of draught of the chimney.
- Be sure that there is enough air to realise a complete combustion.
- Do not build the fire too close from the glasses.
- Do not knock on the doors in order to avoid the breaking of the glasses.

To clean the glasses, J.A. Roby Inc. recommends using products sold for this purpose or an oven cleaner. Avoid cleaning with abrasives or when the glass is hot.

In case of a glass replacement:

- Remove the screws and supports retaining the glasses.
- Remove the broken glasses.
- Envelope the frame of the new glass with a fibre glass joint.
- Replace the glass.
- Replace the screws and the support.

REPLACE THE BROKEN GLASSES BY VITROCERAMICS GLASSES OF 5MM.

DO NOT USE SUBSTITUTES !

INTERCHANGEABLES PARTS LIST

- Firebricks
- Back bricks (BD1)
- Bottom angled bricks (BD2)
- Left side bricks (BCG)
- Right side bricks (BCD)
- Bottom bricks (BF)
- Top bricks (BT1)
- Top bricks (BT2)
- Metallic parts and ceramic wool (SL)
- Front bricks (BDV)
- Bolt kit for the door adjustment (KB) (Bolt, locking ring, nut)
- Internal blower (VENT)
- 1 fan (1 VENT)
- Fan grid (GV460)
- 460 CFM fan (VENT460)
- Retaining collar (CR)
- Decorative grid with retaining collar (GDVCR)

- Register (RCN)
- Starting collar (ATCCD)
- Back draft (ATCVAR)
- Control rod (TRCN)
- Collar / Extending union kit (ATCUP)
- Inversed thermostat (ATCT)
- Exit adaptor (ATCAS)
- Front frame (ATCCF1) (ATCCF2) (ATCCF3)
- Blinds (ATCPERO) (ATCPERC) (ATCPERN) (ATCPERE)
- Cast iron door (EVPN) (EVPO) (EVPC) (EVPE)
- Cast iron door (EV1PN) (EV1PO) (EV1PC)
- Glass (VIEV-2) (VIEV-1)
- Single pipe
- SIS pipe
- RIG pipe

***TO ORDER PARTS, PLEASE CONTACT YOUR AUTHORIZED RETAILER.**



STOVES & FIREPLACES

WARRANTY

J. A. ROBY LIMITED LIFE WARRANTY – WOOD BURNING STOVES & FIREPLACES

J. A. ROBY’s warranty only applies to original buyer and is non-transferable. This warranty covers brand new products only, which have not been altered, modified nor repaired since shipment from factory. The products covered by this warranty must be manufactured after review date indicated at the bottom of page. Proof of purchase (dated bill of sale), model name and serial number must be supplied when making any warranty claim to your J. A. ROBY dealer. Registered your warranty is not required.

The appliance must be installed by an authorized service technician or contractor. Installation must be done in accordance with the installation instructions included with the product and all local and national building and fire codes. Any service call related to an improper installation is not covered by this warranty. This warranty applies to normal residential use only. This limited warranty does not cover damages caused by misuse, improper installation, lack of maintenance, accident during transportation, alterations, power failure, venting problems, downdrafts, abuse, over firing or neglect. Operating the appliance on high for extended periods of time is neglect. Any defect or damage caused by the use of unauthorized parts or others than original parts void this warranty.

This limited warranty does not cover any scratch, corrosion, warping or discoloration. The manufacturer may require that defective products be returned and/or that digital pictures be provided to support the claim. Returned products are to be shipped prepaid to the manufacturer for investigation. If a product is found to be defective, the manufacturer will repair or replace such defect. The transportation fees to ship back the product to the purchaser will be paid by the manufacturer². The external labour fees related to warranty repair are not covered. The manufacturer may at its discretion, decide to repair or replace any part or unit after inspection and investigation of the defect. The manufacturer may at its discretion, fully discharge all obligations with respect to this warranty by refunding to the original warranted purchaser the wholesale price of any warranted but defective part (s). The manufacturer shall not in no event be liable for any special, indirect or consequential damages of any nature whatsoever which exceeds the original purchase price of the product. All parts replaced under this limited life warranty are subject to a single claim.

Any damage to the appliance, combustion chamber, heat exchanger, enameled cast iron cooking plate or other components due to water, weather damage, long periods of dampness, condensation, damaging chemical or cleaner will not be the responsibility of J. A. ROBY. Failure of any components which is attributed to poor maintenance, is not warrantable and will not be covered by this policy. J.A. ROBY neither assumes, nor authorizes any third party to assume, on its behalf, any other liabilities with respect to the sale of this product.

The manufacture of your new appliance and the following materials are warranted against defects as mentioned below:

WARRANTY DESCRIPTION	100%	50% current retail price
Ashtray, handles, doors and cast iron legs	Life	
Combustion chamber	5 years	From 5 years to life
Secondary air tubes	5 years	
Heat exchanger	2 years	From 2 years to life
Switches, thermodisc, wiring and electrical components, standard blowers and rheostat	2 years	
Tempered glass, optional blower and gasketing	1 year	
Ceramic glass (thermal breakage only ¹)	1 year	
Replacement parts (with proof of purchase)	90 days	

Due to on-going product improvements, all specifications and design are subject to change without prior notice.

Before shipping your unit or defective component to our plant, you must obtain from J. A. ROBY dealer an authorization number. Any merchandise shipped to our plant without authorization will be refused automatically and returned to sender.

1= Digital pictures required 2= Shipping cost are not covered outside CANADA Review oct. 2014

US ENVIRONMENTAL PROTECTION AGENCY

MEETS EPA PARTICULATE MATTER (SMOKE) CONTROL REQUIREMENTS FOR NONCATALYTIC WOOD HEATERS BUILT ON OR AFTER

SMOKE



EFFICIENCY.



WOOD HEATERS WITH HIGHER EFFICIENCIES COST LESS TO OPERATE

(NOT TESTED FOR EFFICIENCY. THE VALUE INDICATED IS FOR SIMILAR NONCATALYTIC WOOD HEATERS.)

HEAT OUTPUT

9,043 to 28,674 Btu/Hr

USE THIS TO CHOOSE THE RIGHT SIZE APPLIANCE FOR YOUR NEEDS. ASK DEALER FOR HELP

THIS WOOD HEATER WILL ACHIEVE LOW SMOKE OUTPUT AND HIGH EFFICIENCY ONLY IF PROPERLY OPERATED AND MAINTAINED. SEE OWNER'S MANUAL.

US ENVIRONMENTAL PROTECTION AGENCY

MEETS EPA PARTICULATE MATTER (SMOKE) CONTROL REQUIREMENTS FOR NONCATALYTIC WOOD HEATERS BUILT ON OR AFTER

SMOKE



EFFICIENCY.



WOOD HEATERS WITH HIGHER EFFICIENCIES COST LESS TO OPERATE

(NOT TESTED FOR EFFICIENCY. THE VALUE INDICATED IS FOR SIMILAR NONCATALYTIC WOOD HEATERS.)

HEAT OUTPUT

9,043 to 28,674 Btu/Hr

USE THIS TO CHOOSE THE RIGHT SIZE APPLIANCE FOR YOUR NEEDS. ASK DEALER FOR HELP

THIS WOOD HEATER WILL ACHIEVE LOW SMOKE OUTPUT AND HIGH EFFICIENCY ONLY IF PROPERLY OPERATED AND MAINTAINED. SEE OWNER'S MANUAL.