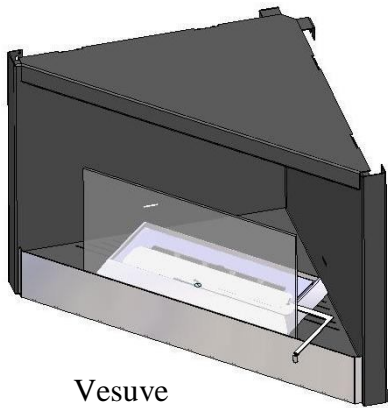


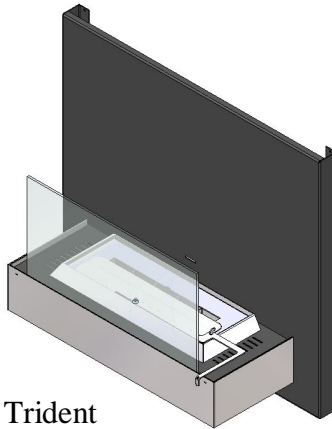


Warmth from the heart of J.A. ROBY INC.

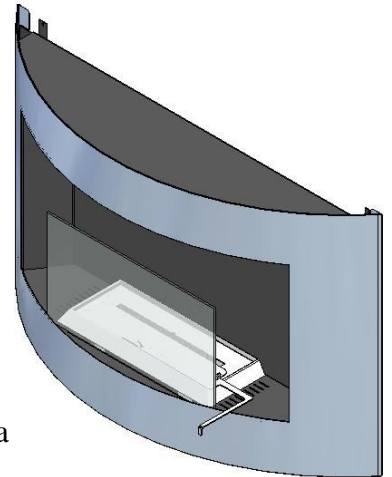
VOLCAN B12 SERIES



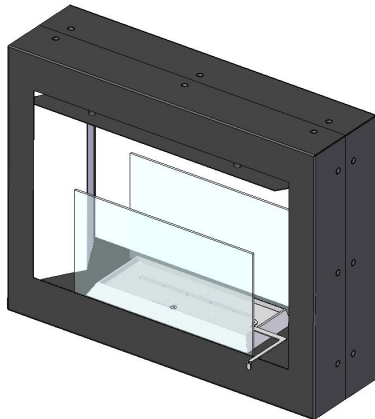
Vesuve



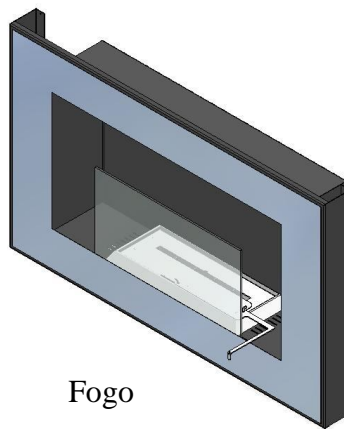
Trident



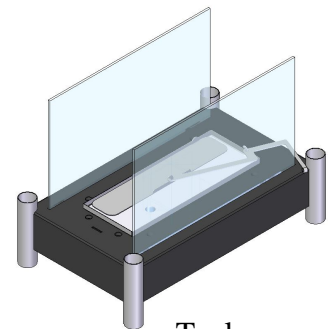
Laguna



Kilauea



Fogo



Taal
Especially Designed for
fireplace hearth

ETHANOL FIREPLACES
Certified as per ULC/ORD C627.1-2008
UL Subject 1370-2010



Revised June 1st, 2013

490, rue de l'Argon
Québec (Québec) G2N 2C9
Téléphone.: 418-849-8095 Fax : 418-849-0077
www.jaroby.com

TABLE OF CONTENTS

TABLE OF CONTENTS.....	2
CHARACTERISTICS	2
FIREPLACE LOCATION	3
WARNING.....	3
INSTALLATION ON WALL	6
SECURING THE INSTALLATION	7
LOCATION OF APPLIANCE	8
BEFORE FUELING AND IGNITING	12
BURNER INSTALLATION.....	13
REFILL.....	14
STARTING UP	15
EXTINGUISH	16
MAINTENANCE	16
ETHANOL FIREPLACES INSTALLATION GUIDE	17
Volcan B12 – TRIDENT	17
Volcan B12 – VESUVE	18
Volcan B12 - LAGUNA.....	19
Volcan B12 - KILAUEA	20
Volcan B12- TAAL	22
Volcan B12- FOGO.....	23
PART TO ADD WITH KILAUEA FIREPLACE.....	21
WARRANTY	25

CHARACTERISTICS

CLEARANCES	
Floor	Trident and Laguna : 12" (304.8mm) Fogo, Vesuve and Kilauea : Combustible
Lateral wall (left or right) (See P.7 Fig. 2)	12" (304.8 mm)
Opposite wall (See P.8 Fig. 4)	36" (914.4 mm)
Rear wall	0" (0 mm)
Air circulation (See P.9 Fig.6)	1" (25.4 mm)
Appliance Front	24" (609.6 mm)
Top of burner (See P.7-8 Fig. 2, 3, 4 ,5)	40" (1016 mm)

***ALWAYS USE J.A. ROBY ETHANOL WITH YOUR APPLIANCE OR YOUR WARRANTY WILL BE CANCELED.**

FIREPLACE LOCATION

You have just acquired an *unvented decorative fireplace*. The location of your J.A. Roby Inc. appliance is the key to an efficient, safe and easy use of your new appliance.

Your decorative fireplace must be installed in a well aerated and easy access place to enable ignition, filling and extinction of the burner

The fireplace must be installed on a solid wall

For your safety, make sure to use the screws included in package to secure the fireplace onto the wall which will provide stability to your fireplace.

It is mandatory to follow the clearances for the installation of the fireplace.

WARNING

Before installing, please take a few minutes to read this handbook carefully and also read the warning notice on the ethanol fireplace (yellow and orange). Keep it in a secure and easily reachable place for future references. If this appliance is not properly installed, it could cause fire damages to the property, injuries or death.

WARNING

- Never use other liquid than ethanol. Failing this can cause material damages, injuries, fire, explosions or even death.
- Minimum clearances must be observed.
- Risk of Indoor Air Pollution – Use unvented decorative appliance only in well ventilated areas. People with breathing problems should consult a physician before using an ethanol fireplace.
- Be sure to have a sufficient air supply in the room. If the appliance is used in a room smaller than 200 ft³ (5,7m³) for each 1000 Btu/h, the door of adjacent room should be kept open or a window to the outside open 1 inch (25.4mm) to guard against potential built-up of indoor air pollution.
- Do not leave the refueling liquid or an oxygen tank in same room.
- Do not remove the glass while operating.
- Do not move the burner while it's burning.
- Do not drink the ethanol.
- Do not operate while intoxicated.
- We recommend you to keep a distance of 36 inches (92cm) to your curtains.
- You must be 18 years old to operate the fireplace.
- This fireplace **cannot be installed** in a bathroom or a bedroom.
- Always keep an extinguisher near the fireplace.
- Store your ethanol container in a safe place away from children, animals and direct or indirect heat. Never store fuel in the living space.
- Do not pack required air spaces with insulation or other materials.
- This appliance has not been tested with an unvented gas log set. To reduce risk of fire or injury, do not install an unvented gas log set into appliance.
- This appliance has not been test for use with doors. To reduce the risk of fire or injury, do not install doors.

WARNING

- Risk of explosion
 - Never use any fuel other than the fuels specifically identified for use in the unvented decorative appliance. Never use gasoline.
 - Never store or transport the fuel in other than a metal or plastic container that is:
 - A) Acceptable for use with the specific fuel,
 - B) Non red in color,
 - C) Is in the original container for the (specific alcohol) Fuel.

Warning : Very hot while in function

- Keep children far away from the appliance.
- Never leave the appliance unattended.
- Do not use other liquid than J.A. Roby ethanol to light the fire.
- Do not use the fireplace to boil water or cook food.
- Always keep combustible materials (clothes, furniture, wood, carpet, matches, plastics & flooring) at a minimal distance of 24 inches (61cm) from the appliance.
- Keep away from flammable fumes and gasoline.

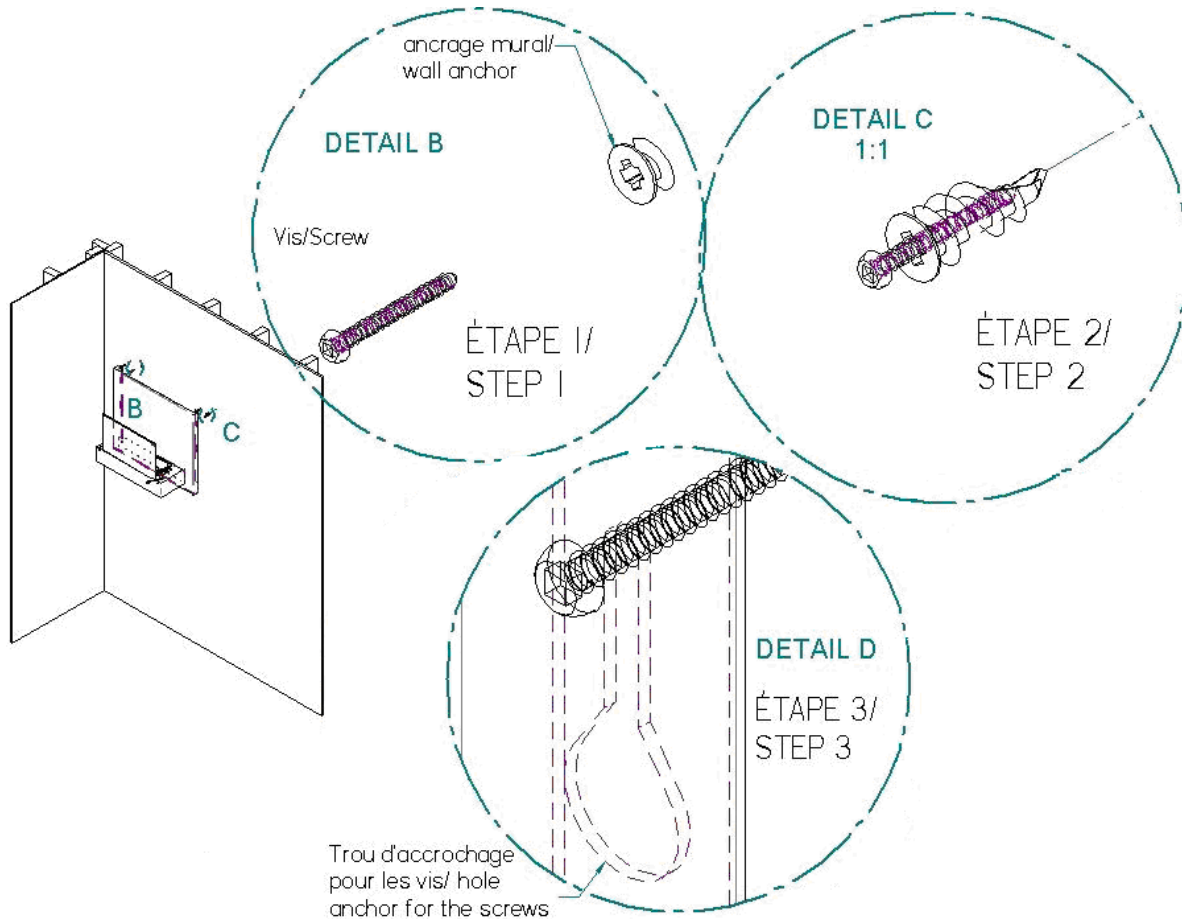
- When removing the film on the stainless part (when applicable) there might be a glue residue which can easily be cleaned with a stainless cleaner.

INSTALLATION ON WALL

A detailed explanation is provided for each model to p.16 à 22

Drawings for illustrations purpose only

Figure 1



To install, follow step 1, 2, 3.

1- Insert the wall anchors in the locations designed for it.

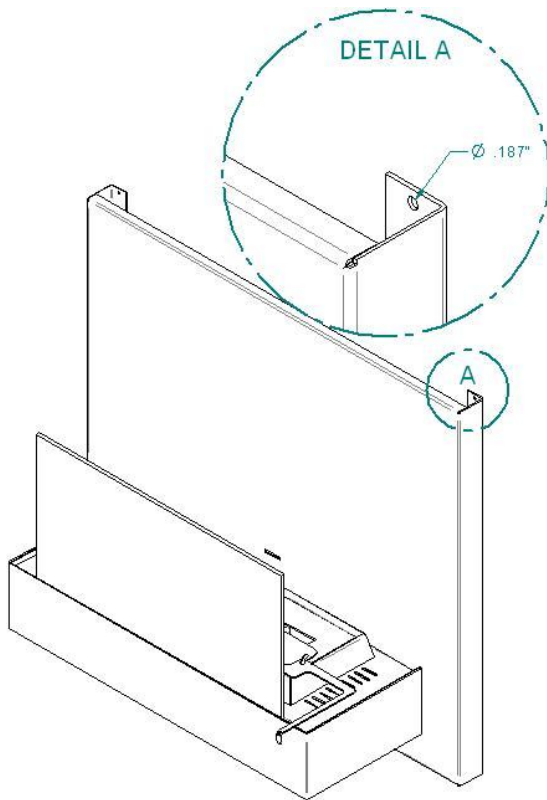
2 - Secure screws in the anchors and keep 5/16 inch between the head of each screw and the anchor.

3 - Hang the fireplace onto the screws.

* Screws and anchors included.

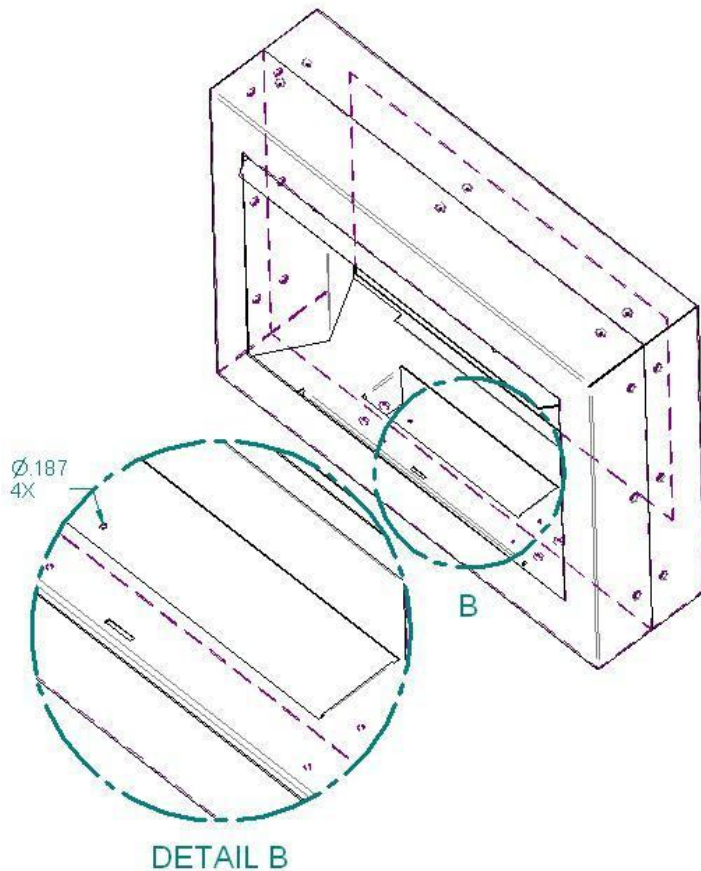
SECURING THE INSTALLATION

MODEL #1: Trident, Laguna, Vésuve et Fogo



Secure the installation by fixing two included screws in the places shown in the picture according to your fireplace model. Tighten the screw through the 0.187 inch diameter hole to secure the installation (Screw #10 x 1.5 inches long)

MODEL #2: Kilauea



Tighten the 4 retaining screw in the bottom of the fireplace through the 0.187 inch diameter hole to secure the installation. (Screw #10 x 1.5 inches long)

LOCATION OF APPLIANCE

Figure 2

Illustrated model: Trident
Idem for Laguna and Fogo
fireplace.

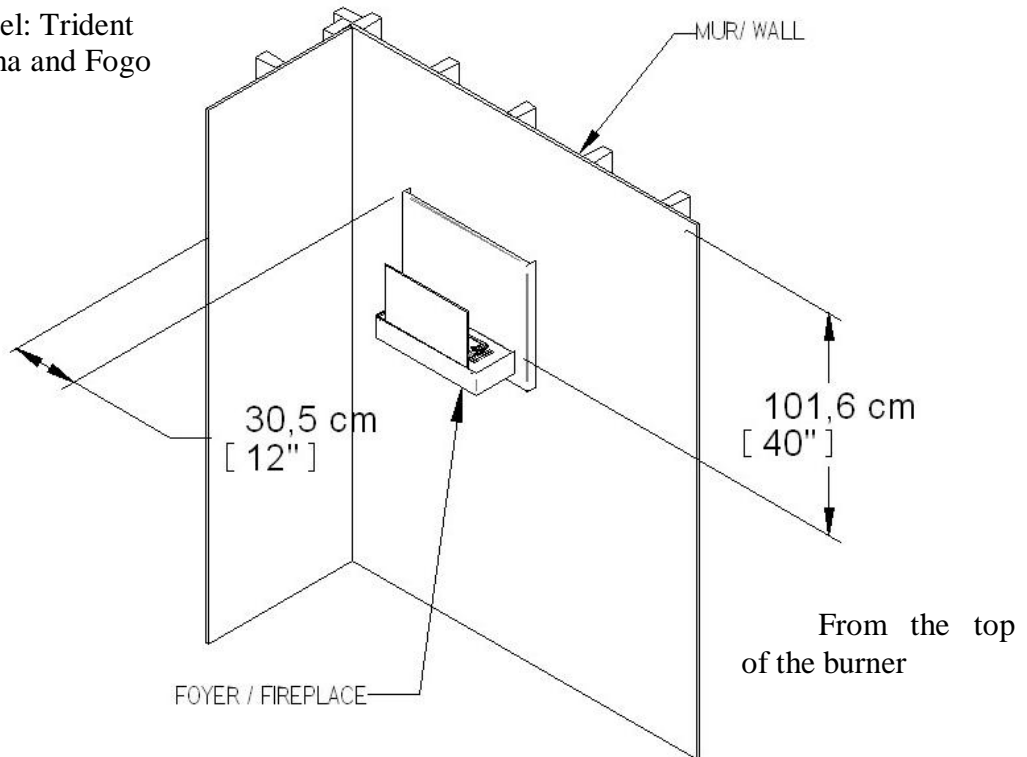


Figure3

Illustrated model: Kilauea

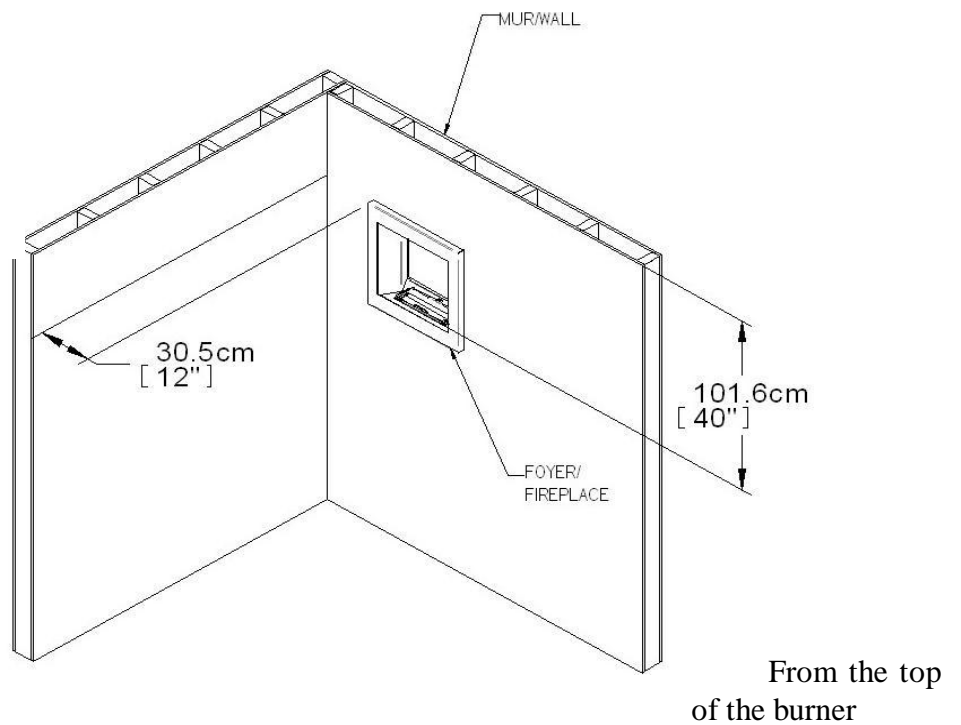


Figure 4

Illustrated model: Kilauea
Idem for Laguna, Fogo,
Trident and Vesuve
fireplace.

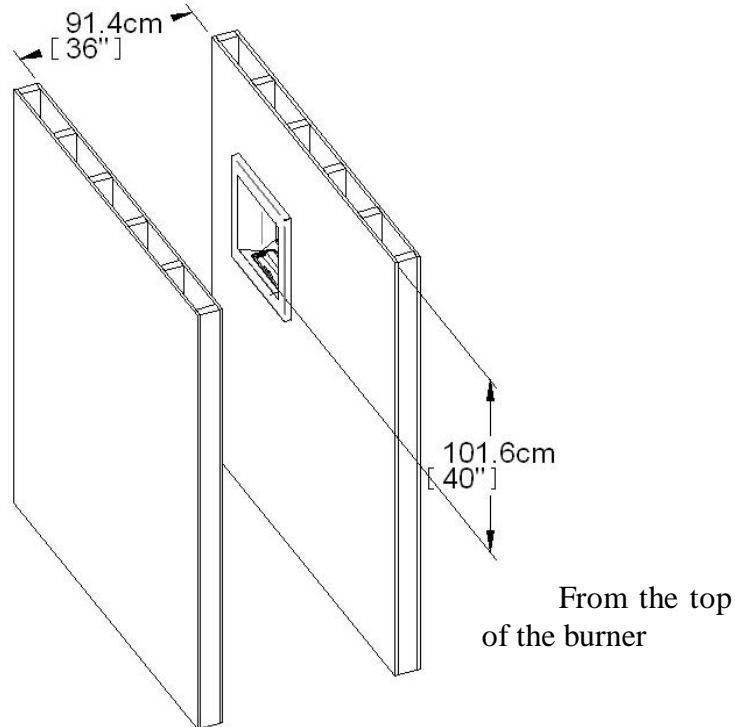


Figure 5

Illustrated model: Vesuve

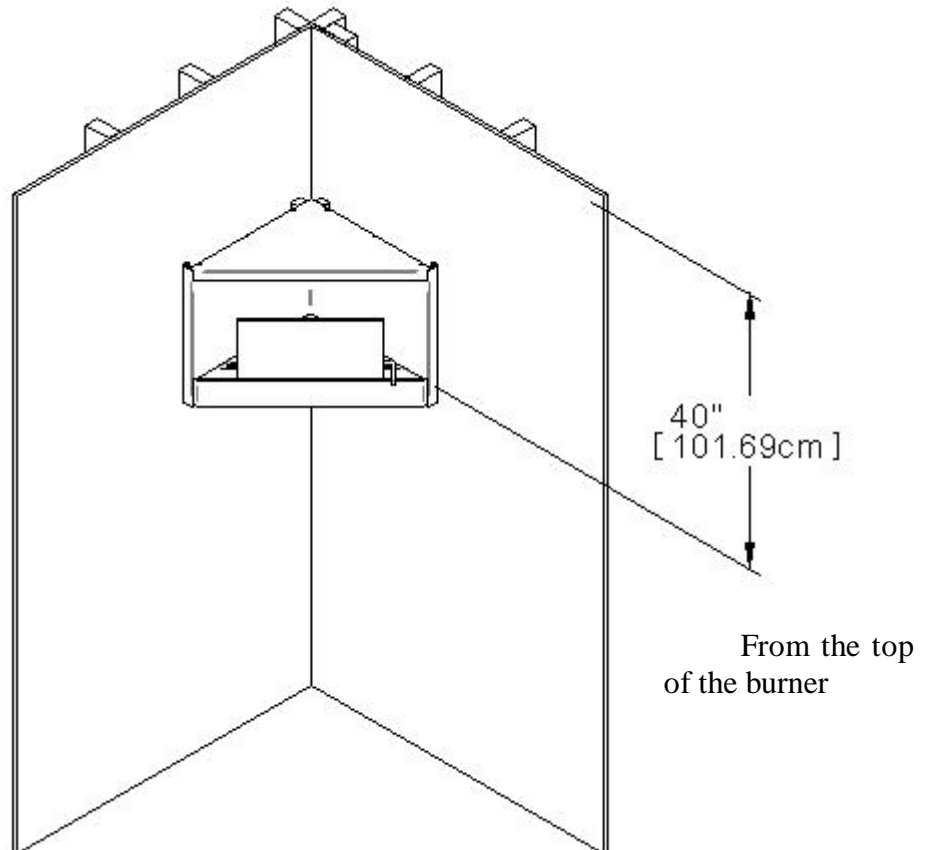
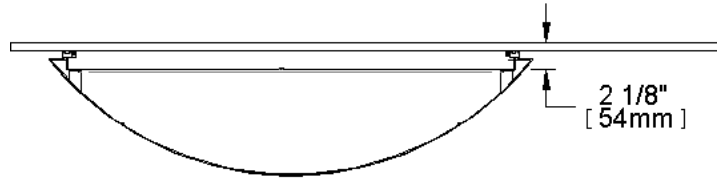
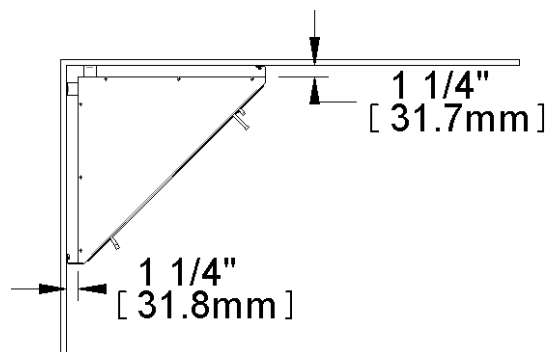


Figure 6

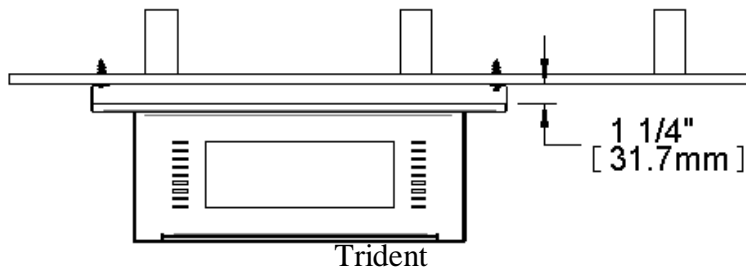
The Trident, Laguna, Fogo and Vésuve fireplace are designed to leave a ventilation space between the rear wall and the fireplace to let the air flow easily. Never block this ventilation space.



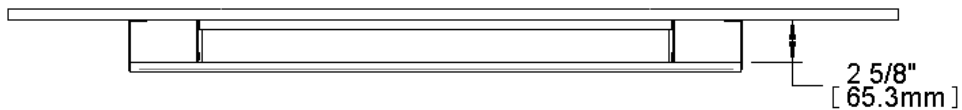
Laguna



Vésuve



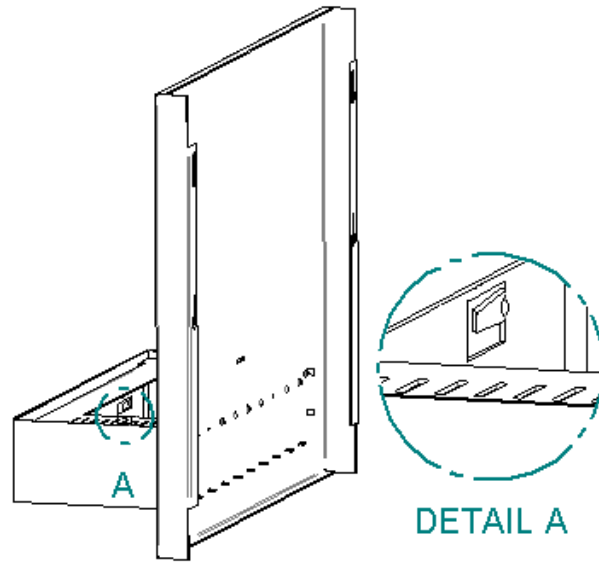
Trident



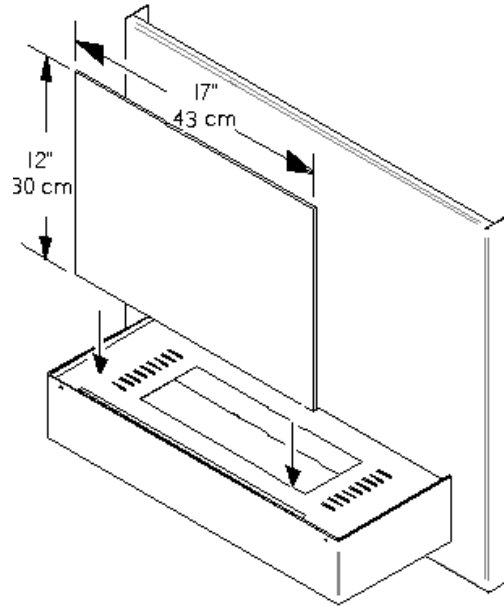
Fogo

Installation of the window

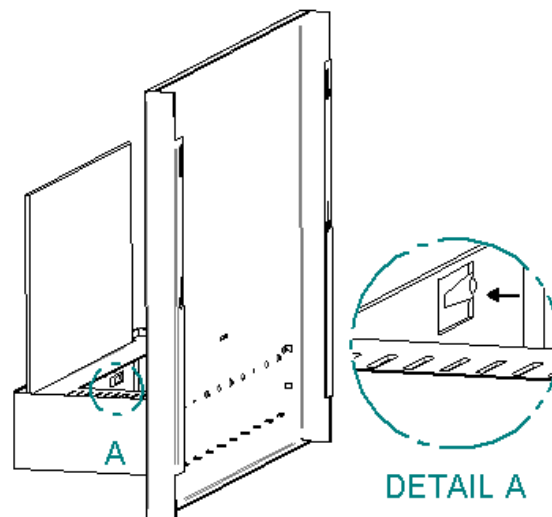
1- Locate both lock brackets inside the home. (See detail A).



2- Insert the window in its slot.



3- Apply pressure on the locks with your fingers and press them to the window.



BEFORE FUELING AND IGNITING

SAFETY MEASURES

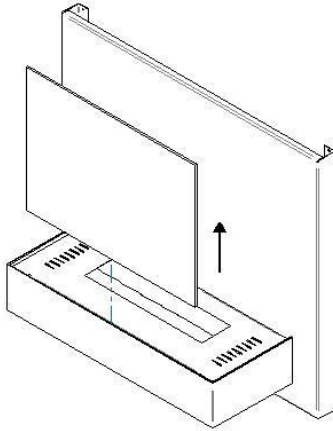
Only use J.A. Roby fuel with this fireplace

- **NEVER USE WATER TO EXTINGUISH FUEL BOX.**
- Use thermal gloves to handle the device.
- Keep fire extinguishing device (A-B-C type) close to the fireplace.
- To respect regulations, the fireplace should always be securely attached.

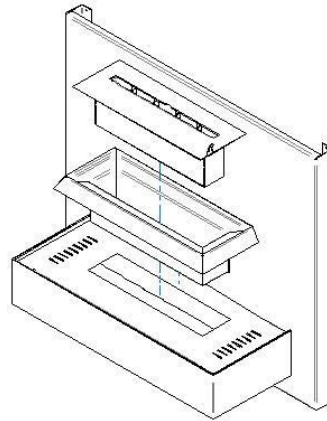
ETHANOL INFORMATION

- Ethanol does not tolerate cold
- This liquid tends to expand with heat.
- Must always be protected from sun rays
- Combustible: Vapors are heavier than air.
- Igniting hot ethanol will cause flare-ups

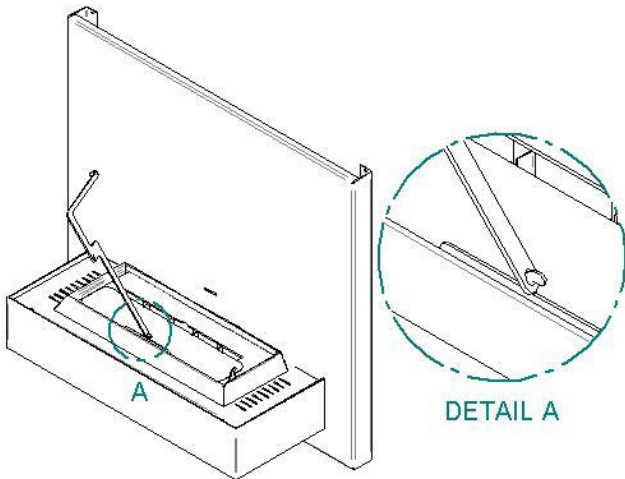
BURNER INSTALLATION



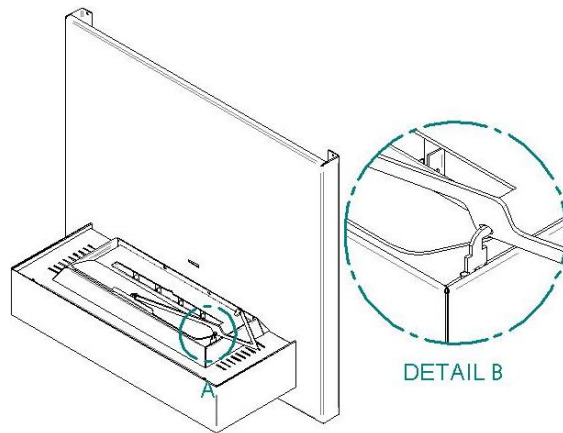
1. Remove the window by pulling up.



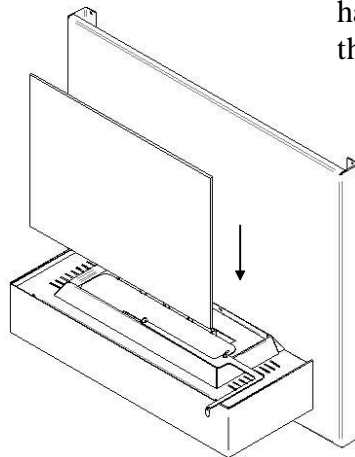
2. Insert the backflow protection tray in the fireplace, and then insert the burner into the tray. Orient the burner so that the groove of the burner is directed towards the rear of the home. (For the Kilauea the orientation of the burner is not required.)



3. Install the closing device by inserting the hook on the cover in the hole of the handle. (See detail A)



4. Insert the hook of the burner in the other hole of the handle to finish installation of the closing device (See detail B)



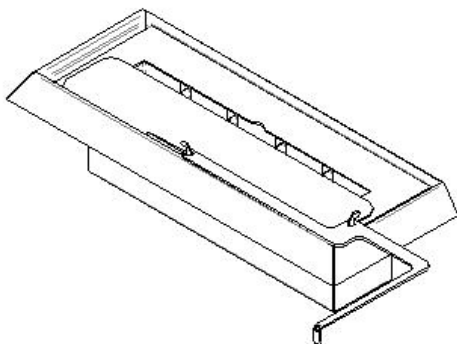
5. Put the window back on his place like shown in page 9.

REFILL

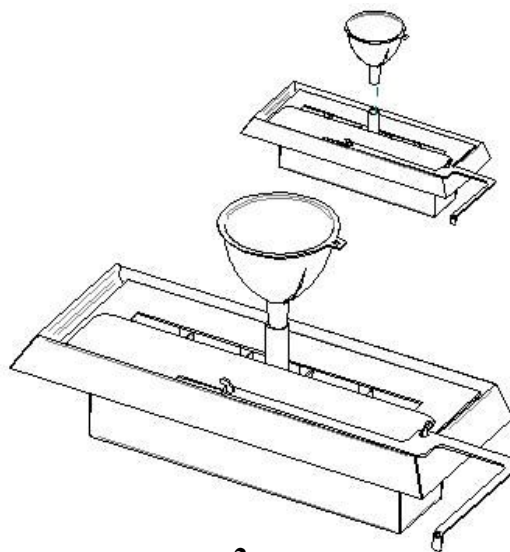
- **Always** position the burner so that the flames move towards the back of the fireplace, never to the glass.
- Pour the ethanol **CAREFULLY**
- **NEVER** pour fuel into a burning flame or hot burner.
- **ALWAYS** wait a minimum of 15 minutes to let the burner cool down before refilling.
- **DO NOT** exceeds the maximum capacity of fuel (1100 ml).

ALWAYS CLOSE THE LID BEFORE FILLING

How to fill the burner

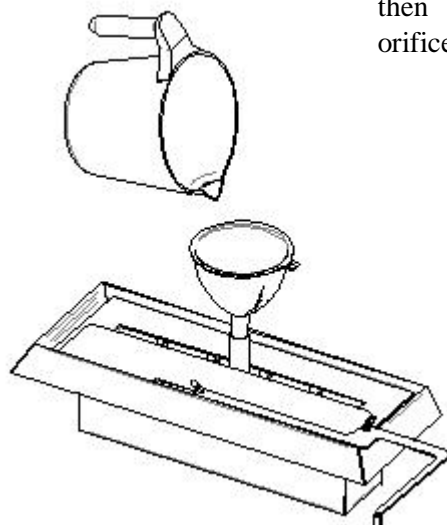


Position the lid in open position using the opening and closing stick.



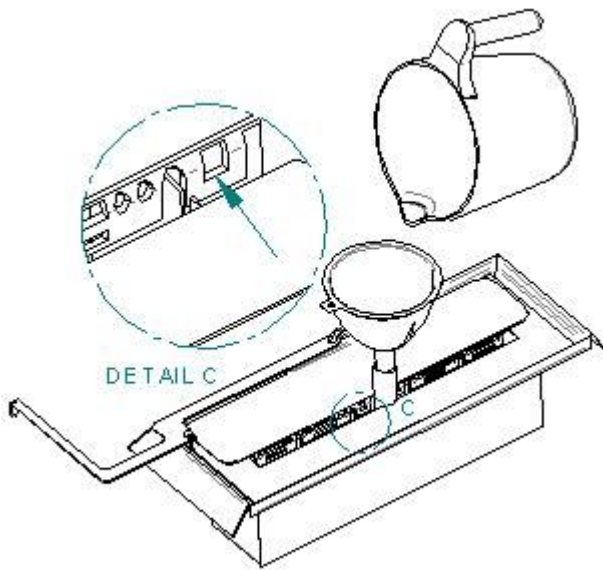
2

Install the funnel into the filling pipe then the pipe into the burner's orifice.



3

Pour the liquid ethanol in the funnel makes sure you do not overflow.



- 1-Let the lid in the open position like the picture
- 2-Once you have measured the liquid ethanol (MAXIMUM CAPACITY 1100 ml), use the funnel to pour the liquid in the supply hole.
- Never fill over the bottom of the square hole (see detail C in the picture)
- 3-Wash your hands and every object used for the transfer.

STARTING UP

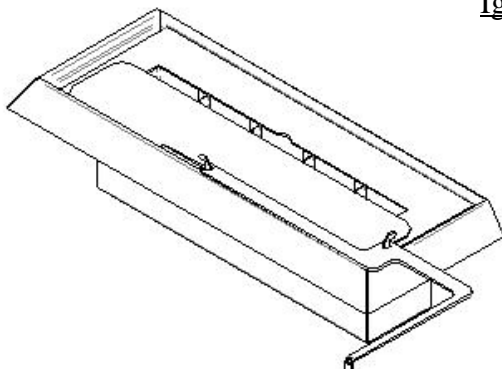
Caution

Before lighting, make sure there is no excess fuel. If there is an excess or spilling of fuel it must be sponge-up before lighting to avoid fire burns or damages.

- BEFORE THE STARTING UP, check the burner if it's full otherwise makes the 3 steps above. After read the following step.
- Store the fuel container and accessories away from the fireplace in a safe zone.
- Light-up the ethanol, after the first ignition you might have to do it again to warm up the burner.
- Fuel will burn low at first, please allow a minimum of 15 minutes to reach optimum burn and flame height.
- Because it contains alcohol, spilling could damage hardwood floors, carpets and fireplace paint.
- Always keep a distance of 8 inches (20 cm) between your hands and the burner

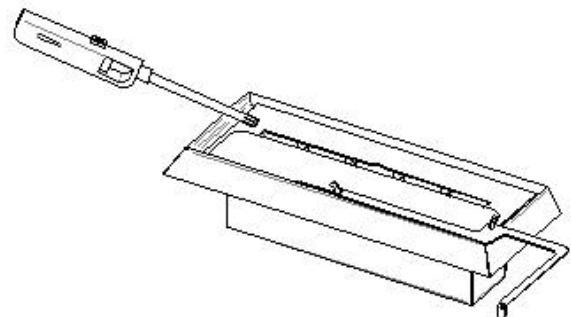
NEVER TRY TO LIGHT UP THE APPLIANCE WHILE HOT

Ignition steps



1

Position the lid in open position using the opening and closing stick.



2

Light-up the burner

EXTINGUISH

- Never use water to extinguish the fire.
- If possible, let the fuel burn out completely as this will prevent the alcohol left in the burner to create a deflagration when re-igniting.
- To extinguish the fire before the fuel has burned out, simply pull on the handle of the closing lid to fully cover the flame and wait 45 minutes or until the burner is cool before emptying the remaining fuel.
- In the event that the flame has not completely burned out, please repeat above instructions and wait 15 second before repeating process.

NOTE :

It is very important to inspect and clean the burner. A dirty burner or in bad condition can be the cause of fire and important damages.

WARNING!

KEEP CHILDREN AWAY WHILE IN OPERATION

MAINTENANCE

- The burner must be cleaned on a regular basis; some contaminants may remain in the burner after use, which can cause unpleasant odors. Use warm water and dish soap liquid.
- We recommend a regular maintenance to prevent contamination.
- Do not use chemicals, harsh cleaning products or steel wool.

The manufacturer cannot be held responsible for any damages resulting out of miss-use or cleaning products.

ETHANOL FIREPLACES INSTALLATION GUIDE

Volcan B12 – TRIDENT

(Check the distance from center to center mounting holes before installation)



1

Tool required: measuring tape, level, pencil, eraser, Square #2 tip screwdriver, 6 screws of 1 1/2 inch and 4 anchors



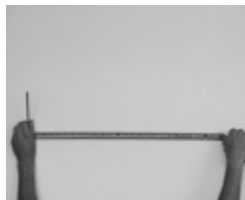
2

Mark the starting point (see figure A) using the pencil and measuring tape.



3

Draw a 28 inches long Horizontal line with the level from your starting point



4

Mark a dot at 24 3/4 inches from start point on each side of your starting point on your horizontal line



5

From each dot on your horizontal line, draw a 12 inches long vertical line



6

On each vertical line, mark a spot first at 3 inches and then 10 inches from horizontal Line.(see figure A right side)



7

Insert the 4 anchors on the 4 marked dots.



8

Secure the 4 screws and leave 5/16 inches between the screw head and the anchors



9

Install the fireplace and screw the 2 retaining screw at there designated place (see page 6)

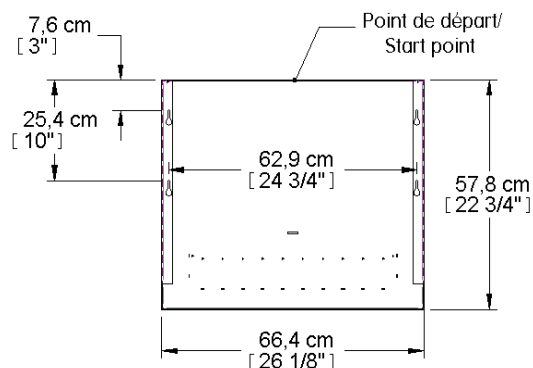
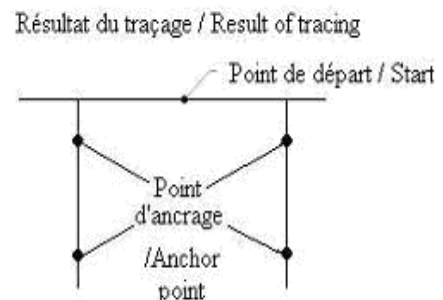


FIGURE A



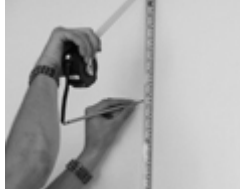
Volcan B12 – VESUVE

(Check the distance from center to center mounting holes before installation)



1

Tool required: measuring tape, level, pencil, eraser, Square tip #2 screwdriver, 5 screws of 1½ inches and 3 anchors.



2

Mark the starting point (See figure B) in the corner using the pencil and measuring tape.



3

Mark a dot at ½" inch below your starting point.



4

From that dot, draw a 21 1/16 inches long horizontal line on each wall and mark a dot.



5

Starting again from that marked dot mark another one at 2 ½ inches from the corner on the wall at your right.



6

Insert the anchors on each of the 3 marked dots.



7

Secure the 3 screws and leave 5/16 inches between the screw head and the anchors.



8

Install the fireplaces and screw the 2 retaining screws at their designated place (see page 6)

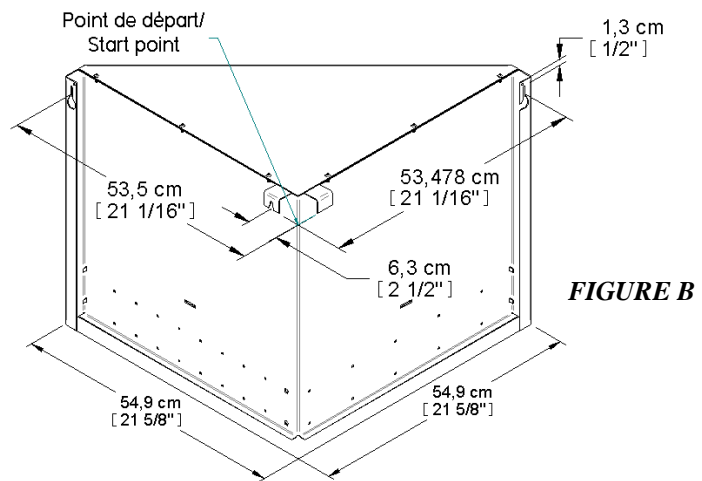
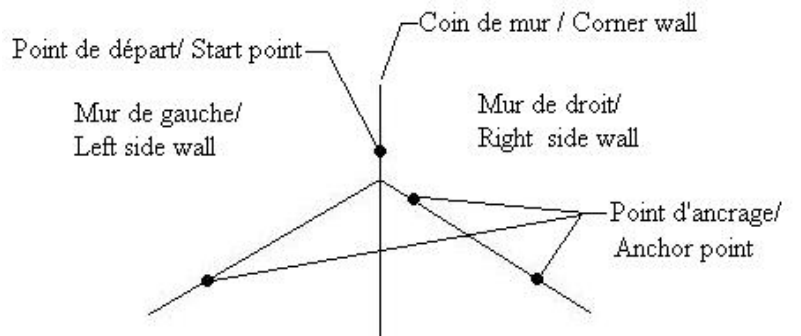


FIGURE B

Résultat de traçage/ Result of tracing



Volcan B12 - LAGUNA

(Check the distance from center to center mounting holes before installation)



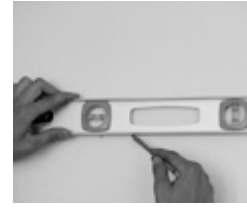
1

Tool required: measuring tape, level, pencil, eraser, Square tip #2 screwdriver, 6 screws of 1½ inches and 4 anchors.



2

Mark the starting point (see figure C) using the pencil and measuring tape.



3

Draw a 36 inches horizontal line using the level.



4

From the starting point mark a dot at 16 ¾ inches on each side of your horizontal line.



5

Starting from each dot, you draw a vertical line of about 12 inches.



6

On each vertical line, again from each dot, mark one dot at 2 3/8" and another one at 9 3/8" inches for a total of 4 dots.



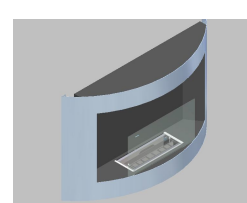
7

Insert the anchors on those 4 dots.



8

Secure the 4 screws and leave 5/16 inches between the screw head and the anchors



9

Install the fireplace and screw the 2 retaining screws at there designated places (see page 6).

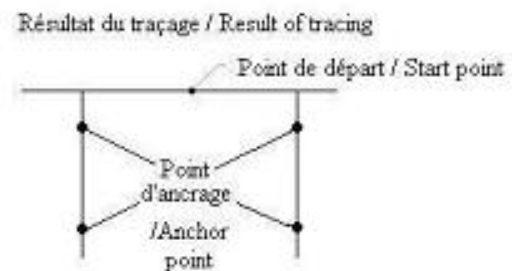
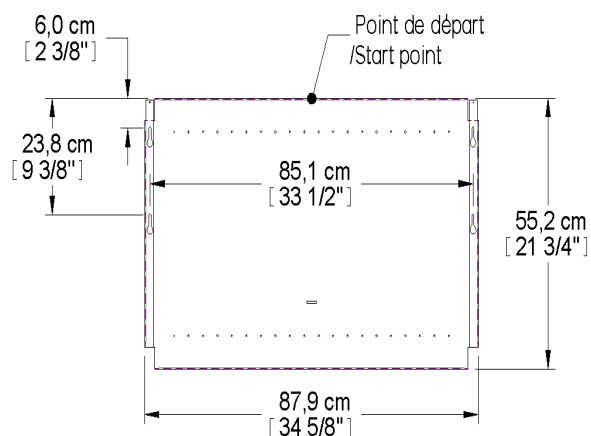
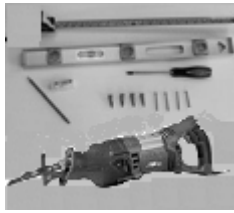


FIGURE C

Volcan B12 - KILAUEA



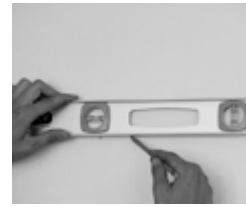
1

Tools required: Reciprocating saw, measuring tape, level, pencil, eraser, Square tip #2 screwdriver, 4 screws of 1 ½ inches and 4 anchors



2

Mark the starting point (see figure D) using the pencil and measuring tape.



3

Draw a 26 inches horizontal line using the level.



4

From the starting point mark a dot at 14.3 inches on each side on your horizontal line.



5

Starting from each dot, you draw up a vertical line of about 26 inches.



6

Starting again from each dot on the horizontal line mark a dot at 23 5/8 inches on each vertical line.



7

Draw a horizontal line using the level closing up your square



8

Make a hole on the wall following the lines you have drawn.



9

Insert the fireplace.



10

Secure the fireplace with the screws in the holes located at the bottom of fireplace.



11

Install the surround decorative moulding (Not included)

IMPORTANT: Starting point is located At the bottom of the fireplace

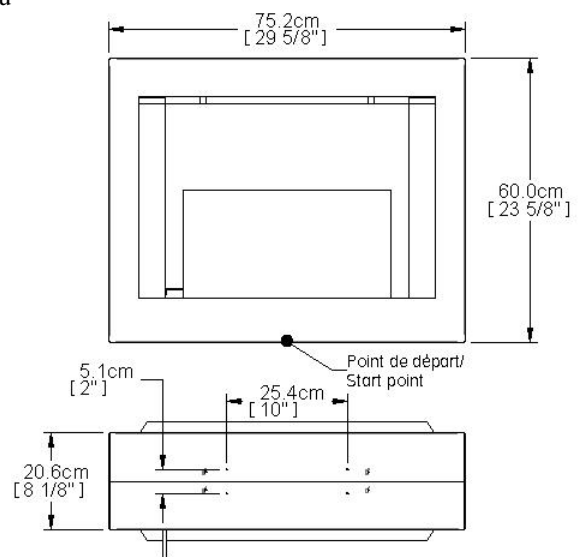
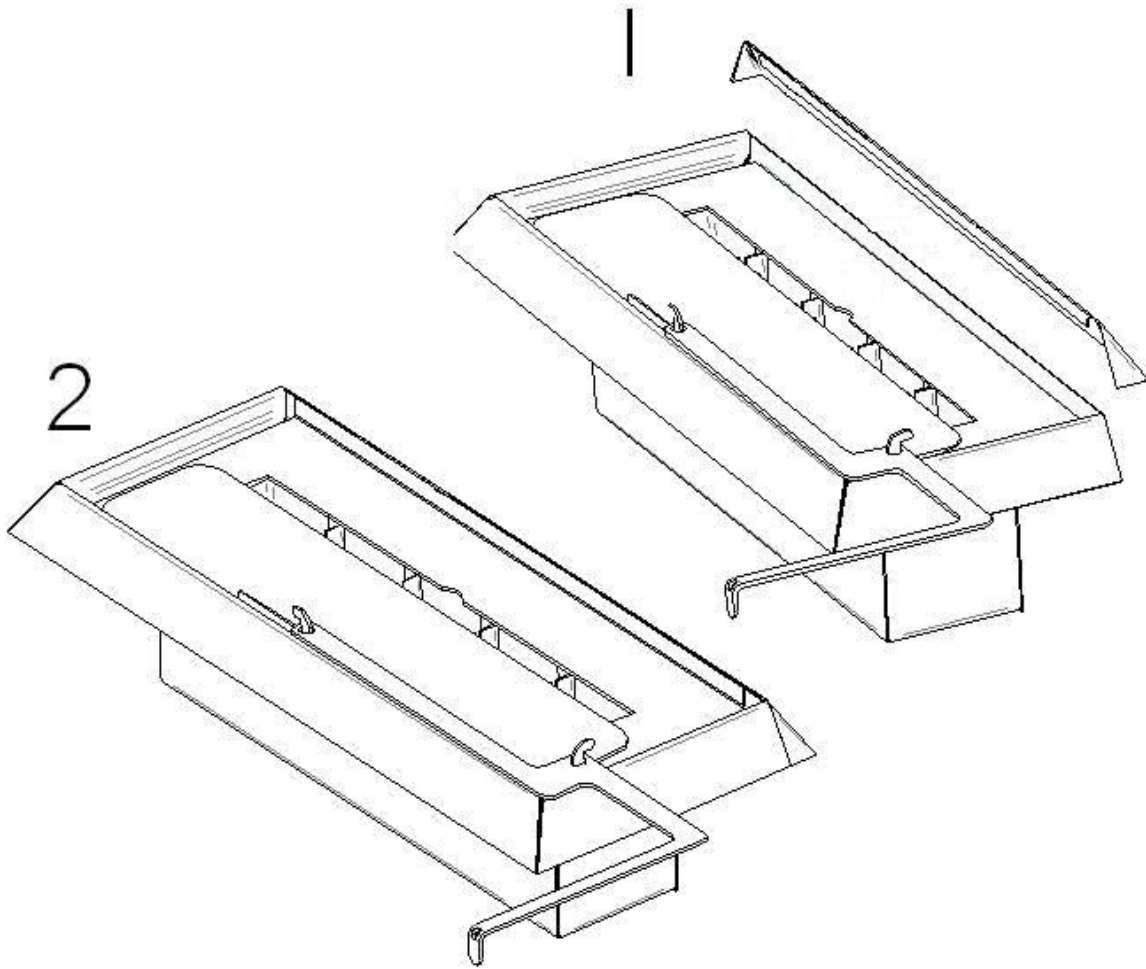


Figure D

When in doubt, have it installed by a specialist

PART TO ADD WITH KILAUEA FIREPLACE



Add the part on the holding tank.

Hook the part on the edge of the backflow retention tray.

Volcan B12- TAAL

WARNING

Note: Taal fireplace can only be installed in the hearth of an operational and existing gas or wood burning fireplace.



1

Tool required: Drill, measuring tape, level, pencil, eraser, Square tip #2 screwdriver, 6 screws of 1½ inches and 4 anchors.



2

Measure the bottom of the hearth. With a pencil, draw a point in the middle of the hearth. (See figure F)



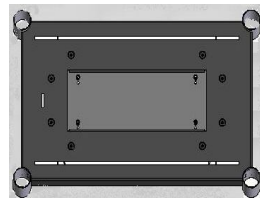
3

From the starting point, draw a 5 inch horizontal line on both sides of the point.



4

Draw a 3 ¼ inches vertical line at both end of the last line. Be sure to align the center of the line with the end point of the last line and mark a dot at both end of each line.



5

If you have a metallic hearth, fix the fireplace with the self-drilling screws in their designated places aligning with the four dots you made before.

If you have a stone hearth, fix the fireplace with the concrete screws in their designated places aligning with the four dots you made before.

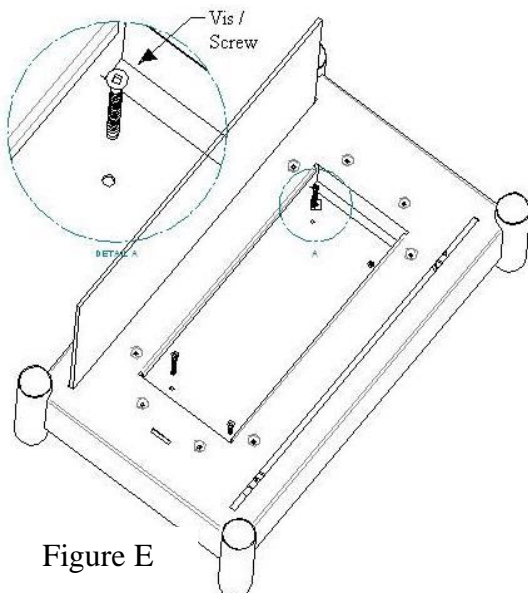
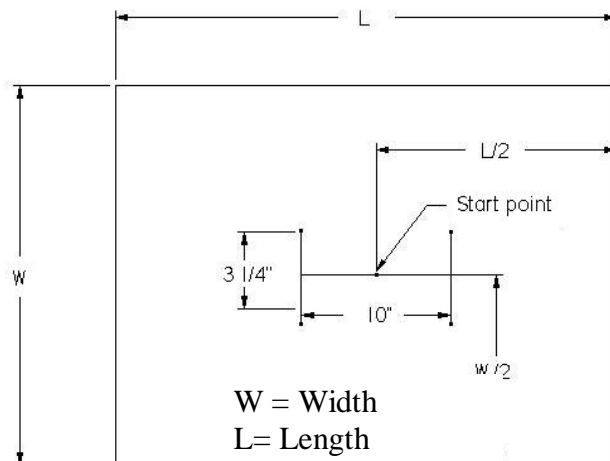


Figure E



Fireplace
hearth

Figure F

Volcan B12- FOGO

(Check the distance from center to center mounting holes before installation)



1

Tools required: Reciprocating saw, measuring tape, level, pencil, eraser, Square tip #2 screwdriver, 6 screws of 1 1/2 inches and 4 anchors



2

Mark the starting point (See figure G) using the pencil and measuring tape.



3

Next step are to make a hole in the wall for the fireplace. Draw a 36" inches horizontal line centered on the starting point using the level. Draw a point on each side of the start point at 14 3/4" inches onto the line you have just made (see point A and B on figure G).



4

Draw two vertical line of 21 1/2" inches using your level starting from the point you have made at step 3. Make a point on the ends of these lines (point C and D). Connect the point C and D with a line to form a rectangle. (See figure G)



5

Make a hole on the wall following the line you have drawn (Not trough it, only the side were the fireplace will be).



6

Starting from both the ends of the 36" inches line drawn on step 3, draw a vertical line using your level and mark a point at 12 3/8 and 19 3/8 inches on this line. These points mark the position of the anchors (See figure G)



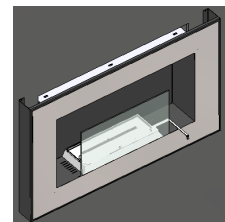
7

Insert the anchors on these dots.



8

Secure the 4 screws and leave 5/16 inches between the screw head and the anchors



9

Install the fireplace and screw the 2 retaining screws at there designated places (see page 6).

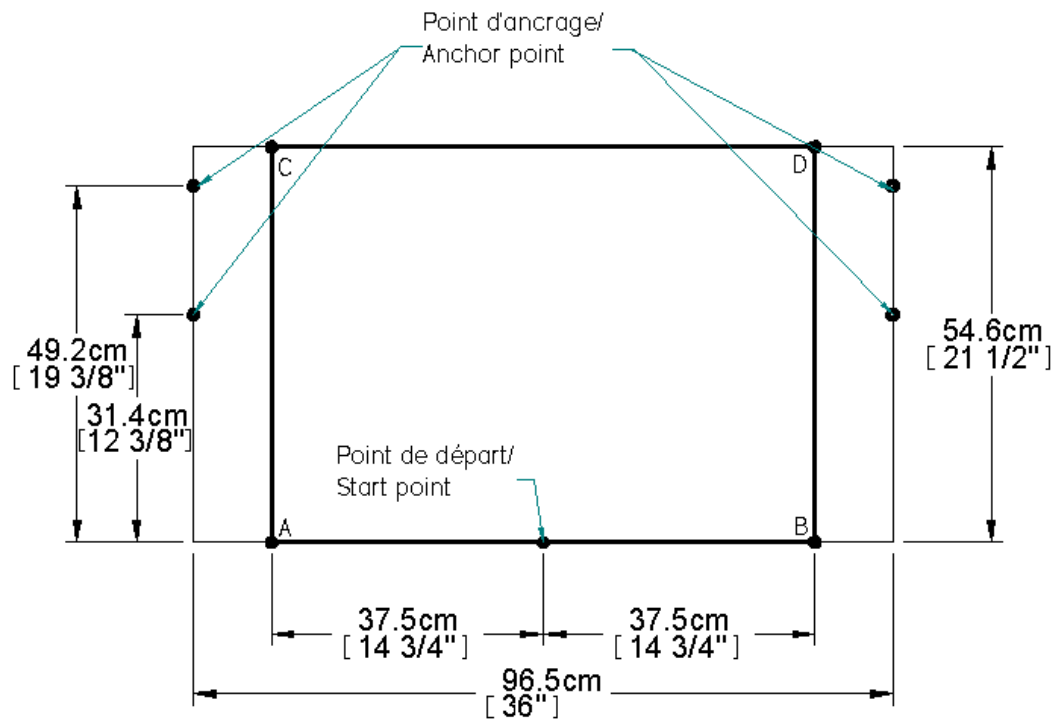
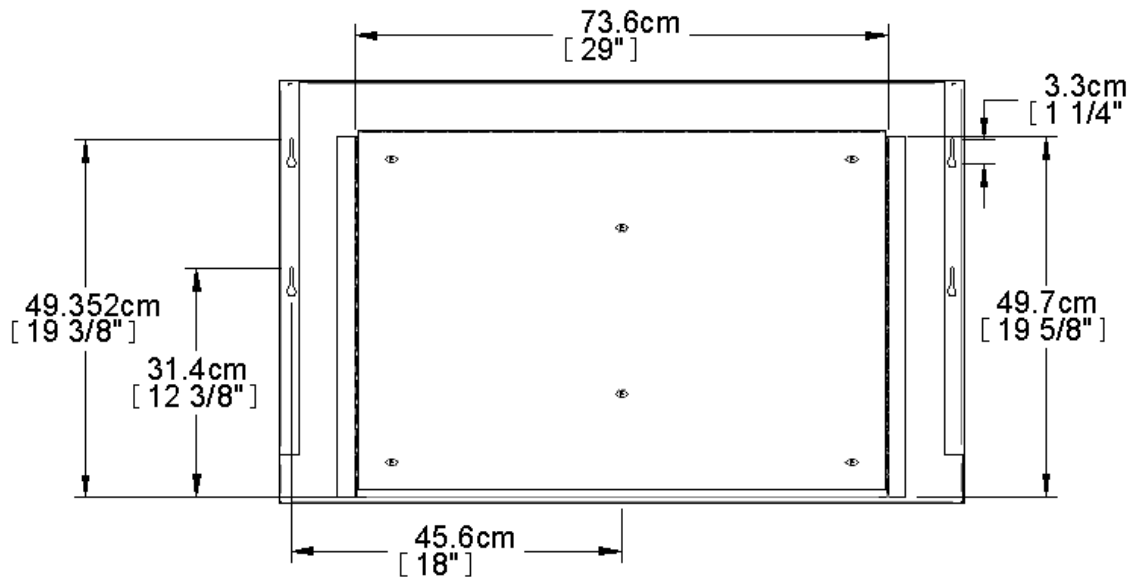


FIGURE G



Warmth from the heart of J.A.ROBY INC.

WARRANTY

J.A. ROBY guarantees the ethanol fireplaces for one year only. The Warranty of the manufacturer extends only to the original purchaser and is not transferable. The present warranty covers brand new products only, which have not been altered, modified nor repaired from moment of shipping from our factory. Dated proof of purchase (copy of invoice) model name and serial number must be supplied when making a claim to a J. A. ROBY dealer.

This warranty applies to a normal use only. Damages caused by the following: Over firing, improper installation, no maintenance, negligence or discoloration from over firing, abrasive or chemical cleaners, and accident during transportation. Any defect or damage caused by the use of parts other than the J. A. ROBY parts voids this warranty. Any service call related to improper installation is not covered by this warranty. Always use J. A. ROBY ethanol with your appliance or your warranty will be canceled.

Returned products are to be shipped prepaid to the manufacturer with an authorization, if a product is found to be defective, the manufacturer will replace or repair and ship back prepaid.

WARRANTY CARD

Model name _____ Serial number _____

Dealer _____

Date of purchase _____ Installation date _____

Purchase name _____

Address: _____

Installed by: _____ Date _____

Purchaser signature _____

J. A. ROBY takes his opportunity to thank you for buying our trouble free fireplace and wish you many hours of enjoyment and pleasure.