

# GAS FIREPLACE CATALOGUE



**J. A. ROBY**



\* Pictures are for information only.



## ABOUT US

**J. A. ROBY** Has been working in the heating sector for more than 43 years and offers stoves, fireplaces, furnaces and wood-burning stoves.

In order to develop our product line with gas appliances, we undertook a trend analysis and market needs assessment to conclude that the most popular gas fireplace model in North America simply did not exist.

So we created it!

### **GAS FIREPLACE J. A. ROBY ONE FIREPLACE - SEVEN CONFIGURATIONS**

All **J.A. ROBY** gas fireplaces are equipped with four glass sides, the number of thermal insulation panels and the required protective grilles depending on the model ordered. To change the configuration, simply remove the thermal insulation panel(s) and replace it with a protective grid(s) or perform the reverse operation. This can be done in just 15 minutes. A peninsula, a panoramic, a corner and even why not, a central!

The choice is yours!

Alain Robitaille, President.



Follow us on Facebook

|   |    |
|---|----|
| ABOUT US                                | 2  |
| CONTENT                                 | 3  |
| GAS FIREPLACE                           |    |
| LOO .....                               | 4  |
| AUSTER & MOUSSON .....                  | 5  |
| MISTRAL .....                           | 6  |
| PAMPERO .....                           | 7  |
| SIROCCO .....                           | 8  |
| SUROIT .....                            | 9  |
| MISCELLANEOUS                           |    |
| ACCESSORIES / DECORATIVE ELEMENTS ..... | 10 |
| CHARACTERISTICS .....                   | 11 |



## TRADITIONAL ATMOSPHERE

In its most traditional version, the **LOO** retains one of the oldest styles on the market and remains a must. The innovative design of the gas burner offers flames of impeccable quality. It has a power up to 32,000 BTU/h and is available in propane or natural gas.



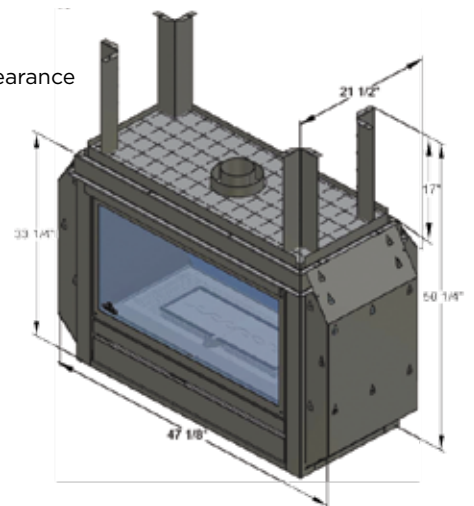
\* Pictures are for information only.

### FEATURES & BENEFITS

- Up to 32,000 BTU
- Full vision fireplace
- Black glass ember included
- Electronic igniter with system battery-powered troubleshooting and adjustable control of heat and flame height
- Decorative glass panel with black mirror
- Evacuation on top
- Protection grids included
- Original burner design for an incomparable flame
- PROFLAMME 2 remote control included
- Available in propane or natural gas
- Cartridge "smarcase®" exclusive to **J. A. ROBY**
- Approved for all rooms in the house
- Works with or without electricity
- Supported by **J. A. ROBY** Limited Lifetime Warranty
- Tested by Intertek and compliant with standards:  
**ANSI Z21.88/CSA 2.33: 2017 Ed.8** for direct vent gas fireplace

### OPTIONS

- Clear glass ember
- Logs with the most realistic appearance
- Blower unit



| MODEL                          | LOO                    |         |                |                     |                    |                   |             |                   |
|--------------------------------|------------------------|---------|----------------|---------------------|--------------------|-------------------|-------------|-------------------|
| Unit of measurement            | NG                     | LPG     | Min. BTU       | Type of glass       | DIMENSIONS         | REAL              |             | FRAMING           |
|                                |                        |         |                |                     |                    | Standard          | *Clean face |                   |
| BTU / hr                       | 25 000                 |         | 12 500         | tempered or ceramic | Height             | 29 3/8"           | 25 1/4"     | 50 1/4"           |
|                                |                        | 27 000  | 17 280         | tempered or ceramic | Width              | 34"               | 34"         | 39"               |
|                                |                        | 32 000  | 20 480         | Ceramic             | Depth              |                   |             | 21 1/2"           |
| EVACUATION                     | RIGID LINER            |         | FLEXIBLE LINER |                     | DIMENSIONS         | REAL              |             | FRAMING           |
| ON TOP                         | 4" x 6 5/8"            |         | ** 4" x 7"     |                     | Large glass        | 17 1/4" x 31 1/2" |             | 19 3/4" x 33 1/8" |
| GLASS SURFACE                  | 543 (po <sup>2</sup> ) |         |                |                     | Small glass        | 9 3/4" x 17 1/4"  |             | 11 3/4" x 19 3/4" |
| STEADY STATE EFFICIENCY - HIGH | 68,5 %                 | 70,03 % |                |                     | ELECTRONIC IGNITER |                   |             | YES               |

\* In option

\*\* Up to a maximum of 8 feet

# MOUSSON

## INDISPENSABLE COMFORT

The corner configuration of the **AUSTER** and **MOUSSON** makes these gas fireplaces an essential addition to our living spaces, whether in a bedroom, bathroom or living. With a power output up to 32,000 BTU/h, you can easily control the temperature or flame height with the included PROFLAMME 2 remote control.



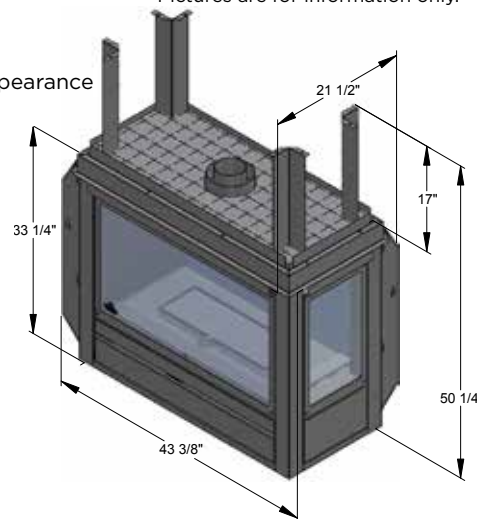
\* Pictures are for information only.

### FEATURES & BENEFITS

- Up to 32,000 BTU
- Full vision fireplace
- Black glass ember included
- Electronic igniter with system battery-powered troubleshooting and adjustable control of heat and flame height
- Decorative glass panel with black mirror
- Evacuation on top
- Protection grids included
- Original burner design for an incomparable flame
- PROFLAMME 2 remote control included
- Available in propane or natural gas
- Cartridge "smartcase®" exclusive to J. A. ROBY
- Approved for all rooms in the house
- Works with or without electricity
- Supported by J. A. ROBY Limited Lifetime Warranty
- Tested by Intertek and compliant with standards: **ANSI Z21.88/CSA 2.33: 2017 Ed.8** for direct vent gas fireplace

### OPTIONS

- Clear glass ember
- Logs with the most realistic appearance
- Blower unit



| MODEL                          | AUSTER & MOUSSON       |         |                |                     |                    |                   |                              |                   |
|--------------------------------|------------------------|---------|----------------|---------------------|--------------------|-------------------|------------------------------|-------------------|
|                                | Unit of measurement    |         |                | Min. BTU            | Type of glass      | DIMENSIONS        | REAL<br>Standard *Clean face | FRAMING           |
| BTU / hr                       | 25 000                 |         | 12 500         | tempered or ceramic | Height             | 29 3/8"           | 25 1/4"                      | 50 1/4"           |
|                                |                        | 27 000  | 17 280         | tempered or ceramic | Width              | 37 1/4"           | 37 1/4"                      | 39"               |
|                                |                        | 32 000  | 20 480         | Ceramic             | Depth              | 15 1/2"           | 15 1/2"                      | 17 1/2"           |
| EVACUATION                     | RIGID LINER            |         | FLEXIBLE LINER |                     | DIMENSIONS         | REAL              |                              | FRAMING           |
| ON TOP                         | 4" x 6 5/8"            |         | **4" x 7"      |                     | Large glass        | 17 1/4" x 31 1/2" |                              | 19 3/4" x 33 1/8" |
| GLASS SURFACE                  | 712 (po <sup>2</sup> ) |         |                |                     | small glass        | 9 3/4" x 17 1/4"  |                              | 11 3/4" x 19 3/4" |
| STEADY STATE EFFICIENCY - HIGH | 68,5 %                 | 70,03 % |                |                     | ELECTRONIC IGNITER |                   |                              | YES               |

\* In option

\*\* Up to a maximum of 8 feet

# MISTRAL

## ARDENT PENINSULA

Enjoy the unique atmosphere of the **MISTRAL**, a gas fireplace open on 3 sides and which, at the touch of a button on the remote control, gives you control of your fireplace. The **MISTRAL** is incomparable in communal living areas and blends in with any decor. Available in propane or natural gas.



ABOUT US

MISTRAL

ACCESSORIES

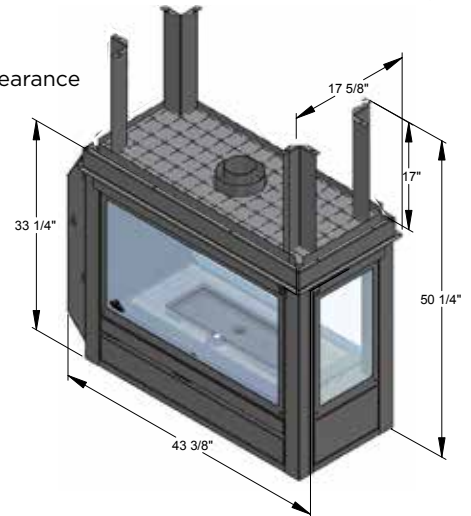
\* Pictures are for information only.

### FEATURES & BENEFITS

- Up to 32,000 BTU
- Full vision fireplace
- Black glass ember included
- Electronic igniter with system battery-powered troubleshooting and adjustable control of heat and flame height
- Decorative glass panel with black mirror
- Evacuation on top
- Protection grids included
- Original burner design for an incomparable flame
- PROFLAMME 2 remote control included
- Available in propane or natural gas
- Cartridge "smartcase®" exclusive to J. A. ROBY
- Approved for all rooms in the house
- Works with or without electricity
- Supported by J. A. ROBY Limited Lifetime Warranty
- Tested by Intertek and compliant with standards: **ANSI Z21.88/CSA 2.33: 2017 Ed.8** for direct vent gas fireplace

### OPTIONS

- Clear glass ember
- Logs with the most realistic appearance
- Blower unit



| MODEL                          |                          | MISTRAL |                |                     |                    |                   |             |                   |
|--------------------------------|--------------------------|---------|----------------|---------------------|--------------------|-------------------|-------------|-------------------|
| Unit of measurement            |                          |         | Min. BTU       | Type of glass       | DIMENSIONS         | REAL              |             | FRAMING           |
|                                |                          |         |                |                     |                    | Standard          | *Clean face |                   |
| BTU / hr                       | 25 000                   |         | 12 500         | tempered or ceramic | Height             | 29 3/8"           | 25 1/4"     | 50 1/4"           |
|                                |                          | 27 000  | 17 280         | tempered or ceramic | Width              | 37 1/4"           | 37 1/4"     | 39"               |
|                                |                          | 32 000  | 20 480         | Ceramic             | Depth              | 18 3/4"           | 18 3/4"     | 17 1/2"           |
| EVACUATION                     | RIGID LINER              |         | FLEXIBLE LINER |                     | DIMENSIONS         | REAL              |             | FRAMING           |
| ON TOP                         | 4" x 6 5/8"              |         | **4" x 7"      |                     | Large glass        | 31 1/2" x 17 1/4" |             | 19 3/4" x 33 1/8" |
| GLASS SURFACE                  | 1 255 (po <sup>2</sup> ) |         |                |                     | Small glass        | 9 3/4" x 17 1/4"  |             | 11 3/4" x 19 3/4" |
| STEADY STATE EFFICIENCY - HIGH | 68,5 %                   | 70,03 % |                |                     | ELECTRONIC IGNITER |                   |             | YES               |

\* In option

\*\* Up to a maximum of 8 feet

# PAMPERO

## IMPRESSIVE VIEW

The **PAMPERO** is undoubtedly the most wanted model among all the variety of direct-vented gas fireplaces. It offers an impressive view from all sides and blends brilliantly with a contemporary decor. Providing up to 32,000 BTU/h, the **PAMPERO** is available with a black ember-bed of glass to which logs can be added with the most realistic look.



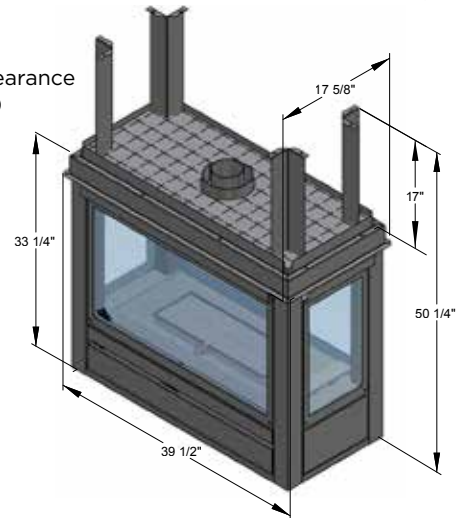
\* Pictures are for information only.

## FEATURES & BENEFITS

- Up to 32,000 BTU
- Full vision fireplace
- Black glass ember included
- Electronic igniter with system battery-powered troubleshooting and adjustable control of heat and flame height
- Evacuation on top
- Protection grids included
- Original burner design for an incomparable flame
- PROFLAMME 2 remote control included
- Available in propane or natural gas
- Cartridge "smartcase®" exclusive to J. A. ROBY
- Approved for all rooms in the house
- Works with or without electricity
- Supported by J. A. ROBY Limited Lifetime Warranty
- Tested by Intertek and compliant with standards: **ANSI Z21.88/CSA 2.33: 2017 Ed.8** for direct vent gas fireplace

## OPTIONS

- Clear glass ember
- Logs with the most realistic appearance
- Contemporary Chimney (**G-CC4**)
- Contemporary Hood (**G-HACN**)



| MODEL                          | PAMPERO             |         |                |                     |                    |                   |                              |                   |
|--------------------------------|---------------------|---------|----------------|---------------------|--------------------|-------------------|------------------------------|-------------------|
|                                | Unit of measurement | NG      | LPG            | Min. BTU            | Type of glass      | DIMENSIONS        | REAL<br>Standard *Clean face | FRAMING           |
| BTU / hr                       | 25 000              | 27 000  | 12 500         | tempered or ceramic | Height             | 29 3/8"           | 25 1/4"                      | 50 1/4"           |
|                                | 32 000              | 20 480  | 17 280         | tempered or ceramic | Width              | 40 5/8"           | 40 5/8"                      | 39 1/2"           |
|                                |                     |         | 20 480         | Ceramic             | Depth              | 18 3/4"           | 18 3/4"                      | 17 5/8"           |
| EVACUATION                     | RIGID LINER         |         | FLEXIBLE LINER |                     | DIMENSIONS         | REAL              |                              | FRAMING           |
| ON TOP                         | 4" x 6 5/8"         |         | **4" x 7"      |                     | Large glass        | 17 1/4" x 31 1/2" |                              | 33 1/8" x 19 3/4" |
| GLASS SURFACE                  | 1 423 (po²)         |         |                |                     | Small glass        | 9 3/4" x 17 1/4"  |                              | 11 3/4" x 19 3/4" |
| STEADY STATE EFFICIENCY - HIGH | 68,5 %              | 70,03 % |                |                     | ELECTRONIC IGNITER |                   | YES                          |                   |

\* In option

\*\* Up to a maximum of 8 feet

# SIROCCO

## URBAN FLAME

The panoramic style of **SIROCCO** brings all eyes back to it thanks to its glass surface which offers an incomparable view of the flame. Whether you choose ember glass, artificial logs or both, you will make your room the meeting point for your home.



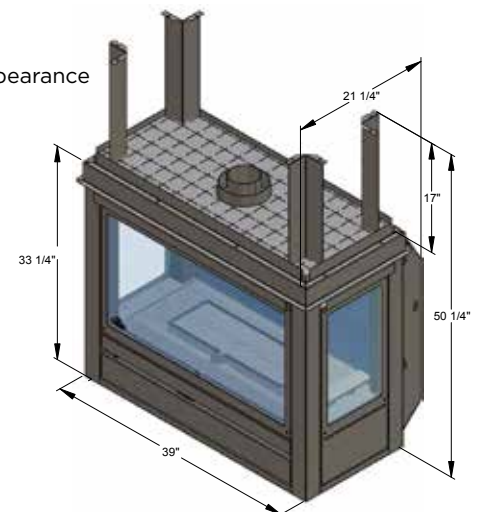
\* Pictures are for information only.

### FEATURES & BENEFITS

- Up to 32,000 BTU
- Full vision fireplace
- Black glass ember included
- Electronic igniter with system battery-powered troubleshooting and adjustable control of heat and flame height
- Decorative glass panel with black mirror
- Evacuation on top
- Protection grids included
- Original burner design for an incomparable flame
- PROFLAMME 2 remote control included
- Available in propane or natural gas
- Cartridge "smartcase"® exclusive to J. A. ROBY
- Approved for all rooms in the house
- Works with or without electricity
- Supported by J. A. ROBY Limited Lifetime Warranty
- Tested by Intertek and compliant with standards:  
**ANSI Z21.88/CSA 2.33: 2017 Ed.8** for direct vent gas fireplace

### OPTIONS

- Clear glass ember
- Logs with the most realistic appearance
- Blower unit



| MODÈLE                         |                        | SIROCCO |                |                     |                    |                   |             |                   |
|--------------------------------|------------------------|---------|----------------|---------------------|--------------------|-------------------|-------------|-------------------|
| Unit of measurement            | NG                     | LPG     | Min. BTU       | Type of glass       | DIMENSIONS         | REAL              |             | FRAMING           |
|                                |                        |         |                |                     |                    | Standard          | *Clean face |                   |
| BTU / hr                       | 25 000                 |         | 12 500         | tempered or ceramic | Height             | 29 3/8"           | 25 1/4"     | 50 1/4"           |
|                                |                        | 27 000  | 17 280         | tempered or ceramic | Width              | 34"               | 34"         | 39 1/2"           |
|                                |                        | 32 000  | 20 480         | Ceramic             | Depth              | 18 3/4"           | 18 3/4"     | 21 1/2"           |
| EVACUATION                     | RIGID LINER            |         | FLEXIBLE LINER |                     | DIMENSIONS         | REAL              |             | FRAMING           |
| ON TOP                         | 4" x 6 5/8"            |         | **4" x 7"      |                     | Large glass        | 17 1/4" x 31 1/2" |             | 19 3/4" x 33 1/8" |
| GLASS SURFACE                  | 714 (po <sup>2</sup> ) |         |                |                     | Small glass        | 9 3/4" x 17 1/4"  |             | 11 3/4" x 19 3/4" |
| STEADY STATE EFFICIENCY - HIGH | 68,5 %                 | 70,03 % |                |                     | ELECTRONIC IGNITER |                   |             | YES               |

\* In option

\*\* Up to a maximum of 8 feet



# SUROIT

## TWO FOR ONE!

The **SUROIT** will undeniably add value to your home. This two-sided fireplace is perfect for opening onto two rooms in your home, bringing a warm and cosy atmosphere. Choose the most realistic logs or a bed of clear or black glass embers to obtain the desired decor. PROFLAMME 2 remote control included.



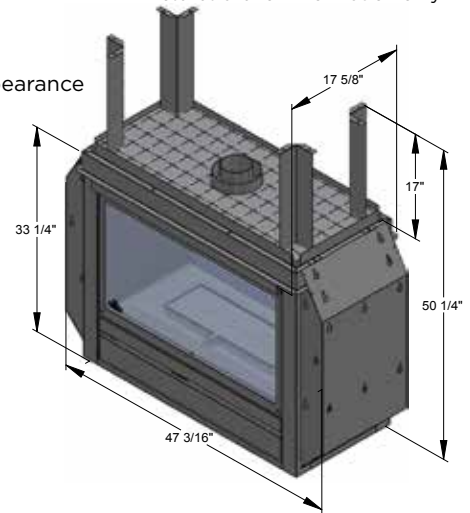
\* Pictures are for information only.

### FEATURES & BENEFITS

- Up to 32,000 BTU
- Full vision fireplace
- Black glass ember included
- Electronic igniter with system battery-powered troubleshooting and adjustable control of heat and flame height
- Evacuation on top
- Protection grids included
- Original burner design for an incomparable flame
- PROFLAMME 2 remote control included
- Available in propane or natural gas
- Cartridge "smartcase"® exclusive to **J. A. ROBY**
- Approved for all rooms in the house
- Works with or without electricity
- Supported by **J. A. ROBY** Limited Lifetime Warranty
- Tested by Intertek and compliant with standards: **ANSI Z21.88/CSA 2.33: 2017 Ed.8** for direct vent gas fireplace

### OPTIONS

- Clear glass ember
- Logs with the most realistic appearance
- Blower unit



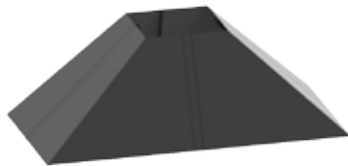
| MODEL                          |                          | SUROIT     |                |                     |                    |                   |            |                   |
|--------------------------------|--------------------------|------------|----------------|---------------------|--------------------|-------------------|------------|-------------------|
| Unit of measurement            |                          |            | Min. BTU       | Type of glass       | DIMENSIONS         | REAL              |            | FRAMING           |
|                                | Standard                 | Clean face |                |                     |                    | Standard          | Clean face |                   |
| BTU / hr                       | 25 000                   |            | 12 500         | tempered or ceramic | Height             | 29 3/8"           | 25 1/4"    | 50 1/4"           |
|                                |                          | 27 000     | 17 280         | tempered or ceramic | Width              | 34"               | 34"        | 47 3/16"          |
|                                |                          | 32 000     | 20 480         | Ceramic             | Depth              | 18 3/4"           | 18 3/4"    | 17 5/8"           |
| EVACUATION                     | RIGID LINER              |            | FLEXIBLE LINER |                     | DIMENSIONS         | REAL              |            | FRAMING           |
| ON TOP                         | 4" x 6 5/8"              |            | **4" x 7"      |                     | Large glass        | 17 1/4" x 31 1/2" |            | 19 3/4" x 33 1/8" |
| GLASS SURFACE                  | 1 087 (po <sup>2</sup> ) |            |                |                     | Small glass        | 9 3/4" x 17 1/4"  |            | 11 3/4" x 19 3/4" |
| STEADY STATE EFFICIENCY - HIGH | 68,5 %                   | 70,03 %    |                |                     | ELECTRONIC IGNITER |                   | YES        |                   |

\* In option

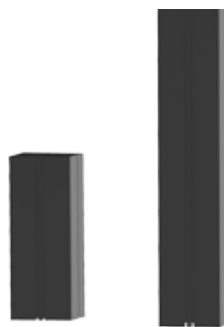
\*\* Up to a maximum of 8 feet

**ACCESSORIES**

The following accessories can be ordered:



**FIREPLACE HOOD**  
G-HACN



**CHIMNEY FOR GAS FIREPLACE HOOD**  
G-CC2 (2 FEET)  
G-CC4 (4 FEET)



**SET OF 2 FANS AND 1 THERMOMIMIC (GAS)**  
VENT



**SET OF 4 FANS AND 1 THERMOMIMIC (GAS)**  
4VENT

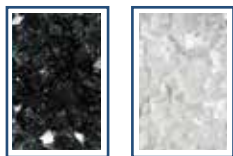


**MESH FOR PROTECTION GRID**  
GGPGP (SMALL)  
GGPGG (LARGE)

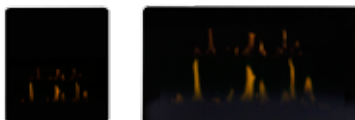
DECORATIVE ELEMENTS

**DECORATIVE ELEMENTS**

The following decorative elements can be ordered:



**EMBER OF GLASS**  
(FROM 6 TO 8MM)  
BVC2 (CLEAR 2 CUPS)  
BVC (CLEAR 8 CUPS)  
BVN2 (BLACK 2 CUPS)  
BVN (BLACK 8 CUPS)



**DECORATIVE GLASS**  
**BLACK MIRROR** (TEMPERED)  
VDMNTGP (SMALL)  
VDMNTGG (LARGE)



**IMITATION OF LOGS**  
IBG2 (SET OF 2)  
IBG4 (SET OF 4)

## CHARACTERISTICS

In order to provide the highest quality standards, features and options as well as dimensions and specifications are subject to change. Always refer to the installation manual for detailed instructions. Installations must comply with local codes.



### REMOTE CONTROL PROFLAMME 2 (Included with all our gas fireplaces)

The J. A. ROBY. gas fireplaces are designed to offer you comfort of the simple touch control of the PROFLAME 2 controller included with the unit. It controls:

- On/off burner
- Burner flame modulation (6 levels)
- Programmable thermostat
- Smart thermostat that adjusts the flame height according to the difference between the set temperature and the current room temperature. When the ambient temperature approaches the set point, the Smart function modulates the flame downward
- Intermittent pilot mode (IPI) and continuous pilot mode (CPI)
- Detection of low battery charge
- Locking the keys for child safety



### HIGH TECHNOLOGY

In order to simplify the maintenance of the appliances, J. A. ROBY. has developed a very simple and quick method by grouping all the equipment necessary for the proper functioning of the fireplace in a simple cartridge, the "smartcase®". This contains everything you need to start and control the fireplace.

To prevent the risk of burns, all gas models offered are equipped with protective grids whose fine mesh ensures an unobstructed view of the flame.

### RELIABILITY AND ROBUSTNESS

J. A. ROBY. gas fireplaces are built from top quality materials and each unit is factory tested. The frame is designed with square pipes of 2 1/2" x 2 1/2" and 1/8" thick to obtain a robust structure that can accept any type of cladding and support loads up to 10,000 lbs and more.

| MINIMUM CLEARANCES TO COMBUSTIBLE MATERIALS   |   |
|---|---|
| Glass door to the opposite wall - All models  | 42" (107 cm)  |
| From vent to wall - All models  | 3" (8 cm) for the first 8 feet of vent (unless protected by a firewall and 1" (25.4 mm) for the rest of the vent. |
| Top of the fireplace to ceiling - All models  | 21 1/4" (54 cm)   |
| Rear of the fireplace to adjacent materials Models: LOO, MISTRAL, SIROCCO, AUSTER AND MOUSSON | 0" (0 cm)   |



Made in Quebec by :  
J.A. ROBY, 490 rue de l'Argon  
Quebec, Qc, CANADA, G2N 2C9  
tel: 866-849-8095  
[www.jaroby.com](http://www.jaroby.com)

DISTRIBUTED BY:



Printed in Canada

In order to provide the highest standards of quality, features and options as well as dimensions and specifications are subject to change due to continuous improvements to our products. Refer to the instruction manual for complete installation instructions and clearance requirements to combustible materials. Facilities must comply with applicable local and national building codes, in addition to gas regulations.



0008\_2020\_V\_10.1