



*Warmth from the heart of J.A.ROBY INC.*

**OWNER'S MANUAL**

# **ATMOSPHERE**

## **WOOD STOVE**



Conforms to UL Std. 1482  
Certified to ULC Std. S627



June 1<sup>st</sup>, 2013 Reviewed

# **ATMOSPHERE**

---

490, rue de l'Argon  
Quebec, Qc CANADA G2N 2C9  
Phone: 418-849-8095 Fax : 418-849-0077  
[www.jaroby.com](http://www.jaroby.com)

# TABLE OF CONTENTS

WARNING.....	3
NOTICE .....	5
CREOSOTE.....	5
ATMOSPHERE-SPECIFICATIONS .....	6
INSTALLATION.....	7
VERTICAL INSTALLATION INSIDE A MASONRY CHIMNEY .....	8
EXTERIOR VERTICAL INSTALLATION .....	8
VERTICAL INSTALLATION ON A CATHEDRAL ROOF .....	9
CROSS INSTALLATION .....	10
VERTICAL INSTALLATION.....	10
CLEARANCES.....	11
SEATING.....	12
LIGHTING.....	12
FANS AND THERMODISC.....	13
PREVENTIVE MEASURES AND MAINTENANCE.....	14
INTERCHANGEABLE PARTS LIST .....	15
INSTALLATION OF THE FIREBRICKS.....	16
WARRANTY.....	17

READ CAREFULLY THIS MANUAL AND KEEP IT FOR FURTHER REFERENCES.

INSTALLATION OF THIS APPLIANCE MUST BE DONE BY A QUALIFIED AND CERTIFIED TECHNICIAN AND IN CONFORMITY WITH THE OWNER'S MANUAL GUIDE PROVIDED WITH THIS APPLIANCE. THE INSTALLATION MUST BE IN ACCORDANCE WITH LOCAL AND NATIONAL APPLICABLE REGULATIONS AND THE APPLICABLE BUILDING CODE.

**WARNING! NEVER MODIFY THIS APPLIANCE!**

## WARNING

Before installing, please take a few minutes to read this handbook. Keep it in a safe place and easily reachable for future references. If this appliance is not properly installed, it could cause fire damages to the property, injuries and death. To reduce fire hazards, follow instructions contained in this handbook.

Contact an official inspector (ex: a fireman) or your insurance company for installation permit. Always respect the provincial and municipal building codes of your region.

Do not connect this appliance to a chimney that already serves for another wood stove.

The existing chimney should be well inspected before any installation. In doubt, consult a specialist.

Never use a non-isolated exterior conduct or a single pipe as an exterior exit.

Minimum clearances found in this manual must be observed.

Install all firebricks before lighting the stove (if it is not already done).

**CAUTION : HOT WHILE IN OPERATION, DO NOT TOUCH. KEEP CHILDREN, CLOTHING AND FURNITURE AWAY FROM STOVE. CONTACT MAY CAUSE SKIN BURNS. SEE NAMEPLATE AND INSTRUCTIONS**

Never let the appliance without supervision when the door is open.

Always close the doors after the lighting period.

Operate only with doors closed

Do not use chemical products or other liquid to light the fire.

Do not burn waste or inflammable fluids like gas, naphtha or motor oil.

Do not overfire. If the heater or chimney connector glows, you are overfiring.

(See manual)

Always keep combustible material (clothes, furniture, wood, matches, plastics, etc...) at a minimal distance of 91,5 cm (3 feet) from the appliance.

**This appliance is certified to burn cordwood only. Do not use any other combustible.**

Never use a non-isolated exterior duct or a pipe to evacuate chimney smoke.

Do not install in a mobile house.

Do not use chemicals or fluids to light the fire. Never burn flammable waste or fluids such as gasoline, naphtha or engine oil

Wood should not be stocked within the recommended minimums clearances or in the necessary space for the loading and the ashes evacuation.

Do not burn wet or freshly cut wood. Do not use construction debris such as pieces of 2x4 or plywood.

If the appliance starts to blush, it's because it is too charged. Do not add fuel. Immediately close the doors and the air intake of the appliance until everything becomes normal again.

Do not charge the appliance beyond the firebricks height.

Ashes must be evacuated frequently, put in a steel container provided with a tight lid and be placed outside at once. You must never place other waste in this container.

When lighted it's very hot. Keep the children away. Can cause burns by contact.

Considering the need of air for the combustion, a window or a door must be half opened sometimes (fresh air drainage) to balance the pressure in the house, especially if:

- A fan already evacuates air towards outside (kitchen, bathroom.).
- You want to avoid a repression of smoke when lighting the appliance and when reloading the wood.

It is recommended to have a smoke detector near the appliance.

**You should contact your municipal or provincial fire department to have knowledge of the procedure to be followed in case of a chimney fire. Think of an emergency plan.**

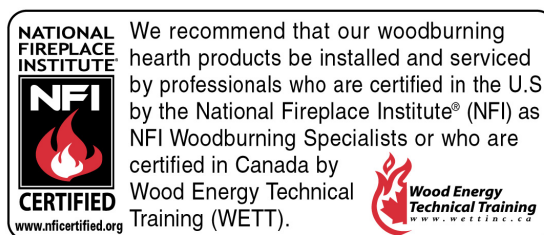
In case of a chimney fire:

- Hermetically close the doors and the air intakes.
- Water the combustible material adjacent to the chimney.
- Ring the alarm, evacuate the house if necessary and call the firemen.
- Never touch the pipes until the fire is not completely extinct.
- Do not use the chimney until it has been inspected or repaired.

Keep all the doors closed while the appliance is in function. Frequently verify the ceramics cords; they must always be in good condition.

The chimney pipe should not pass close to water, gas or oil pipes or close to electric wire or other types of conduits, of combustible materials in the roofs, the attics, the walls or the floors. If you have to make it pass through a wall or a part of combustible construction, do not forget that the installation must be in accordance with the CAN/CSA-B365. Use at least 12 feet of a 6 inches diameter vertical chimney.

**NOTE: FOLLOW THESE INSTRUCTIONS IN ORDER TO AVOID FIRE HAZARDS, WOUNDS AND PROPERTY DAMAGES.**



## NOTICE

The *Atmosphere EPA* was conceived to safely function the doors closed and only when burning firewood. Any change, modification or unauthorized installation will automatically cancel the certification of the appliance, its guarantee, its homologation and the appliance might become dangerous.

During the first hours of operation of your appliance, you must gradually heat it without exceeding 300°F (145°C), in order to let the paint cook slowly and to facilitate its adhesion with metal. It is normal that a light smoke is released from the paint during the first hours of use.

Even if this nuisance is temporary, open the windows and the doors in order to ensure good ventilation. This special paint is conceived to tolerate temperatures until 1200°F (650°C).

## CREOSOTE

The wood burning slowly produces tar and other organic steams, which forms a whole called “creosote”. The steam condenses in the cool chimney when the wood is burning slowly. In this way, creosote residues are formed on the walls. Creosote can take several forms: tarry liquid, soot dust or deposits in crystal form. When in fire, the creosote releases a very strong heat and can be the cause of a chimney fire.

- **Do not knock on the glasses or violently close the doors.**
- **Do not use the appliance when a glass is broken or damaged.**
- **Do not build the fire too close of the glasses.**
- **Keep the doors closed when using the appliance.**
- **Do not connect the *Atmosphere EPA* with a chimney or a flue serving another heating appliance**



## ATMOSPHERE-SPECIFICATIONS

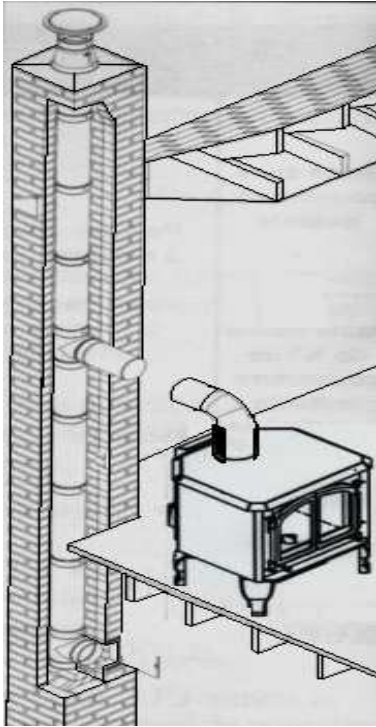
<b>OPTION</b>	<b>WITH OVEN</b>	<b>WITHOUT OVEN</b>
<b>Combustible</b>	WOOD	WOOD
<b>Recommended surface</b>	500ft <sup>2</sup> to 2000ft <sup>2</sup> (46.5m <sup>2</sup> to 185.8m <sup>2</sup> )	500ft <sup>2</sup> to 2000ft <sup>2</sup> (46.58m <sup>2</sup> to 185.8m <sup>2</sup> )
<b>Capacity</b>	59 000 BTU/h	59 000 BTU/h
<b>Evacuation pipe diameter</b>	6" (15.2cm)	6" (15.2cm)
<b>Chimney minimal height</b>	12ft (3,7m)	12ft (3.7m)
<b>Exterior height</b>	42" (106.7cm)	32,6" (73.7cm)
<b>Exterior width</b>	26 ½" (67.3cm)	26 ½" (67.3cm)
<b>Exterior depth</b>	26" (66cm)	26" (66cm)
<b>Door opening</b>	16" X 10 ½" (40.6cm X 26.7cm)	16" X 10 ½" (40.6cm X 26.7cm)
<b>Interior height</b>	13" (33cm)	13" (33cm)
<b>Interior width</b>	19" (48.3cm)	19" (48.3cm)
<b>Interior depth</b>	18 ½" (47cm)	18 ½" (47cm)
<b>Maximum log length</b>	18" (45.7cm)	18" (45.7cm)
<b>Combustion duration</b>	3 to 5 hours	3 to 5 hours
<b>Weight</b>	400 lbs (181kg)	380lbs (172kg)
<b>CLEARANCES</b>		
<b>Back</b>	8" (20.3cm)	8" (20.3cm)
<b>Lateral</b>	12" (30.5cm)	12" (30.5cm)
<b>Ceiling</b>	84" (2,1m)	84" (2,1m)

## INSTALLATION

A good installation is extremely important for a safe and efficient use of your J.A. Roby Inc. appliance. If you doubt on the way to install the appliance correctly, seek for professional installation service. We suggest you to call masters fitters.

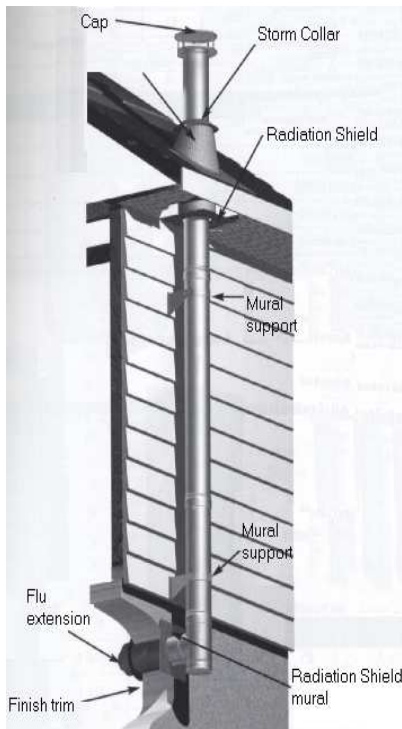
1. Withdraw firebricks placed inside the appliance in order to reduce the weight and to facilitate the installation.
2. You must install a fireproof plate under the appliance, which must exceed of 18 inches at the front and of 8 inches at each side.
3. The free space shall not be reduced except under the approval of the authorities responsible for the application of the building code.
4. Install the chimney and an insulated wall thimble for an installation passing through a wall according to the instructions from the chimney manufacturer.
5. Install the firebricks in accordance with the recommended instructions for your model.
6. The appliance should not be connected to an hot air conduct

### ***VERTICAL INSTALLATION INSIDE A MASONRY CHIMNEY***



The *Atmosphere EPA* must be installed in accordance with the applicable local laws or the CAN/CSA - B365 ULC S635, ULC S640 norms. For the chimney, follow the chimney manufacturer's instructions.

### ***EXTERIOR VERTICAL INSTALLATION***

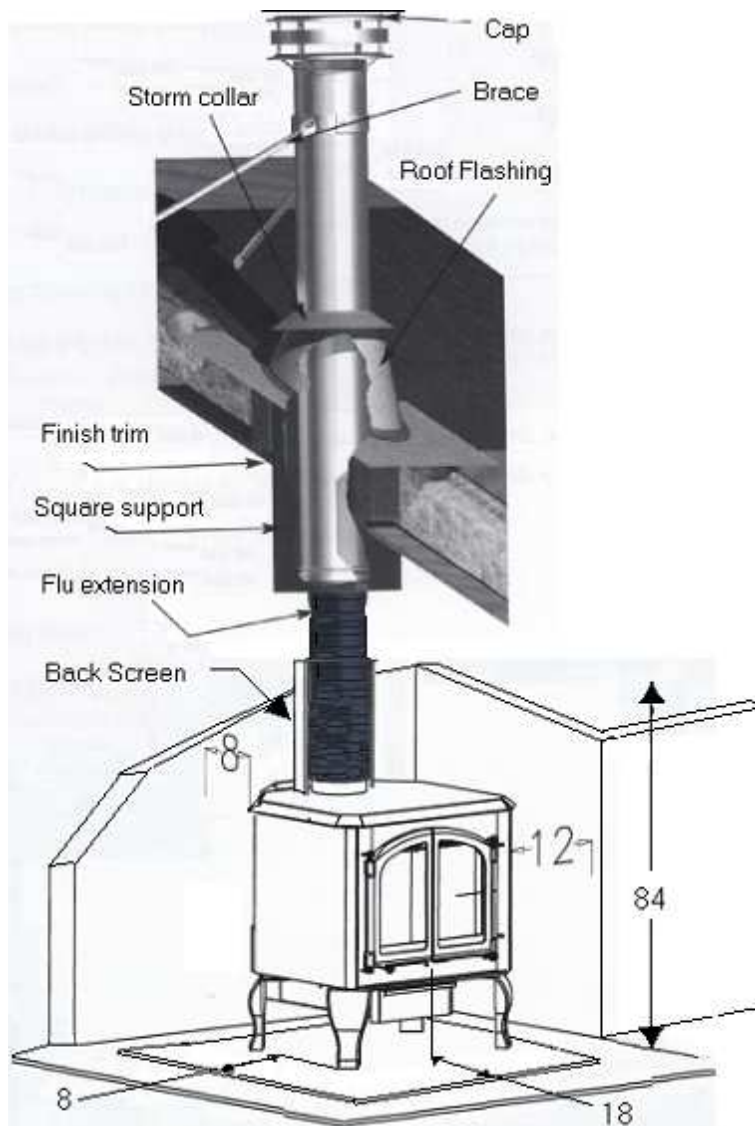


The *Atmosphere EPA* must be installed in accordance with the applicable local laws or the CAN/CSA - B365 ULC S635, ULC S640 norms. For the chimney, follow the chimney manufacturer's instructions.

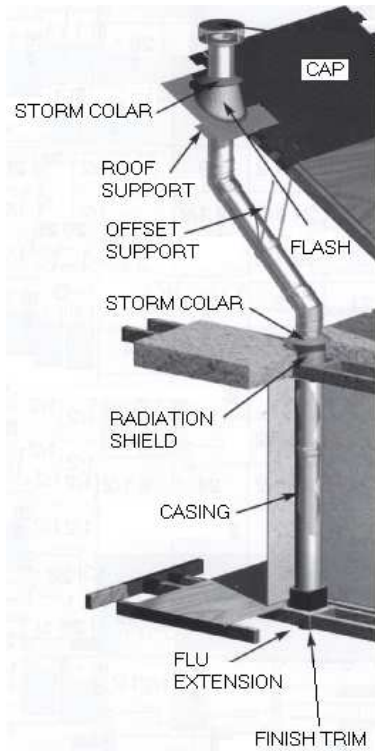


### ***VERTICAL INSTALLATION ON A CATHEDRAL ROOF***

The *Atmosphere EPA* must be installed in accordance with the applicable local laws or the CAN/CSA - B365 ULC S635, ULC S640 norms. For the chimney, follow the chimney manufacturer's instructions.

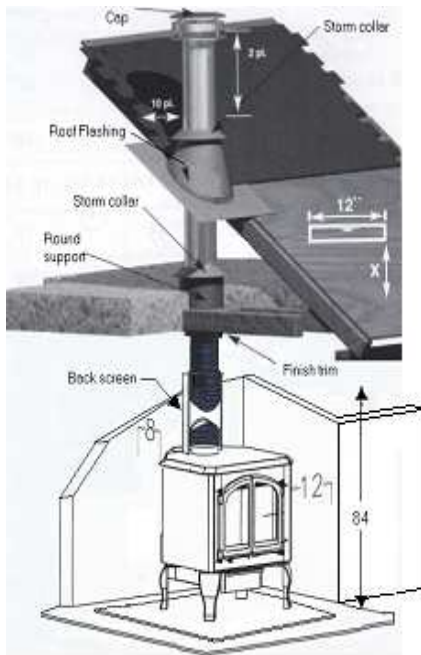


## CROSS INSTALLATION



The *Atmosphere EPA* must be installed in accordance with the applicable local laws or the CAN/CSA - B365 ULC S635, ULC S640 norms. For the chimney, follow the chimney manufacturer's instructions.

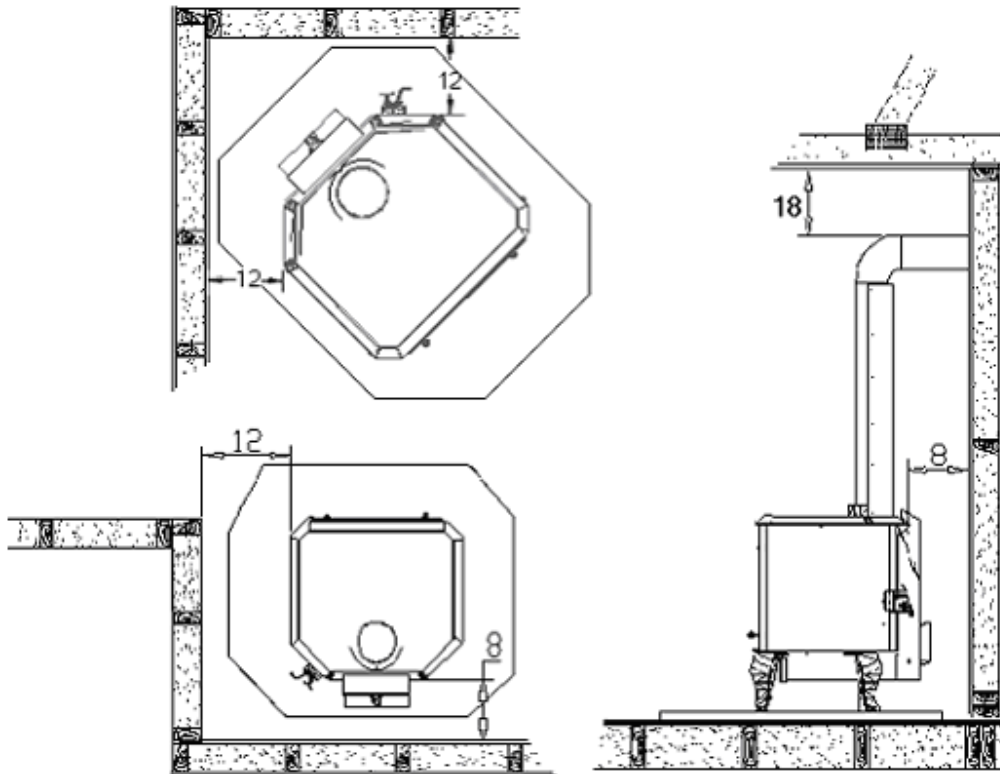
## VERTICAL INSTALLATION



The *Atmosphere EPA* must be installed in accordance with the applicable local laws or the CAN/CSA - B365 ULC S635, ULC S640 norms. For the chimney, follow the chimney manufacturer's instructions.

## CLEARANCES

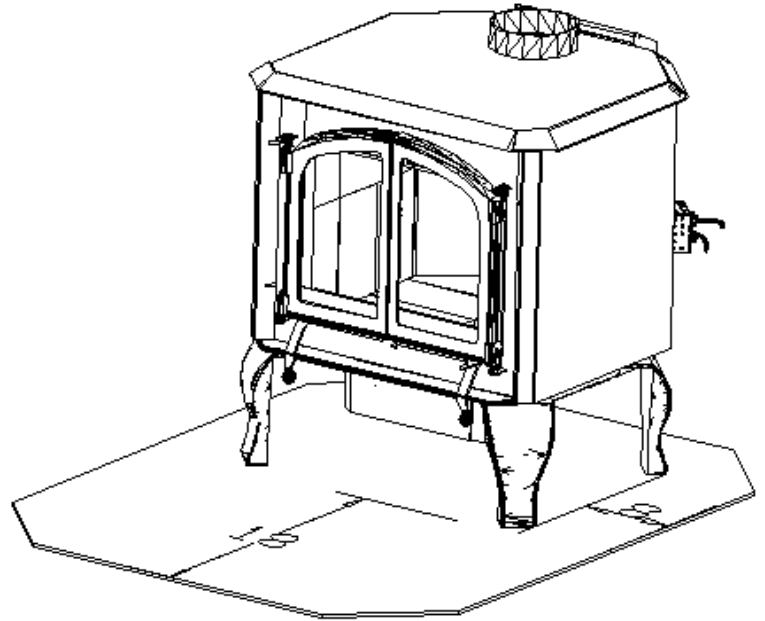
Due to its reduced clearances, this appliance occupies a minimum of space in the room where it is installed. No matter where you install it, the *Atmosphere EPA* will perfectly complete your decoration by its originality and its heat. It requires only 8 inches of clearance to the back and 12 inches of the sidewalls, with the addition of one heat shield, when the installation is made with a simple pipe. In the contrary, the clearances must be 18 inches at the front and the back. In the case of a simple pipe without an heat shield, the clearances are of 18 inches of the smoke pipe.



## SEATING

You must install a fireproof plate under the appliance, which must exceed it of 18 inches to the front, of 8 inches to the sides and of 8 inches at the back.

\*\*\* Use only non-combustible materials.  
Ex: (ceramics, marbles, granites)



## LIGHTING

Now that you have completed the installation of the appliance according to the recommendations, you are ready for the lighting!

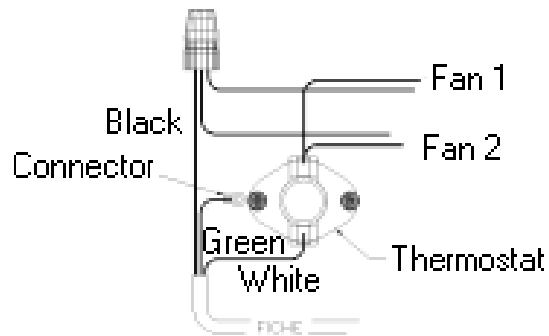
1. Place papers and small wood in the appliance.
2. Before lighting, be sure that the chimney is warm enough.
3. When the fire is well lit, gradually add bigger wood logs until an ember bed is formed.
4. You can then control combustion by closing or opening the air intakes (a rod pulled down indicates a closed air intake). The wood will burn more quickly if the air intakes are opened to the maximum and more slowly if they are only slightly open.

**Do not charge the appliance beyond the bricks.**

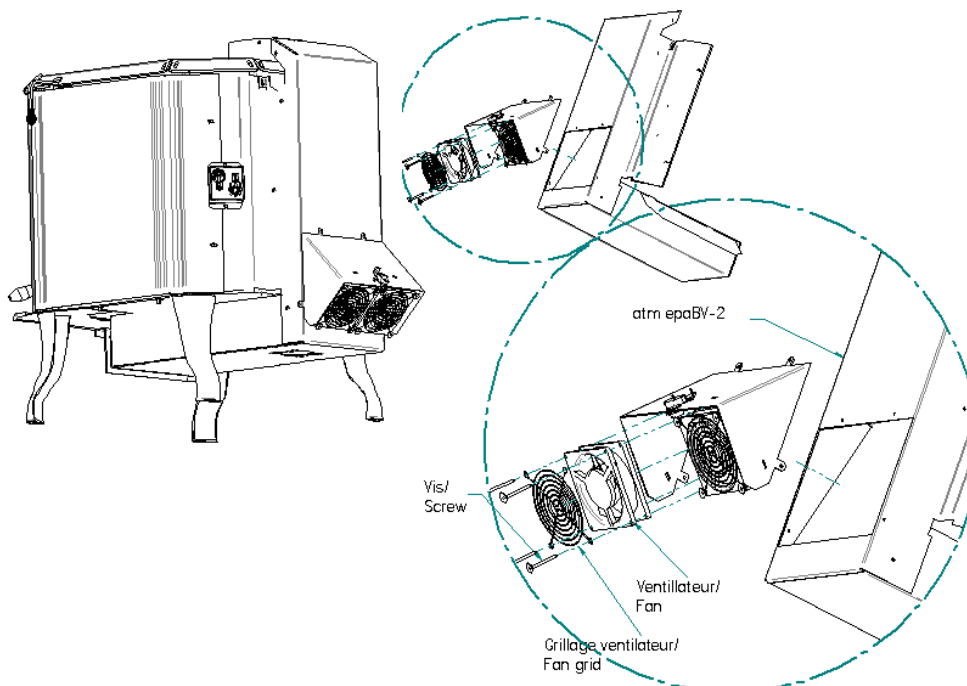
## FANS AND THERMODISC

The 115 volts fans must be screwed with the grids beneath the air corridor. The thermo disc box must be screwed on the back of the corridor. Connect the thermo disc into the electrical outlet. When the appliance is in function, the heat reaching a temperature of 120°F activates the thermo disc. At this moment, the thermo disc activates the fans for a better distribution of heat in your home. As soon as the heat goes under 120°F, the thermo disc automatically stops the fans.

Be sure that the electric cord of the fan doesn't touch any surface of the appliance in order to avoid an electric shock or a fire hazard.



**DO NOT PUT THE ELECTRIC CORD UNDER THE APPLIANCE.**



## PREVENTIVE MEASURES AND MAINTENANCE

1. We recommend to open the air intakes completely and to maintain an intense fire from 10 to 20 minutes per day.
2. Verify the accumulation of creosote every week that you use the appliance until you know at which frequency it must be cleaned (minimum once per year).
3. Remove every creosote deposit in order to prevent chimney fires.
4. Do not alter or modify the air intakes of the appliance in order to get a stronger fire.
5. To clean the glasses, J.A. Roby Inc. recommends using products sold for this purpose or an oven cleaner. Avoid cleaning with abrasives or when the glass is hot.
6. Before lighting the first fire, clean the gold plated surfaces using a very soft rag moistened with water. Do not use a paper towel to clean gildings. If they are not erased before the first fire, fingerprints and other marks could stain these surfaces permanently.
7. The *Atmosphere* is provided with an ashtray under the door. To empty the appliance, you just have to remove the cap made of steel (in the centre of the appliance) and to glide the ashes into the ashtray. Do not forget to replace the cap.

### IN CASE OF A GLASS REPLACEMENT:

Remove the screws that retain the glasses and then, the fragments of glasses. Check if the seal cords are damaged.

If so, replace them by a ½ inch ceramics cord and replace the broken glasses by VITROCERAMICS glasses of 5mm.

Cut the glass edge 3mm smaller on each side, so that the fibreglass cord can be slipped on the edge of the glass at the time of its installation. Fix the glass by screwing it.

**Contact your retailer to obtain any information you might need for the replacement of the glasses.**

**DO NOT USE SUBSTITUTES.**

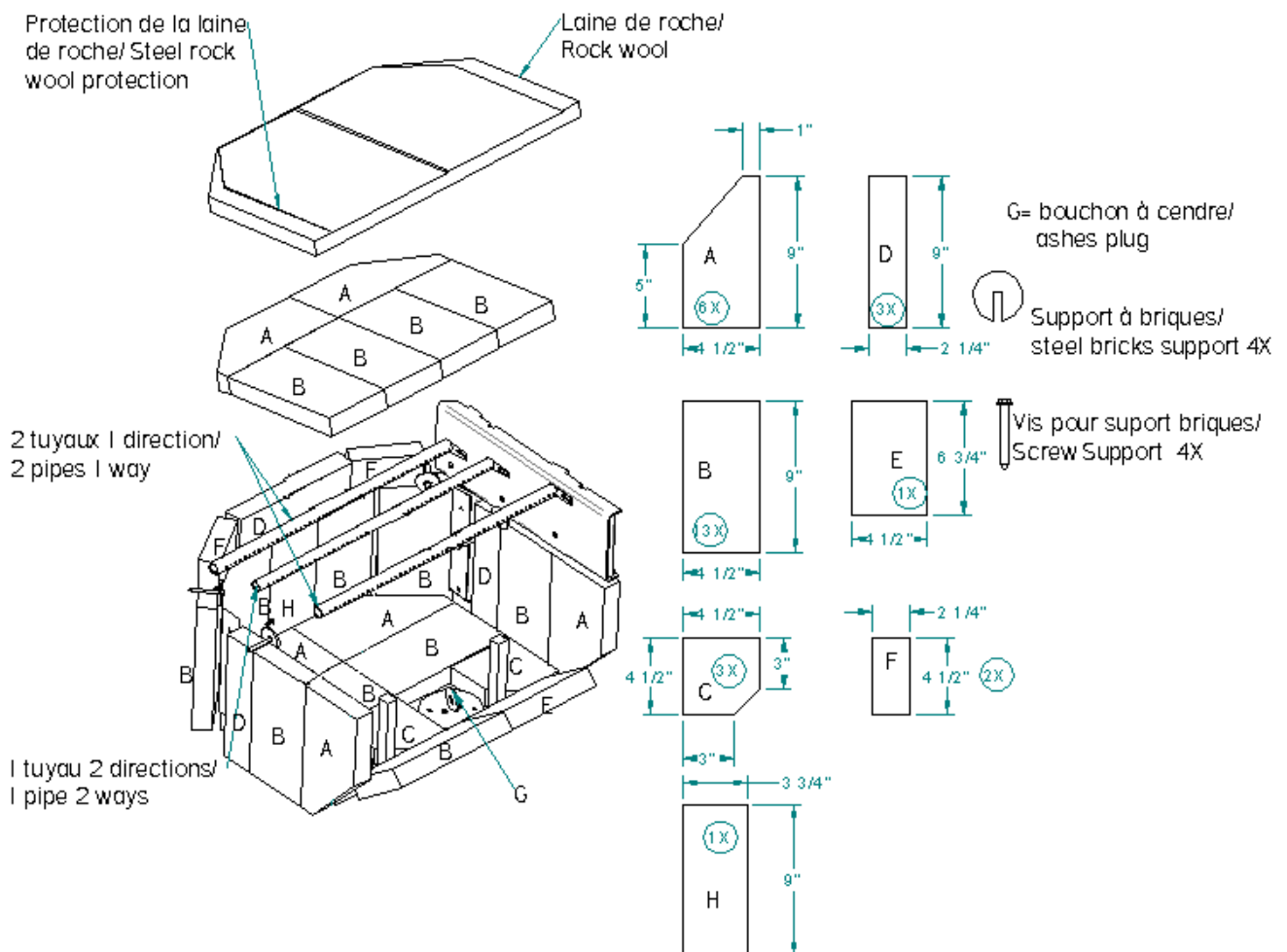
## **INTERCHANGEABLE PARTS LIST**

- BRICKS
- WOOL
- CAP
- PLATES USED TO RETAIN WOOL
- PIPES
- GLASSES
- DOOR'S HANDLE
- APPLIANCE'S DOOR
- FANS
- CORDS

**\* TO ORDER PARTS, PLEASE CONTACT YOUR AUTHORIZED RETAILER.**

## INSTALLATION OF THE FIREBRICKS

1. To begin with, we take for granted that the screws used to fix the bricks supports of the back wall and of the side walls are partially screwed.
2. Second, install the bricks on the side walls and the back wall: A(2), B(6), D(4), F(2) and tighten the screw to fix the bricks.
3. File the following bricks in the bottom of the stove : A(2), B(2), C(3), E(1)
4. Install the firebricks on the stainless pipe. A(2), B(4).







## WARRANTY

### STOVES & FIREPLACES

### J. A. ROBY LIMITED LIFE WARRANTY – WOOD BURNING STOVES & FIREPLACES

J. A. ROBY's warranty only applies to original buyer and is non-transferable. This warranty covers brand new products only, which have not been altered, modified nor repaired since shipment from factory. The products covered by this warranty must be manufactured after review date indicated at the bottom of page. Proof of purchase (dated bill of sale), model name and serial number must be supplied when making any warranty claim to your J. A. ROBY dealer. Registered your warranty is not required.

The appliance must be installed by an authorized service technician or contractor. Installation must be done in accordance with the installation instructions included with the product and all local and national building and fire codes. Any service call related to an improper installation is not covered by this warranty. This warranty applies to normal residential use only. This limited warranty does not cover damages caused by misuse, improper installation, lack of maintenance, accident during transportation, alterations, power failure, venting problems, downdrafts, abuse, over firing or neglect. Operating the appliance on high for extended periods of time is neglect. Any defect or damage caused by the use of unauthorized parts or others than original parts void this warranty.

This limited warranty does not cover any scratch, corrosion, warping or discoloration. The manufacturer may require that defective products be returned and/or that digital pictures be provided to support the claim. Returned products are to be shipped prepaid to the manufacturer for investigation. If a product is found to be defective, the manufacturer will repair or replace such defect. The transportation fees to ship back the product to the purchaser will be paid by the manufacturer<sup>2</sup>. The external labour fees related to warranty repair are not covered. The manufacturer may at its discretion, decide to repair or replace any part or unit after inspection and investigation of the defect. The manufacturer may at its discretion, fully discharge all obligations with respect to this warranty by refunding to the original warranted purchaser the wholesale price of any warranted but defective part (s). The manufacturer shall not in no event be liable for any special, indirect or consequential damages of any nature whatsoever which exceeds the original purchase price of the product. All parts replaced under this limited life warranty are subject to a single claim.

Any damage to the appliance, combustion chamber, heat exchanger, enameled cast iron cooking plate or other components due to water, weather damage, long periods of dampness, condensation, damaging chemical or cleaner will not be the responsibility of J. A. ROBY. Failure of any components which is attributed to poor maintenance, is not warrantable and will not be covered by this policy. J.A. ROBY neither assumes, nor authorizes any third party to assume, on its behalf, any other liabilities with respect to the sale of this product.

The manufacture of your new appliance and the following materials are warranted against defects as mentioned below:

WARRANTY DESCRIPTION	100%	50% current retail price
Ashtray, handles, doors and cast iron legs	Life	
Combustion chamber	5 years	From 5 years to life
Secondary air tubes	5 years	
Heat exchanger	2 years	From 2 years to life
Switches, thermdisc, wiring and electrical components, standard blowers and rheostat	2 years	
Tempered glass, optional blower and gasketing	1 year	
Ceramic glass (thermal breakage only <sup>1</sup> )	1 year	
Replacement parts (with proof of purchase)	90 days	

Due to on-going product improvements, all specifications and design are subject to change without prior notice.

**Before shipping your unit or defective component to our plant, you must obtain from J. A. ROBY dealer an authorization number. Any merchandise shipped to our plant without authorization will be refused automatically and returned to sender.**

1= Digital pictures required    2= Shipping cost are not covered outside CANADA

Review oct. 2014

MANUFACTURED BY J.A. ROBY INC

Models: ATMOSPHERE

MANUFACTURED BY J.A. ROBY INC

Models: ATMOSPHERE

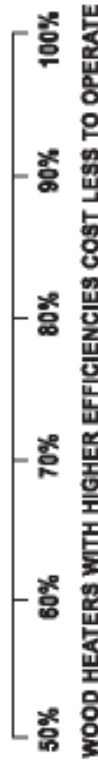
**US ENVIRONMENTAL PROTECTION AGENCY**

MEETS EPA PARTICULATE MATTER (SMOKE) CONTROL REQUIREMENTS FOR NONCATALYTIC WOOD HEATERS BUILT ON OR AFTER

**SMOKE**



**EFFICIENCY\***



(NOT TESTED FOR EFFICIENCY. THE VALUE INDICATED IS FOR SIMILAR NONCATALYTIC WOOD HEATERS.)

**HEAT OUTPUT**

**8,151 to 31,713 Btu/Hr**

USE THIS TO CHOOSE THE RIGHT SIZE APPLIANCE FOR YOUR NEEDS. ASK DEALER FOR HELP

THIS WOOD HEATER WILL ACHIEVE LOW SMOKE OUTPUT AND HIGH EFFICIENCY ONLY IF PROPERLY OPERATED AND MAINTAINED. SEE OWNER'S MANUAL.

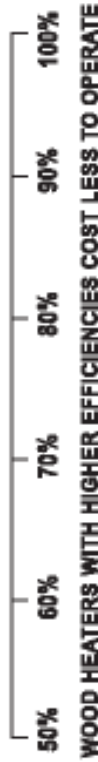
**US ENVIRONMENTAL PROTECTION AGENCY**

MEETS EPA PARTICULATE MATTER (SMOKE) CONTROL REQUIREMENTS FOR NONCATALYTIC WOOD HEATERS BUILT ON OR AFTER

**SMOKE**



**EFFICIENCY\***



(NOT TESTED FOR EFFICIENCY. THE VALUE INDICATED IS FOR SIMILAR NONCATALYTIC WOOD HEATERS.)

**HEAT OUTPUT**

**8,151 to 31,713 Btu/Hr**

USE THIS TO CHOOSE THE RIGHT SIZE APPLIANCE FOR YOUR NEEDS. ASK DEALER FOR HELP

THIS WOOD HEATER WILL ACHIEVE LOW SMOKE OUTPUT AND HIGH EFFICIENCY ONLY IF PROPERLY OPERATED AND MAINTAINED. SEE OWNER'S MANUAL.