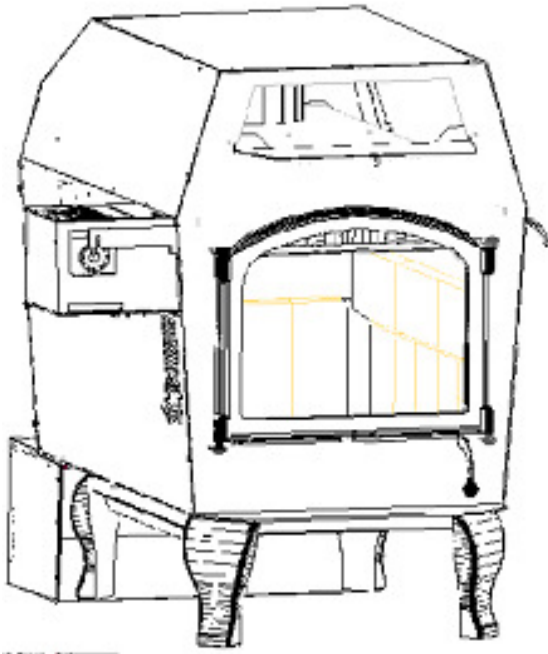




Warmth from the heart of J.A. Roby

OWNER'S MANUAL ATF727



Certified and tested according to
CAN/CSA B366-1-M91 norms

September 10, 2009 Reviewed

WOOD FURNACE

490, rue de l'Argon
Quebec (Québec) G2N 2C9
Phone: 418-849-8095 Fax.: 418-849-0077
www.jaroby.com

CONTENTS

ATMOSPHERE FURNACE 727 CHARACTERISTICS.....	4
WARNING	5
NOTICE.....	7
CREOSOTE	7
CHIMNEY	8
INSTALLATION	8
VERTICAL INSTALLATION INSIDE A MASONRY CHIMNEY.....	9
EXTERIOR VERTICAL INSTALLATION.....	9
VERTICAL INSTALLATION ON A CATHEDRAL ROOF	10
CROSS STYLE INSTALLATION	10
VERTICAL INSTALLATION	11
CLEARANCES	12
INSTALLATION OF THE FIREBRICKS	13
FANS AND THERMODISC.....	13
HOW TO PLUG FANS DIRECTLY TO THE THERMOSTAT	15
460 FAN AND PROTECTION BOX INSTALLATION	16
SEATING	18
LIGHTING	18
AIR CIRCULATION OF THE HEATING SYSTEM.....	19
IN CASE OF EXTENDED ELECTRIC FAILURE.....	20
AIR SUPPLY	20
PREVENTIVE MEASURES AND MAINTENANCE.....	21

INTERCHANGEABLE PARTS LIST..... 22

LIMITED LIFE WARRANTY..... 23

CAREFULLY READ THIS MANUAL AND KEEP IT FOR FURTHER REFERENCES

INSTALLATION OF THIS APPLIANCE MUST BE DONE BY A QUALIFY CERTIFIED TECHNICIAN AND IN CONFORMITY WITH THE OWNER'S MANUAL GUIDE GIVEN WITH THIS APPLIANCE. THE INSTALLATION MUST BE IN AGREEMENT WITH LOCAL AND NATIONAL REGULATIONS APPLICABLE FOR SOLID FUEL BURNING APPLIANCES AND CONNEX EQUIPMENT (CAN/CSA-B365, NFPA211(USA) AND THE APPLICABLE BUILDING CODE .

WARNING ! NEVER MODIFY THIS APPLIANCE!

ATMOSPHERE FURNACE 727 CHARACTERISTICS

Combustible	Wood
Recommended surface	1500 to 3500 Ft ² (139 to 325m ²)
Evacuation pipe diameter	7in (17,8 cm)
Chimney minimal height	12 ft (3,66m)
Top hot air exit	13½ in X 13½ in (34,3 X 34,3cm)
Dimensions:	
Exterior height	38 ½ po (98cm) without plenum 44¼ in (113cm) with plenum
Exterior width	26 in (66cm) without electric box 33¾ in (85,7cm) with electric box
Exterior depth	37 ½ in (95cm) without ventilation box 44 ¼ in (112.4cm) with ventilation box
Door opening	16 in X 11 in (40,6 X 28cm)
Inside height	16½ in (41,9cm)
Inside width	18 in (45.7)
Inside depth	27 in (68,6cm)
Maximal length of log	24 in (61cm)
Combustion duration	6 to 12 hours
Weight	480 pounds (218 kg)
Clearances	
Back	12 in (30,5cm)
Lateral	12 in (30,5cm)
Roof	84 in (2,14m)

* One 460CFM fan included.

WARNING

Before installing, please take a few minutes to read this handbook. Keep it in a sure place and easily reachable for future references. Not following these instructions could be a cause of property damages, injuries or death. If this appliance is not properly installed, it could cause fire damages to the property, injuries and death. To reduce fire hazards, follow instructions contained in this handbook.

Contact an official inspector (ex: a fireman) or your insurance company for installation permit. Always respect the provincial and municipal building codes of your region.

Do not connect this appliance to a chimney that already serves for another wood appliance.

Do not install the appliance in a mobile house.

The existing chimney should be well inspected before any installation. In doubt, consult a specialist.

The room where the appliance must be installed must measure a minimum of 64 ft² and must be very well ventilated.

Minimum clearances found in this manual must be observed.

Never use a non-isolated exterior conduct or a single wall flue pipe as an exterior exit.

Put in place the firebricks before lighting the appliance (if they are not in place yet).

WARNING : Very hot while in function

- Keep children far away from the appliance.
- Never let the appliance without supervision when the door is open.
- Always close the doors after the lighting period.
- Do not use chemical products or other liquid to light the fire.
- Do not burn waste or inflammable fluids like gas, naphtha or motor oil.
- Always keep combustible material (clothes, furnitures, wood, matches, plastics, etc...) at a minimal distance of 91,5 cm (3 feet) from the appliance.

This appliance is certified to burn wood. Do not use any other combustible.

Wood should not be stocked within the recommended minimums clearances or in the necessary space for the loading and the ashes evacuation.

Always use dried wood. Do not burn green or wet wood. Do not use construction debris such as pieces of 2x4, plywood...

If the appliance starts to blush, it's because it is too charged. Do not add fuel. Immediately close the doors and the air intake of the appliance until everything becomes normal again.

Do not load the appliance beyond the firebricks height.

Ashes must be evacuated frequently, put in a steel container provided with a tight lid and be placed outside at once. You must never place other waste in this container.

Considering the need of air for the combustion, a window or a door must be half opened sometimes (fresh air drainage) to balance the pressure in the house, especially if:

- A fan already evacuates air towards outside (kitchen, bathroom.)
- You want to avoid a repression of smoke when lighting the appliance and when reloading the wood.

It is recommended to have a smoke detector near the appliance.

You should contact your municipal or provincial fire department to have knowledge of the procedure to be followed in case of a chimney fire. Think of an emergency plan.

In case of a chimney fire:

- Hermetically close the doors and the air intakes.
- Water the combustible material adjacent to the chimney.
- Ring the alarm, evacuate the house if necessary and call the firemen.
- Never touch the pipes until the fire is not completely extinct.
- Do not use the chimney until it has been inspected or repaired.

Keep all the doors closed while the appliance is in function. Frequently verify the ceramics cords, they must always be in good condition.

The chimney pipe should not pass close to water, gas or oil pipes, nor close to electric wire or other types of conduits, of combustible materials in the roofs, the attics, the walls or the floors. If you have to make it pass through a wall or a part of combustible construction, do not forget that the installation must be in accordance with the CAN/CSA-B365. Use at least 12 feet of a 7 inches diameter vertical chimney.

NOTE:

FOLLOW THESE INSTRUCTIONS IN ORDER TO AVOID FIRE HAZARDS, WOUNDS AND PROPERTY DAMAGES.

NOTICE

The *Atmosphere furnace 727* was conceived to safely function the doors closed and only when burning firewood. Any change, modification or unauthorized installation will automatically cancel the certification of the appliance, its guarantee, its homologation and the appliance might become dangerous.

During the first hours of operation, you must heat it gradually. In order to allow an appropriate cooking of the paint and in order to facilitate its adhesion with metal, do not heat the appliance with a strong fire. It will also avoid thermal shock which could lift up the paint or make it whiten.

Make sure that the room is ventilated enough in order to eliminate the odours and the smoke coming from the paint during the first hours of utilization. It is normal that a light smoke is released from the paint during the first hours of use.

Even if this nuisance is temporary, open the windows and the doors in order to ensure a good ventilation. This special paint is conceived to tolerate temperatures until 1200°F (650°C).

CREOSOTE

The wood burning slowly produces tar and other organic steams, which forms a whole called “creosote”. The steam condenses in the cool chimney when the wood is burning slowly. In this way, creosote residues are formed on the walls. Creosote can take several forms: tarry liquid, soot dust or deposits in crystal form. When in fire, the creosote releases a very strong heat and can be the cause of a chimney fire.

- **Do not knock on the glasses or violently close the doors.**
- **Do not use the appliance when a glass is broken or damaged.**
- **Do not build the fire too close of the glasses.**
- **Keep the doors closed when using the appliance.**
- **Do not connect the *ATF 727* with a chimney or a flue serving another heating appliance**

CHIMNEY

Only use approved chimneys of the same dimensions as the appliance exit. Therefore, you should use 7 inches diameter chimneys for your *Atmosphere furnace 727*. Chimneys must be tested upon the ULC S629 CSA, UL103 norms. The *Atmosphere furnace 727* wood appliance can be installed onto a masonry chimney following the ULC S635, ULC S640 and the UL 1777 norms. Do not forget to plan a place for the sweeping of the chimney.

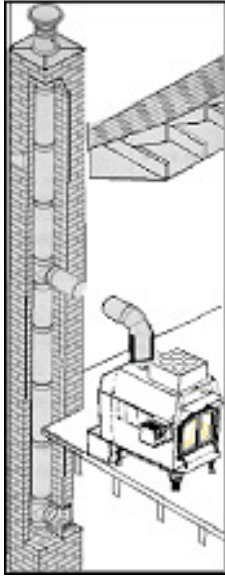
When possible, it is preferable to avoid an outside chimney or built on an exterior wall, and this is even more important for colder areas. Outside chimneys generally have a less efficient draught. They can even have an inverse draught because it is hard to heat them enough so that they can reach their operating temperature. A greater accumulation of creosote, a less efficient draught and a lesser performance are some characteristics of cold chimneys. Draught is proportional to the total chimney height as well as its temperature. It is therefore possible to get a better draught by increasing the chimney's height and by reducing the heat loss with an insulated lining. The chimney has to be installed with a stainless steel lining. Make sure that all smoke pipe joints are really airtight. A leak reduces the efficiency of the appliance and could even make its utilization dangerous.

INSTALLATION

A good installation is extremely important for a safe and efficient use of your J.A. Roby Inc. appliance. If you doubt on the way to install the appliance correctly, seek for professional installation service. We suggest you to call masters fitters.

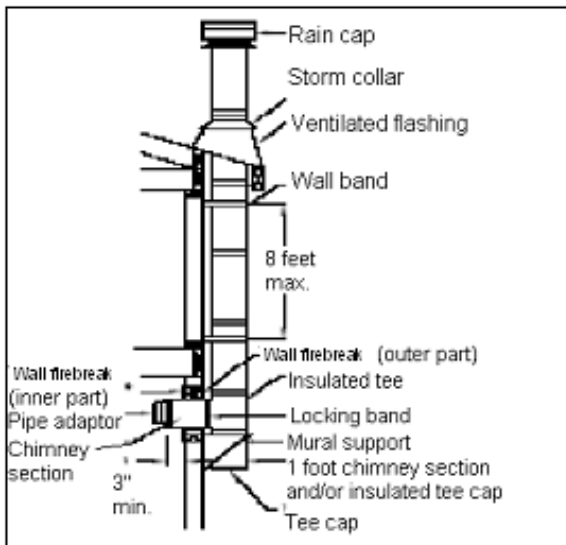
1. Withdraw firebricks placed inside the appliance in order to reduce the weight and to facilitate the installation.
2. You must install a fireproof plate under the appliance, which must exceed of 18 inches at the front and of 8 inches at each side.
3. The option of 4 round exits of 6" diameter or 2 round exits of 8" diameter is allowed for an installation after the plenum by respecting pressure and air volume.
4. The free space shall not be reduced except under the approval of the authorities responsible for the application of the building code.
5. Install the chimney and an insulated wall firebreak for an installation passing through a wall according to the instructions from the chimney manufacturer.
6. Install the firebricks in accordance with the recommended instructions for your model.
7. The appliance should not be connected to an hot air conduct.

VERTICAL INSTALLATION INSIDE A MASONRY CHIMNEY



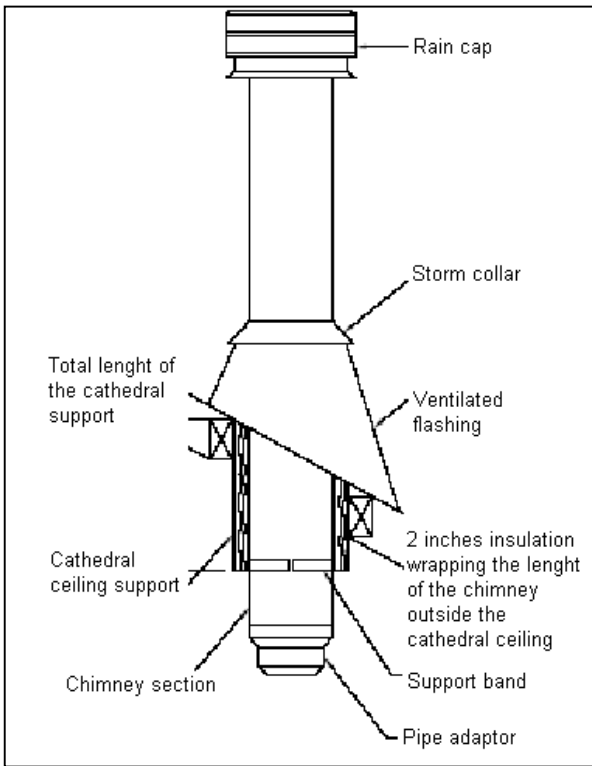
The *Atmosphere furnace 727* wood appliance must be installed in accordance with the applicable local laws or the CAN/CSA-B365, ULC S635, ULC S640, UL 1777 norms. Install the chimney following the manufacturer's instructions.

EXTERIOR VERTICAL INSTALLATION



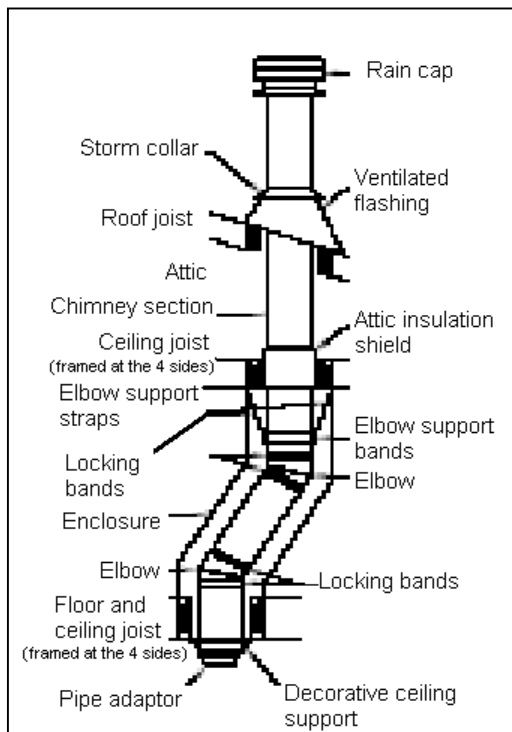
The *Atmosphere furnace 727* wood appliance must be installed in accordance with the applicable local laws or the CAN/CSA-B365 norm. Install the chimney following the manufacturer's instructions.

VERTICAL INSTALLATION ON A CATHEDRAL ROOF



The *Atmosphere furnace 727* wood appliance must be installed in accordance with the applicable local laws or the CAN/CSA-B365 norm. Install the chimney following the manufacturer's instructions.

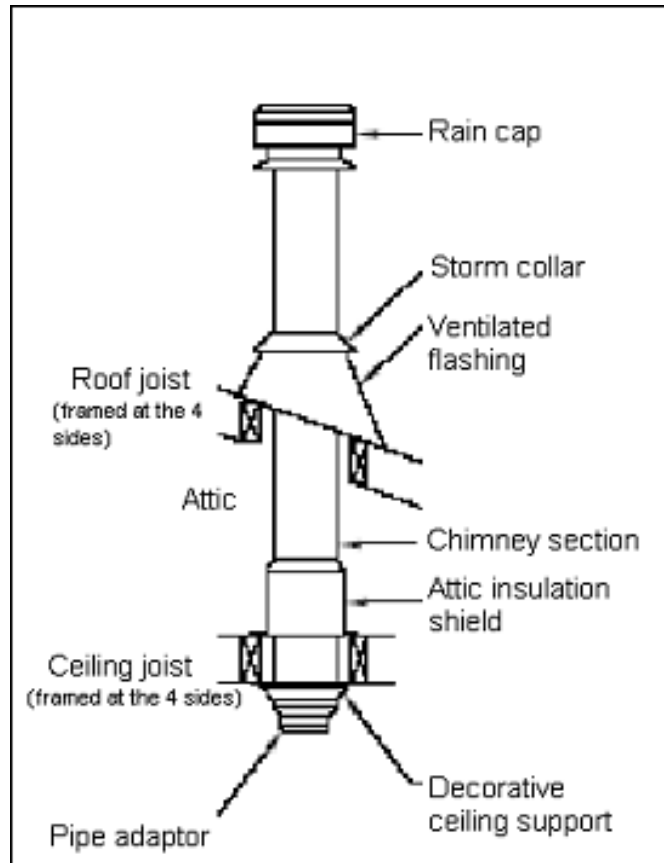
CROSS STYLE INSTALLATION



The *Atmosphere furnace 727* wood appliance must be installed in accordance with the applicable local laws or the CAN/CSA-B365 norm. Install the chimney following the manufacturer's instructions.

VERTICAL INSTALLATION

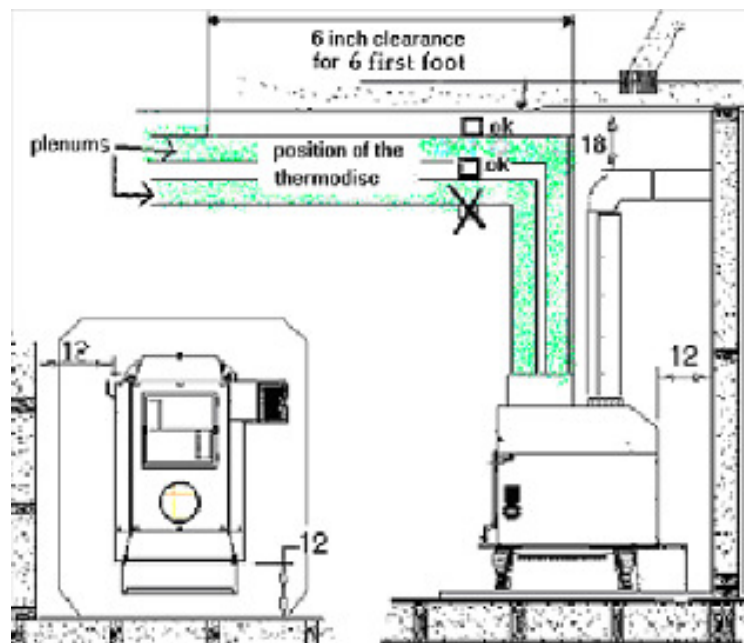
The *Atmosphere furnace 727* wood appliance must be installed in accordance with the applicable local laws or the CAN/CSA-B365 norm. Install the chimney following the manufacturer's instructions.



CLEARANCES

Due to its reduced clearances, this appliance occupies a minimum of space in the room where it is installed. No matter where you install it, this appliance will perfectly complete your decoration by its originality and its heat. This appliance only needs a 12 inches clearance at its back, 12 inches from the lateral walls and 18 inches from the ceiling. For the plenums and heat exchanger, the clearances must be of 6 inches for the 6 first feet and of zero thereafter.

If you place the plenums (4 exits of 6 inches or 2 exits of 8 inches plenums) in front of the appliance, do not place the safety thermodisc under the plenum. The door's heat may stop the appliance and the fans may not restart when the electricity returns; the thermodisc being too hot.



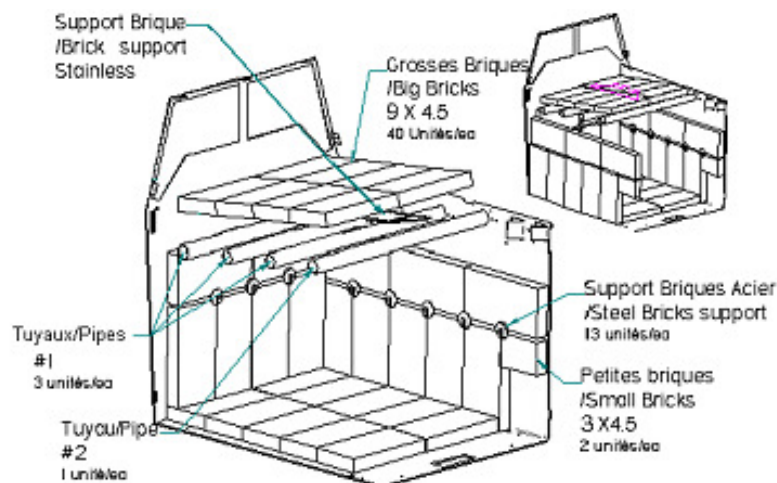
INSTALLATION OF THE FIREBRICKS

To begin with, you must consider that the screw which will fix the bottom bricks and the one which will fix the lateral bricks are partially screwed and that the stainless pipes (4) are installed. There are three (3) pipes model #1 and 1 pipe model #2.

Stages :

1. Install the first row of bricks (stand up) on the lateral sides (5 on each side).
2. After that, install the ten bricks at the bottom of the appliance. Take care to push them against the bottom wall.
3. Install the two small bricks on each side.
4. Then, install the four bricks in the stand up position and press them against the bottom wall (Do not screw immediately).
5. Install the bricks on each lateral sides (3 in the larger position as illustrated) and install the two bricks on the bottom wall.
6. Screw all the screws but don't tighten too much in order to avoid the blow up of the bricks.
7. Place the bricks support on the top and be sure that it is centered.
8. Install the eight top bricks (over the bricks support).

* Be sure that they are centered and place them against each other. (Pass the bricks by the chimney hole).



FANS AND THERMODISC

The 115 volts fans must be screwed under the ventilation conduct at the planned place in the appliance rear. The protection thermodisc box must be fixed at 72 inches (182,88cm) from the appliance on the ventilation conduct. A hole must be done in order to permit the air coming from the fans to touch lightly the thermodisc. Plug the terminal.

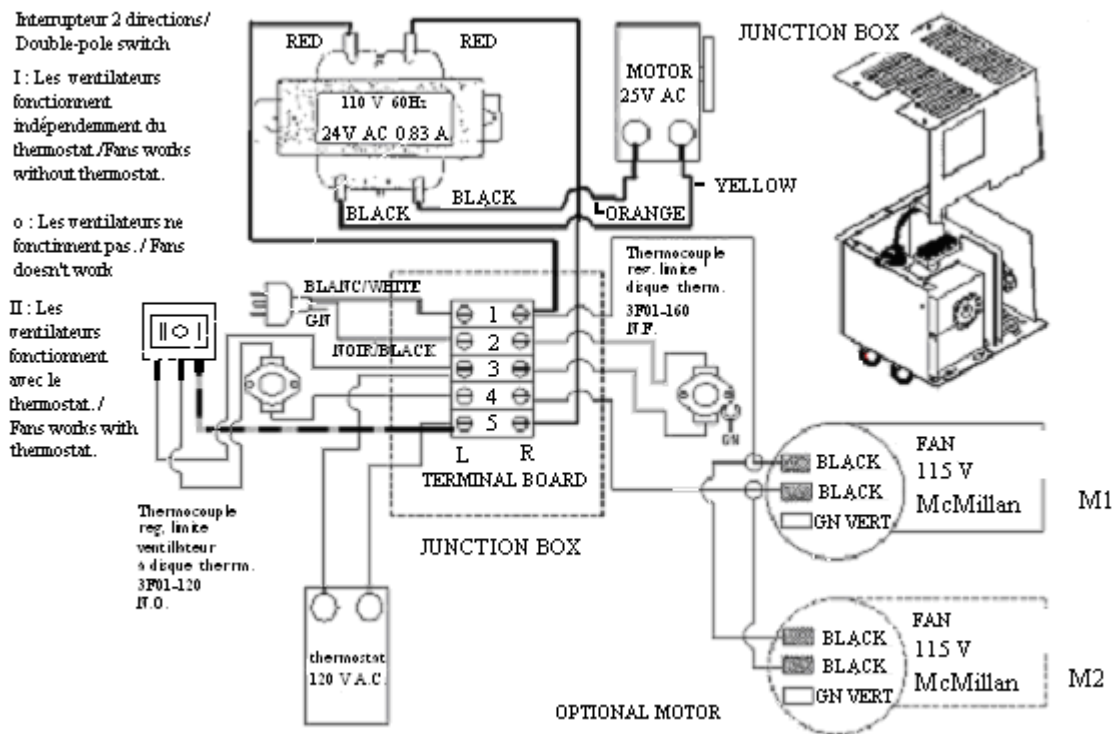
When the appliance is in function, the heat reaching a temperature of 120oC activates the thermodisc. At this moment, the thermodisc activates the fans for a better distribution of heat in your home. As soon as the heat goes under 120oC, the thermodisc automatically stops the fans.

When the appliance is in fonction, and that the protection thermodisc fixed on the ventilation conduct reaches a temperature of 160⁰F, the thermodisc will stop the fans and will close the air entry in order to slow down the combustion and will stop distributing the heat in the ventilation conduct of your home. When the heat goes under 160⁰F, the thermodisc will automatically allow the air entry opening and will start the fans.

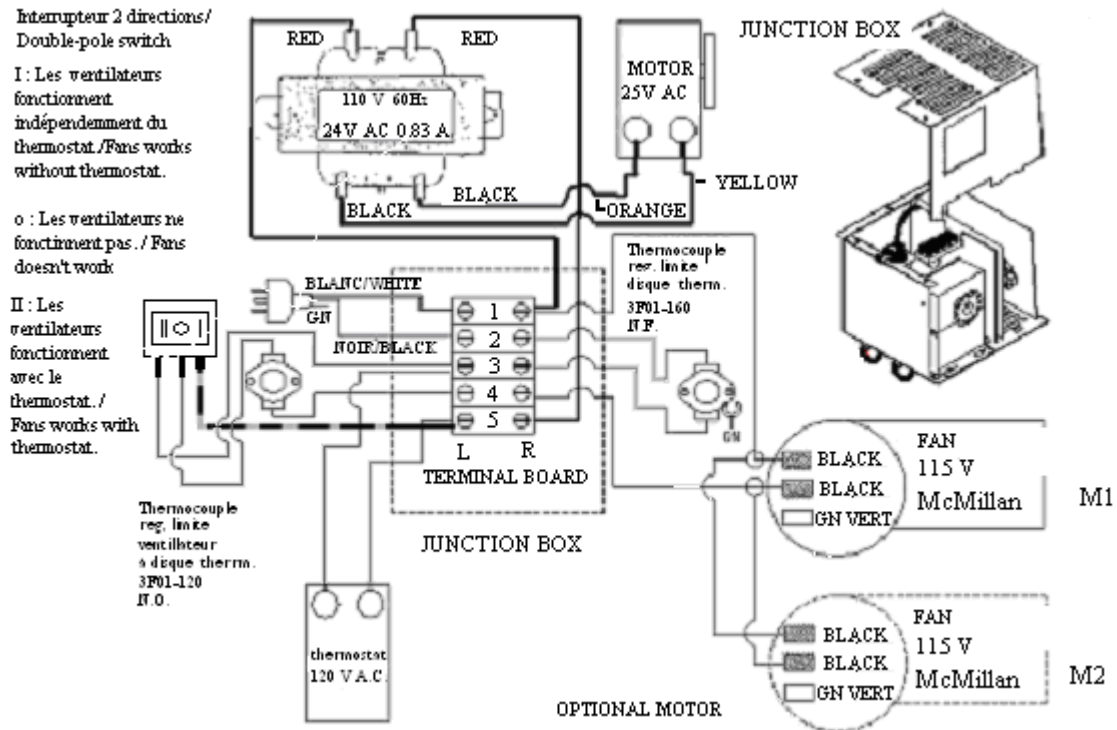
If you use the appliance without thermostat, see the section named “ In case of extended electric failure”

The electrical cord of the fans must never touch the appliance surfaces in order to avoid electrical shock or fire.

ELECTRICAL PLAN



HOW TO PLUG THE THERMOSTAT DIRECTLY INTO THE TERMINAL BOARD



-To plug the thermostat into de terminal board, unscrew the scew position 3 and 5 at the left and insert wire thermostat respectively in them.

Switch position:

1: Fans works without thermostat.

0: Fans doesn't work.

2: Fans works with thermostat

460 CFM FAN AND PROTECTION BOX INSTALLATION

1.

- Fix the electric box on the left side of the appliance (left side when you face the appliance). Use 4 screws.
- Place the stalk which allows to open the first air entry in the hole.



2.

- Remove the rear panel.



3.

- Fix the motor on the appliance with 6 screws, ring and nuts.
- Replace the rear panel of the appliance.



4.

- Put the fan protection box at its place.
- Fix the box and the other missing sides (18 screws).
- Pass the fan wire in the connector and let 15 cm (6 inches) to go in the protection box.
- Then tighten the connector screw.
- Plug the wires (3 connector Marret style)



5.

- Place and fix the cover.(6 screws).

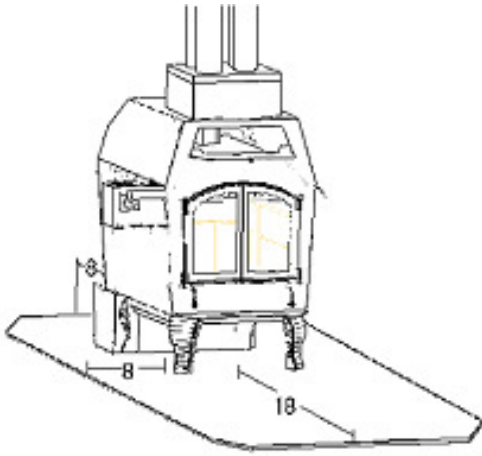


6.

- Pass the fan wire in the provided space.



SEATING



You must install a fireproof plate under the appliance, which must exceed it of 18 inches to the front, of 8 inches to the sides and of 8 inches at the back.

****** Use only non-combustible materials such as ceramics, marble or granite.**

LIGHTING

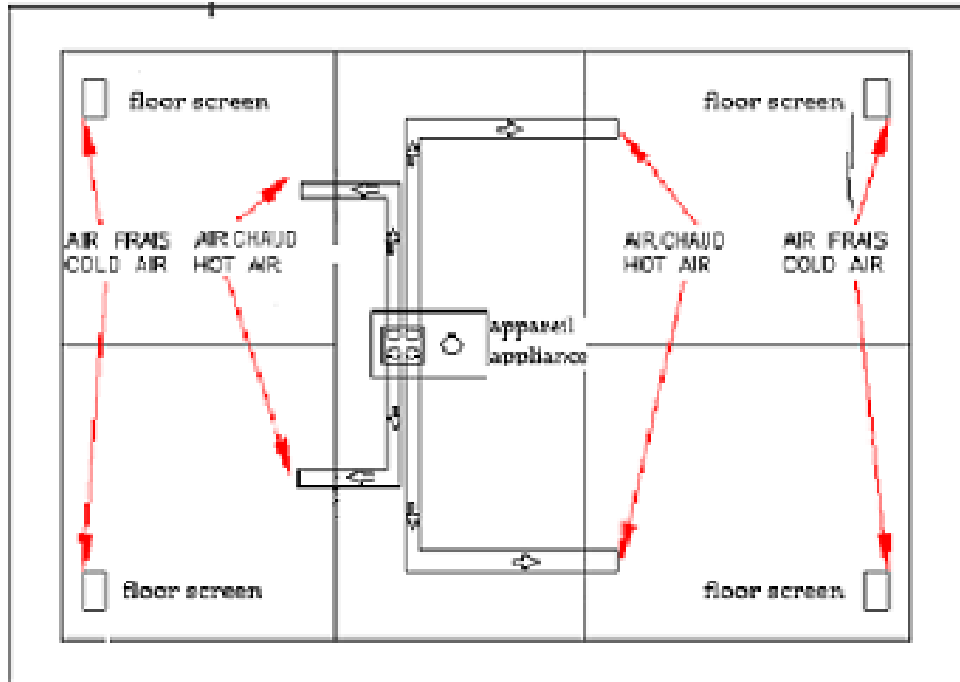
Now that you have completed the installation of the appliance according to the recommendations, you are ready for the lighting!

1. Place papers and small wood in the appliance.
2. Before lighting, be sure that the chimney is warm enough.
3. When the fire is well lit, gradually add bigger wood logs until an ember bed is formed.
4. You can then control combustion by closing or opening the air intakes (a rod pulled down indicates a closed air intake). The wood will burn more quickly if the air intakes are opened to the maximum and more slowly if they are only slightly open.

Do not charge the appliance beyond the bricks.

AIR CIRCULATION OF THE HEATING SYSTEM

Always refer to the applicable building code before installing the hot air conduct.



It is recommended to install a floor screen in order to balance the air pressure between the floor where the appliance is installed and the superior floor. It is also recommended to install those floor screen to each home extremity.

Hot air pipe :	8" diameter for 20 feet length. 6" diameter for 15 feet length.
----------------	--

An air supply must be installed if :

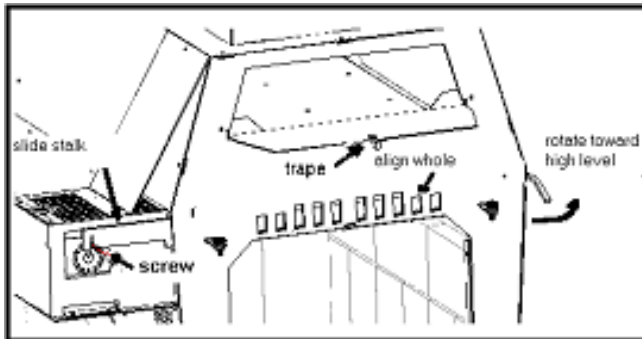
- The appliance seems to have an irregular draft control, a smoke return, a bad combustion and a counter-blow even though you have a combustion or not.
- Your other appliances, such as hearths or other heating appliances, release odors, heat badly, provoke smoke return or a counterblow, even though there is combustion or not.
- An opened window, even slightly, by a calm temperature (without wind) stops the situation above.
- Your home was built with isolated dandruffs and with well adjusted windows, and/or was built with a mechanism to evacuate the interior air.

If, with these indications, there is not enough air infiltration, you must ensure an air supply.

In doubt, it is recommended to ensure an air supply.

IN CASE OF EXTENDED ELECTRIC FAILURE

Lift up the stem of the air intake and make it slip towards the interior so as to align its holes with the holes at the front of the appliance, allowing a contribution or a reduction of air, according to the needs. To measure out the air entry in the combustion chamber, you have to rotate the handle; upwards for an opening and downwards for a closing.



It is important to lower the ventilation door at the front so that heat can spread out in the room. The appliance will become much hotter without the circulation of air coming from the fans; thus the ceilings, the walls and everything around the appliance will be exposed to an higher heat than normal.

AIR SUPPLY

A new air supply can be done by the following ways:

Indirect method : In the case of an appliance not certified for a direct connection with a source of new air supply, the new air is brought in a conduit at a maximum of 300mm (12 Po) of the appliance, in order to not compromise its operation.

Mechanic ventilation system : If the home is built with a ventilation system (air exchange or heat recovery)

- I. The ventilation system might be able to supply an efficient air quantity to a solid combustible appliance, and
- II. The owner should be informed that the ventilation system can have to be rebalanced by a technician specialised in ventilation after the installation of the solid combustible appliance..

PREVENTIVE MEASURES AND MAINTENANCE

1. We recommend to open the air intakes completely and to maintain an intense fire from 10 to 20 minutes per day.
2. Verify the accumulation of creosote every week that you use the appliance until you know at which frequency it must be cleaned (minimum once per year).
3. Remove every creosote deposit in order to prevent chimney fires.
4. Do not alter or modify the air intakes of the appliance in order to get a stronger fire.
5. To clean the glasses, J.A. Roby Inc. recommends to use products sold for this purpose or an oven cleaner. Avoid cleaning with abrasives or when the glass is hot.
6. Before lighting the first fire, clean the gold plated surfaces using a very soft rag moistened with water. Do not use a paper towel to clean gildings. If they are not erased before the first fire, fingerprints and other marks could stain these surfaces permanently.
7. The Atmosphere is provided with an ashtray under the door. To empty the appliance, you just have to remove the cap made of steel (in the centre of the appliance) and to glide the ashes into the ashtray. Do not forget to replace the cap.

In case of a glass replacement:

Remove the screws that retain the glasses and then, the fragments of glasses. Check if the seal cords are damaged.

If so, replace them by a ½ inch ceramics cord and replace the broken glasses by VITROCERAMICS glasses of 5mm.

Cut the glass edge 3mm smaller on each side, so that the fiberglass cord can be slipped on the edge of the glass at the time of its installation. Fix the glass by screwing it.

Contact your retailer to obtain any information you might need for the replacement of the glasses.

DO NOT USE SUBSTITUTES.

INTERCHANGEABLE PARTS LIST

- BRICK
- INTERIOR PIPE
- GLASS
- BRICK' S SUPPORT
- DOOR HANDLE
- APPLIANCE' S DOOR
- FANS
- SEALANT CORDS
- THERMODISC
- DAMPER MOTOR
- TRANSFORMATOR
- THERMOSTAT
- BUTTERFLY VALVE
- AIR ENTRY STALK

*** TO ORDER PARTS, PLEASE CONTACT YOUR AUTHORIZED RETAILER.**



LIMITED LIFE WARRANTY

J.A. ROBY INC. warrants for life (following conditions written in the present manual) its high quality appliances against all manufacturing defectiveness. This warranty is only valid for the first buyer of the appliance with a purchase proof and the serial number of the appliance.

This warranty is valid only for a normal residential utilisation. All damages caused by a misuse, a wrong installation, a wrong maintenance, a negligence or an accident during transportation are not covered by this warranty.

This warranty does not cover scratches, corrosion or discoloration caused by excessive heat, abrasives and chemical cleaners. All defectiveness or damage caused by the use of parts other than the manufacturer's original parts will automatically cancel this warranty.

This warranty is subject to the following exceptions: glass, paint, firebricks, door's plating, decorations, ceramic cord and installation. The fans and electrical parts are covered by a 90 days warranty (from invoice date).

The **1st year**, J.A. Roby Inc. engages to undertake the necessary repairs without additional charges. The appliance must be sent to our manufacture, located at 490, rue de l'Argon, Québec (Québec) G2N 2C9. The owner must prepay transportation charges. **J.A. Roby inc. will NOT accept any transportation charges.**

The 2nd year, J.A. ROBY Inc. assume **50%** of repairs according to the above conditions.

The 3rd year, J.A. ROBY Inc. assume **45%** of repairs according to the above conditions.

The 4th year, J.A.ROBY Inc. assume **40%** of repairs according to the above conditions.

Subsequent years, J.A.ROBY Inc. assume **30%** of repairs according to the above conditions.

You MUST return this card in order to register your appliance for the Warranty.

If your appliance has defectiveness, contact immediately your J.A. Roby distributor whom will guide you.

Before sending a product or a part at our manufacture, you must receive an authorization number from your sale representative or your J.A. Roby distributor. All merchandise sent without authorization will not be accepted and will be returned to the shipper.

WARRANTY CARD

APPLIANCE MODEL: _____

DATE OF PURCHASE: _____

STORE: _____

INSTALLATION DATE: _____ SERIAL #: _____

NAME: _____

ADDRESS: _____

PROVINCE: _____ POSTAL CODE: _____

INSTALLED BY: _____

BUYER'S SIGNATURE: _____