



Warmth from the heart of J.A.ROBY INC.

PLEASE READ CAREFULLY AND KEEP
THIS MANUAL FOR FUTURE REFERENCE

Instruction Manual

YOU CAN CONSULT A PROFESSIONAL INSTALLER OR ASK FIRE OFFICIALS OR LOCAL AUTHORITY ABOUT
RESTRICTION AND INSTALLATION INSPECTION IN YOUR AREA.

ULTIMATE TOR



We recommend that our woodburning
hearth products be installed and serviced
by professionals who are certified in Canada
by Wood Energy Technical Training (WETT).



Intertek

Certified and tested according to
CAN/ULC S627
CSA B415.1

490, rue de l'Argon
Québec, CANADA G2N 2C9
Tél.: 418-849-8095 Fax : 418-849-0077
www.jaroby.com

Table of Content

Introduction.....	3	Primary and secondary air admission control	23
Listing and code approvals.....	3	Lightning fire.....	23
Appliance certification.....	3	First fire.....	23
BTU & Efficiency Specifications	3	Keep a fire.....	24
Efficiency.....	3	Fans Controls.....	24
Warning	3	Fuel Selection.....	24
Rating plate.....	4	Moisture Meter Information	24
Appliance Dimension	5	Things not to burn.....	24
Specifications.....	6	Wood storage	24
Clearances to combustible material	6	Draft	24
Installation	7	Maintenance	25
Use of smoke detectors and carbon monoxide monitors.....	7	Ash Removal.....	25
Floor protection.....	7	Ash Disposal	25
Floor protection plate minimum dimensions	7	Creosote Formation.....	25
Clearances chart on floor plate	7	Chimney Inspection.....	25
Minimums clearances to combustible material	8	Chimney Sweeping.....	25
Assembly before installation	9	Door maintenance	26
Installing legs.....	9	Air Tighten Adjustment	26
Fan and Snap disc box installation.....	9	Door adjustment (hinges side)	26
Firebricks installation	10	Door adjustment (right side).....	26
Bottom firebricks installation	10	Cleaning up glass	26
Back firebricks installation.....	10	Disassembly and reassembly of door	26
Side firebricks installation.....	11	Replacing broken glass	26
Firebricks installation on the pipes	11	Replacing glass fiber rope	27
Firebox configuration and part list	13	Glass fiber rope preparation	27
General stove installation steps	14	Glass fiber rope installation.....	27
Location considerations.....	14	What to do in case of Chimney Fire	27
General steps of installation.....	14	Annex 1	28
Chimney connector installation	15	Door assembly	28
General steps of chimney installation.....	16	Square Door	28
Inside Masonry Chimney, Vertical Installation	17	Arc Door	28
Outside Vertical Installation.....	17	Annex 2	29
Cathedral Vertical Installation	18	Circuit diagram of fan	29
Offset Installation.....	18	Snap Disc Box parts description.....	29
Vertical Installation.....	19	Annex 3	30
External combustion air source	20	Parts that can be replaced.....	30
Air Inlet Obstruction	20	Annex 4	31
Part replacement.....	21	Installation of optional fan kits.....	31
Steel deflector replacement	21	460 CFMs fan kit (part #: VENT460 TH)	31
Front deflector replacement	21	Installation of the optional 460 CFMs second blower (part #: VENT460T+)	32
Stainless steel tubes replacement	21	Adjustment of the fan speed.....	32
Stainless steel tube Installation.....	21	J. A. Roby Limited Lifetime warranty	33
Tube support installation.....	22		
Operating Instructions.....	23		
Removable Handle Installation	23		

Introduction

Save these instructions. This manual describes the operation and installation of J.A. Roby woodstove model: Ultimate Tor. This appliance responds to CSA B415.1 with sized controlled cord wood. The capacity of this appliance is from 16 650 BTU/h to 59 262 BTU/h.

Read all instructions carefully before installing your new J.A. Roby stove. A good installation is very important for a safe and effective use of this appliance. If you have doubts about the instruction to install your appliance correctly, we suggest calling a professional installer. A wrong installation may result in a fire, burns and possible death.

Keep these instructions for future reference.

This appliance must be connected to:

- A HT type factory-built chimney approved UL103 or ULC 629 with 6 inches diameter (15.24 cm);
- A code-approved masonry chimney with a flue liner with a 6 inches diameter (15.24cm).

Listing and code approvals

Appliance certification

The Ultimate Tor, Magnum and Master wood stove meets the CSA B415.1 cord wood emission standard.

This appliance also meets:

- ULC S627-2021 Standard for Space Heaters for Use with Solid Fuels;

BTU & Efficiency Specifications

- LHV efficiency 74.24%
- HHV efficiency : 68.99%
- Particle emission 1.30g/h
- Particle emission 0.04g/MJ
- Minimum burn rate 1.24 Kg/hr
- Minimum Heat Output* 16 650 BTU/hr
- Maximum Heat Output* : 59 262 BTU/hr
- Vent size 6"
- Firebox size 3.82 cubic feet
- Recommended wood length: 20 inches
- Chamber combustion depth: 24 inches
- Fuel Orientation: front to rear.
- Fuel: Seasoned cord wood.

* A range of BTU outputs based CSA B415.1 Default Efficiency and the burn rates from the low and high CSA B415.1 emission tests, using cord wood.

Efficiency

The average of the efficiency of the stove is 71.6%. When the seasoned wood has lower moisture the efficiency will be better. When the outside temperature is really cold, it is important to create a good draft in chimney. When the appliance is in the basement, the chimney is higher than if the appliance would be in the main living area. The draft will be better because we have more length of chimney.

Warning

-DO NOT USE CHEMICALS OR FLUIDS TO START THE FIRE

DO NOT BURN GARBAGE OR FLAMMABLE FLUIDS

If this appliance is in an area where children may be near, it is recommended that you place a decorative barrier in front of the appliance.

HOT WHILE IN OPERATION. KEEP CHILDREN, CLOTHINGS AND FURNITURES AWAY. CONTACT MAY CAUSE SKIN BURNS

N.B: BE WARNED THAT THE LOCAL CODES AND RULES CAN HAVE MORE SPECIFIC REQUIREMENT THAN THIS MANUAL. YOU CAN CONSULT A PROFESSIONAL INSTALLER OR ASK FIRE OFFICIALS OR LOCAL AUTHORITY ABOUT RESTRICTION AND INSTALLATION INSPECTION IN YOUR AREA.


YOU MIGHT NEED TO OBTAIN A PERMIT FOR INSTALLING CHIMNEY AND STOVE.

DO NOT CONNECT THIS APPLIANCE TO A CHIMNEY FLUE SERVING ANOTHER APPLIANCE.

DO NOT CONNECT TO OR USE IN CONJUNCTION WITH ANY AIR DISTRIBUTION DUCTWORK UNLESS SPECIFICALLY APPROVED FOR SUCH INSTALLATIONS.

THIS APPLIANCE IS BUILT FOR BURNING SEASONED CORDWOOD ONLY. USE OF ANY OTHER TYPE OF FUEL LIKE COAL/ CONSTRUCTION WOOD/ TREATED WOOD/ FLAMABLE LIQUID/ TRASH/ OR ANY FLAMABLE THING CAN OVERFIRE AND DAMAGE THE STOVE.

Rating plate



FABRIQUÉ AU CANADA
PAR:
MADE IN CANADA BY:

J.A. ROBY INC.

Au cœur de la chaleur
Warmth from the heart
of J.A. Roby Inc.
490 rue de l'Argon, Québec, Canada,
G2N 2C9

NE PAS ENLEVER CETTE ÉTIQUETTE / DO NOT REMOVE THIS LABEL

POÊLE À COMBUSTIBLES SOLIDES HOMOLOGUÉ /
LISTED SOLID FUEL BURNING SPACE HEATER
MODÈLES / MODELS:

■ Ultimate ■ Magnum ■ Master

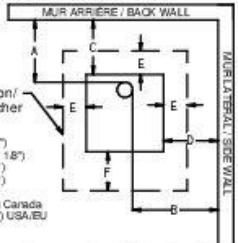
EMISSION RATE-g/hr [g/MJ] - TAUX D'ÉMISSION : 1.30 g/hr [0.04g/MJ]
HHV Efficiency : 68.99% LHV Efficiency : 74.24% VOLUME : 3.82 cubic feet/pieds cube
MINIMUM HEAT OUTPUT : 16 650 BTU/hr : PUISSANCE DE CHAUFFAGE MINIMUM
MAXIMUM HEAT OUTPUT : 59 262 BTU/hr : PUISSANCE DE CHAUFFAGE MAXIMUM

Certifié selon / Certified to:

SÉCURITÉ / SAFETY: ULC S627, ÉMISSION / EMISSION: CSA B415.1

W/H-

-Dégagements minimaux aux matériaux combustibles (mesuré à partir du dessus du poêle) Avec tuyau à parois simple et pare-chaleur
-Minimum clearances to combustible materials (measured from stove top) With single wall connector and heat shield



MUR ARRIÈRE / BACK WALL

MUR LATÉRAL / SIDE WALL

Floor protection / Protège plancher

A: 48.18 cm (17")
B: 79.29 cm (31.18")
C: 25.4 cm (10")
D: 50.8 cm (20")
E: 20.3 cm (8")
F: 45.7 cm (18") Canada
F: 406.4 mm (16") USA/EU

* Utiliser seulement une cheminée homologuée HT d'un diamètre intérieur de 6 pouces (152.4 mm) ou une cheminée pré-fabriquée approuvée ULC S629 ou une cheminée de maçonnerie avec un revêtement intérieur homologué de 6 pouces. Utiliser du tuyau 24gs pour le raccordement à l'appareil. ATTENTION: Les tuyaux de raccordement à paroi simple doivent avoir un pare-chaleur d'une épaisseur minimale de 29 gauges (0.013" / 0.33 mm) fixé sur le tuyau à une distance de 1 pouce (25.4 mm) du tuyau de raccordement en direction des murs.

* Installer et utiliser seulement conformément aux instructions du manuel d'installation et d'utilisation du fabricant. Renseignez-vous auprès des responsables locaux de la construction et de la prévention des incendies au sujet des restrictions et inspections des installations dans votre région.

* Cet appareil doit être installé sur les pattes incluses selon les directives du manuel d'installation.

* Cet unité doit être installé sur un protège plancher incombustible de 10mm (3/8") dimensionné selon le dessin ci-haut. VOIR LES LETTRES E et F

* Toujours s'assurer que l'admission d'air n'est pas obstruée et est ouvert.

* Ne pas surchauffer, si le poêle ou le collet de la cheminée deviennent rouge le poêle surchauffe.

* Ne pas brancher cet appareil sur une cheminée servant à un autre appareil. Au Canada utiliser la norme CAN/CSA B365 pour savoir comment faire.

* Inspecter et nettoyer la cheminée fréquemment. Sous certaines conditions de pollution le créosote peut s'accumuler rapidement.

* Ne pas utiliser de chenets ou de grilles pour élever le feu.

* Préparer le feu directement sur l'âtre.

* Remplacer la vitre par un verre de céramique de 4mm d'épaisseur.

* Pour une utilisation avec du bois de chauffage seulement - NE PAS BRÛLER AUCUN AUTRE COMBUSTIBLE.

* Brûler avec la porte fermée.

* Ouvrir l'admission d'air avant d'ouvrir la porte

* Ne pas obstruer l'espace sous le poêle

* Pour passer la cheminée au travers un mur ou un plafond combustible utiliser le manuel d'instruction et le code du bâtiment local

* Se référer au répertoire des produits homologués (<https://bpdirectory.intertek.com>) pour plus d'informations.

* ATTENTION- Les pièces mobiles peuvent causer des blessures. Ne pas opérer l'appareil avec le ventilateur retiré, si équipé.

* ATTENTION- Pièces chaudes. Ne pas opérer l'appareil avec le ventilateur retiré, si équipé.

* DANGER- Risque de chocs électriques. Débrancher l'alimentation avant de réparer l'unité

* Ventilateur J.A. Roby : 1 ventilateur de 460 ctm (puissance moyenne électrique : 115 Watts) (115V/60Hz/1A) 115W (no de pièce: VENT460TH)

* Voir les instructions d'installation du ventilateur à l'intérieur de la boîte et s'assurer que les ventilateurs sont débranchés avant l'installation

EXIGENCE: (pare-chaleur)
Feuille de métal de 0.33 mm (0.013") d'épaisseur espacée du tuyau à fumée de 25mm (1") par des matériaux incombustibles et de largeur suffisante pour permettre que la plus petite distance aux matériaux combustibles non protégés soit d'au moins de 450mm (18")

REQUIREMENT: (Heat Shield)
0.33 mm (0.013") sheet metal spaced out from the flue pipe 25mm (1") by non combustible spacers and such width that the shortest distance to any unprotected combustible space is at least 450 mm (18")

* Use Only 6 inches (152.4 mm) certified HT chimney or ULC S629 factory built chimney or a code approved masonry chimney with a 6 inches flue liner. Use 24 gs black chimney connector. Warning: Single wall certified chimney connector must have fixed heat-shield with minimum thickness of 29 gauges (0.0135 inch / 0.33 mm) at 1 inch (25.4 mm) offset of the chimney connector facing inward.

* Install and use only in accordance with manufacturer's installation and operating instructions. Contact local building or fire officials about restrictions and installation inspection in your area.

* This appliance must be installed with the legs provided, attached as shown in the installation manual.

* This Appliance Must Be Placed on a 10 mm (3/8") non combustible floor protection like schematic dimension above SEE LETTER E and F

* Always be sure that the external air inlet are not obstructed and open.

* Do Not Overfire - If heater or chimney connector glows, you are overfiring.

* Do Not Connect This Unit to a Chimney Serving Another Appliance. In Canada USE CAN/CSA B365 to know how to do.

* Inspect And Clean Chimney Frequently - Under Certain Conditions Of Use, Creosote Buildup May Occur Rapidly.

* Do Not Use Grate Or Elevate Firebuild Wood.

* Fire Directly On Hearth.

* Replace Glass Only With Ceramic Glass 4mm Thick.

* For Use With Solid Wood Fuel Only - DO NOT BURN ANY OTHER FUEL

* Burn With The Door Closed.

* Open damper before opening the door.

* Do not obstructing space under heater

* To pass chimney or chimney connector through combustible wall or ceiling, see owner manual and local building code.

* Refer to Intertek's directory of building products (<https://bpdirectory.intertek.com>) for detailed information.

* CAUTION- Moving parts may cause injury. Do not operate unit with blower removed, if equipped.

* CAUTION- Hot parts. Do not operate unit with blower removed, if equipped.

* DANGER- Risk of electric shock. Disconnect power before servicing unit.

* J.A. Roby Blowers : 1x 460 ctm fan (Average electrical power : 115Watts) (115V/60Hz/1A) 115W (part number: VENT460TH)

See blower installation inside the box and be sure the blower is disconnect from power before installation.

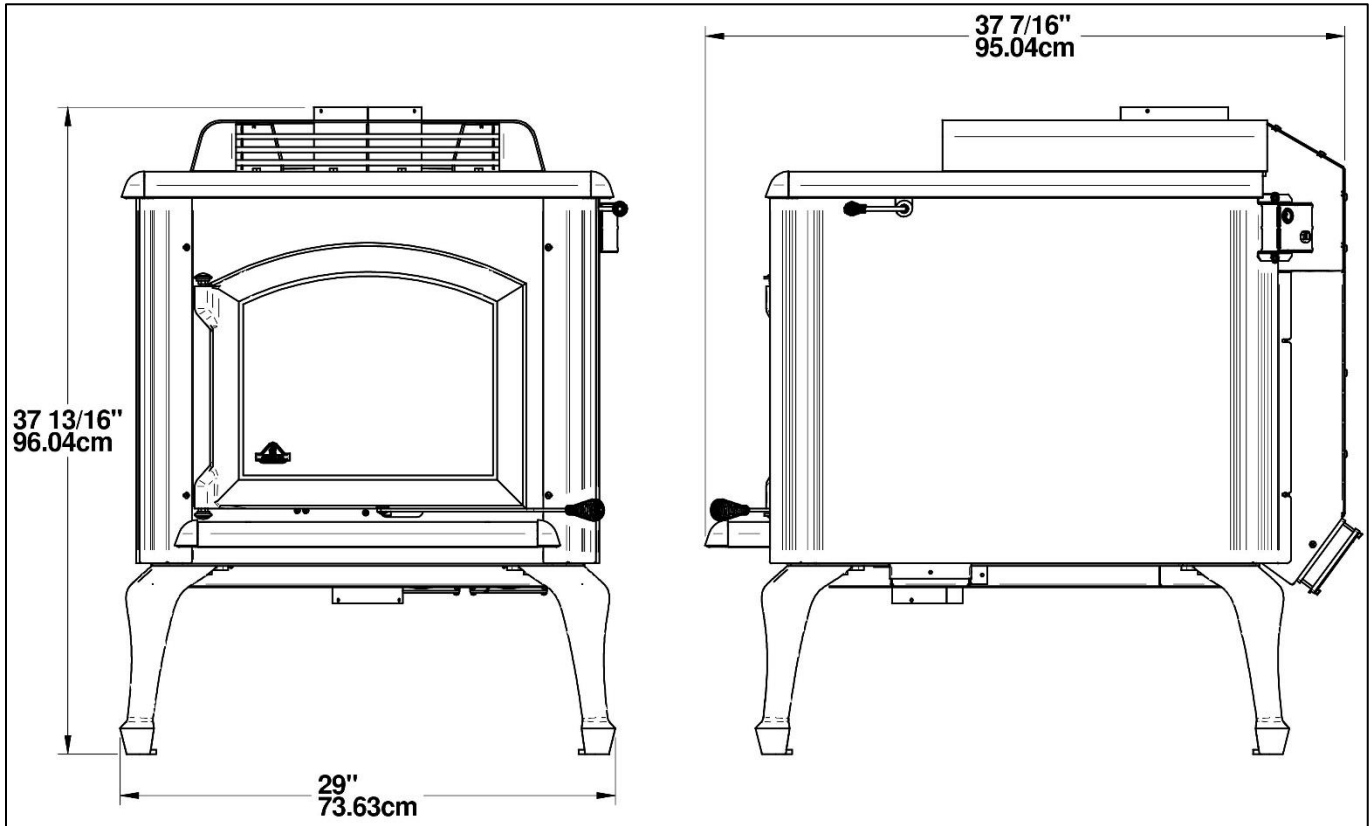
CAUTION !

HOT WHILE IN OPERATION. DO NOT TOUCH.
KEEP CHILDREN, CLOTHING AND FURNITURE AWAY. CONTACT MAY CAUSE SKIN BURNS.
SEE NAME-PLATE AND INSTRUCTION.

ATTENTION!

CHAUD LORSQU'EN FONCTION, NE PAS TOUCHER, GARDER LOIN DES ENFANTS, DES TISSUS ET DES MEUBLES. LE CONTACT PEUT CAUSER DES BRÛLURES À LA PEAU. VOIR LA PLAQUE SIGNALÉTIQUE ET LES INSTRUCTIONS.

Appliance Dimension



Specifications

	Ultimate Tor 2015
Combustible	Wood
Recommended surface area	3800 ft ²
Capacity	120 000 BTU/h
Flue pipe diameter	6 in (15.4 cm)
Minimal chimney height	12 ft. (365 cm)
Exterior Height	37 13/16 in (96 cm)
Exterior Width	29 in (73.6 cm)
Exterior Depth	37 7/16 in (95 cm)
Door Opening	16 in x 9.5 in (40.6 cm x 25.4 cm)
Interior Height	14 1/2 in (36.8 cm)
Interior Width	19 3/4 in (50.1 cm)
Interior Depth	15 1/2 in (38 cm)
Recommended log length	20 in (50.8 cm)
Chamber combustion depth	24 in (60.9 cm)
Average combustion time	4 to 18 hours
Weight	507 lb (230 kg)

Clearances to combustible material

	Ultimate Tor 2015
Back	10 in (25.4 cm)
Beside	20 in (50.8 cm)
Front	48 in (121.9 cm)
Minimum Ceiling Height	84 in (213.4 cm)
Back of Flue Collar	17 in (43.18 cm)
Side of Flue Collar	31 1/8 in (79.1 cm)

Installation

If this room heater is not properly installed, a house fire may result. To reduce the risk of fire, follow the installation instructions. Contact local building or fire officials about restrictions and installation inspection requirements in your area.

WARNING ALWAYS USE J.A. ROBY PARTS on your appliance. Using other differences parts can damage the appliance and cause injury.

Use of smoke detectors and carbon monoxide monitors

To provide reasonable fire prevention, the following should be given serious consideration:

1. At least one smoke detector on each floor of your home should be installed to ensure your safety. They should be located away from the heating appliance and close to the sleeping areas. Follow the smoke detector manufacturer's placement and installation instructions and be sure to maintain regularly.
2. A conveniently located Class A fire extinguisher to contend with small fires resulting from burning embers.
3. A CO detector should be installed in the room with the appliance.
4. A practiced evacuation plan, consisting of at least two escape routes.
5. A plan to deal with a chimney fire as follows:
 - a. In the event of a chimney fire:
 - b. Evacuate the house immediately
 - c. Notify fire department.

The average of the CO emission (carbon monoxide) is 68.5 g/hr. To maintain this rate, it's recommended to operate the appliance in low or medium burn rate.

The hazards with some fuels (e.g. Charcoal) and possibilities of generating carbon monoxide and the hazards from carbon monoxides.

When the smoke detector is activated is mean that the smoke spill out of the appliance. Verify the door is close and the draft in chimney is good.

Floor protection

Your stove must be installed on a non-combustible material plate to protect the floor and avoid fire which would be caused by:

- Projections of sparks when door opening or loading logs;
- The heat radiation when stove runaway should have an ignition to the floor and the coating;
- Flow of creosote when there is a chimney fire.

The coating used must be non-combustible and approved according to standard or your local codes (Example: cement, brick, ceramic tiles...)

Floor protection plate minimum dimensions

The following dimensions are the minimums values and they can be greater.

Canada:

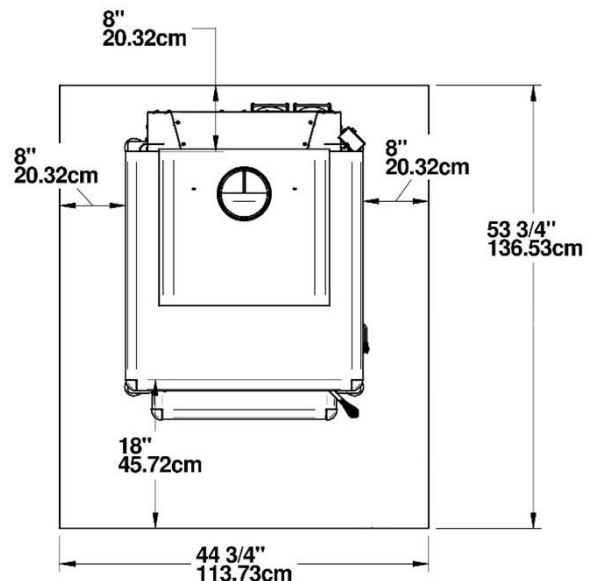
- 44 ³/₄ (113.73 cm)
- 53 ³/₄ (136.53 cm)
- 3/8 in thickness (1 cm)

Clearances chart on floor plate

The following dimensions are the minimums values and they can be greater.

Canada:

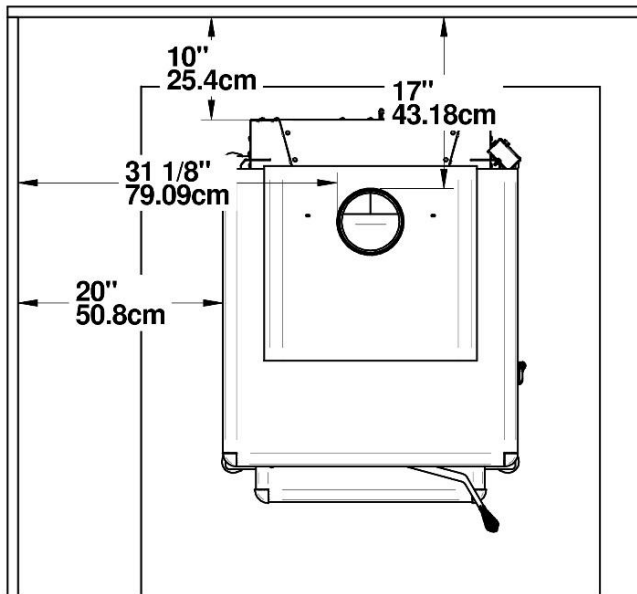
- 8 inches (20.32 cm) rear
- 8 inches (20.32 cm) side
- 18 inches (45.72 cm) loading door



Minimums clearances to combustible material

This appliance needs a minimum space because of these reduced clearances. Whether in the living room or the dining room, the stove will match perfectly by its originality and heating. It requires a minimum clearance of 10 inches at the back (for a smoke simple pipe with a heat shield) and 20 inches of lateral **MINIMUM** clearance.

Regarding reducing that dimension, you must contact your local authority to know how to install heat shield on a wall. Installation with reduced clearances must comply with standard CAN/CSA-B365.



In case of a single pipe without heat shield, you must keep your single smoke pipe 18 inches away from all combustible material so that the **MINIMUM** clearance at the back of the top stove will be 16 inches (40.6cm).

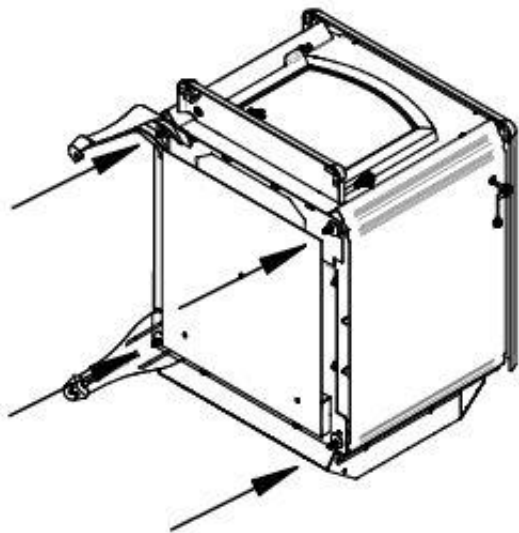
Assembly before installation

The stove leg might not be assembled in the factory, in order to save space for transportation and storage. You must therefore assemble these parts before installing the stove.

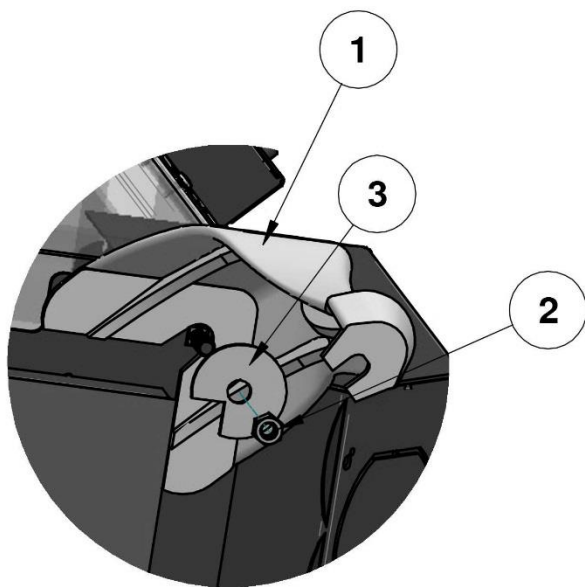
DO NOT USE THE APPLIANCE WITHOUT INSTALLING THE LEGS.

Installing legs

- 1) Take out legs and bricks from combustion chamber.
- 2) Unscrew the stove from the skids.
- 3) Lay the stove on its back carefully not to damage the paint.

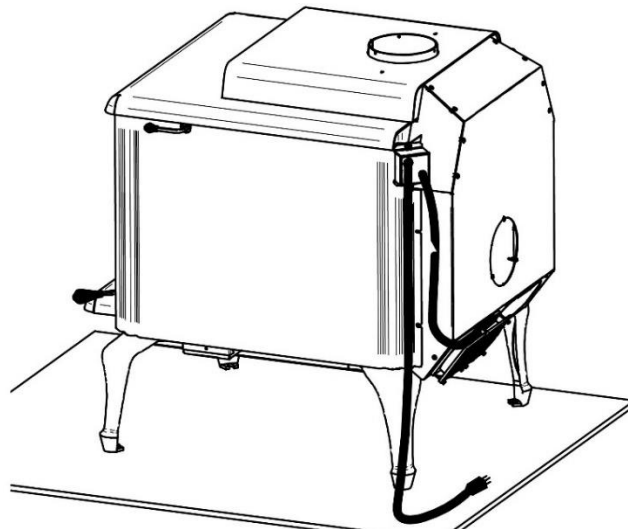


- 4) Loosen the nut (#2) without removing it completely.
- 5) Install the legs (#1) as illustrated below.
Attention: Make sure the legs are in place, correctly positioned and in contact with the bottom of the stove. The washer (#3) should also be in

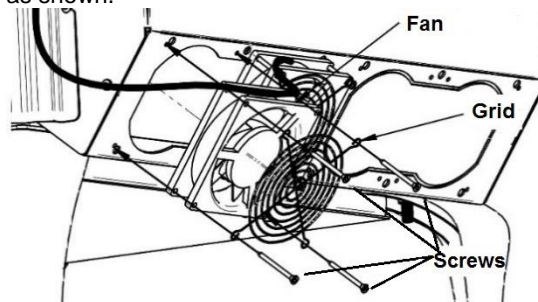


place.

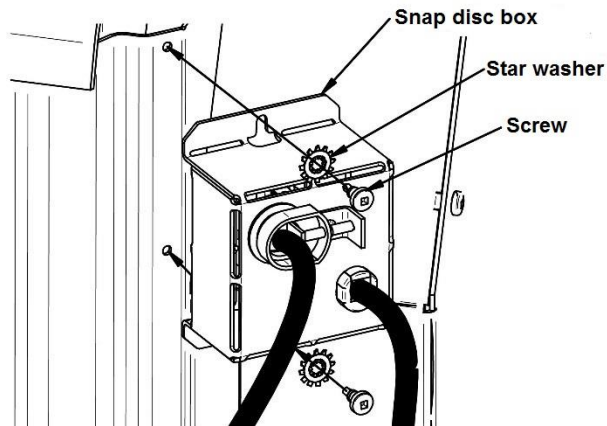
Fan and Snap disc box installation



- 1) Install the two fans at the bottom of vent box as illustrated. Please note that the cords must be placed as shown.



- 2) Screw the snap disc box into the holes made for this purpose at the back near the vent box.

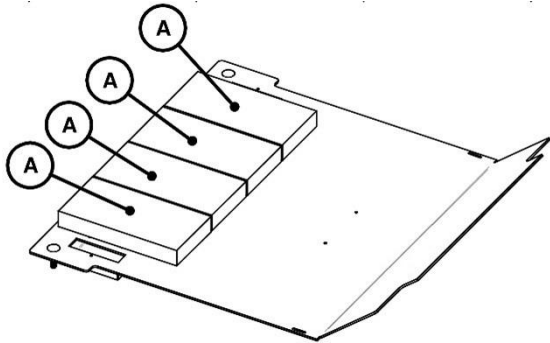


WARNING: THE POWER CORD MUST NOT BE PLACED UNDER OR IN FRONT OF THE APPLIANCE.

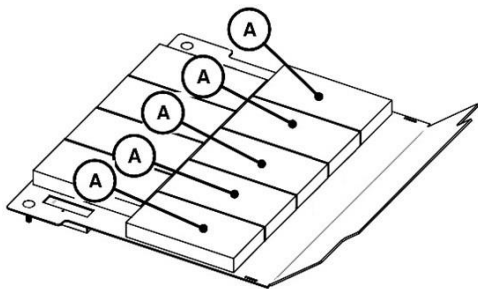
Firebricks installation

Bottom firebricks installation

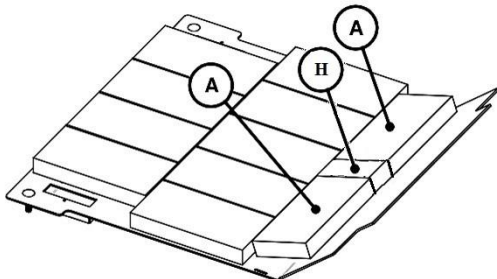
- 1) Put 4 bricks «A» in the bottom as shown in the picture below.



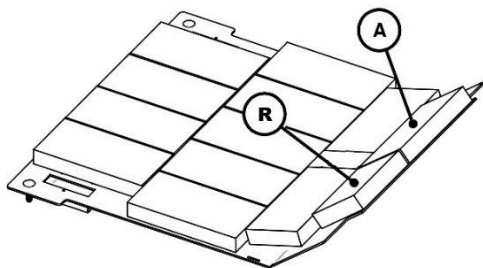
- 2) After, insert 5 bricks «A» in front of the 4 bricks previously placed.



- 3) Insert 2 brick «A» and 1 «H».

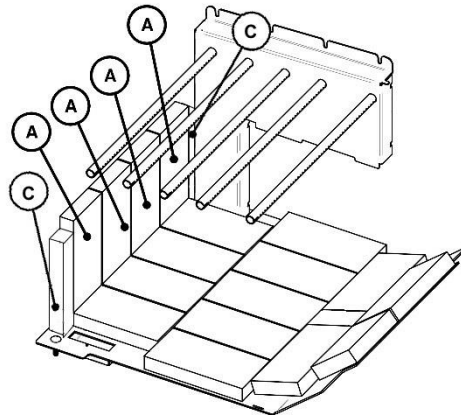


- 4) Insert brick «A» on the right and «R» on the left to finish the installation at the bottom.

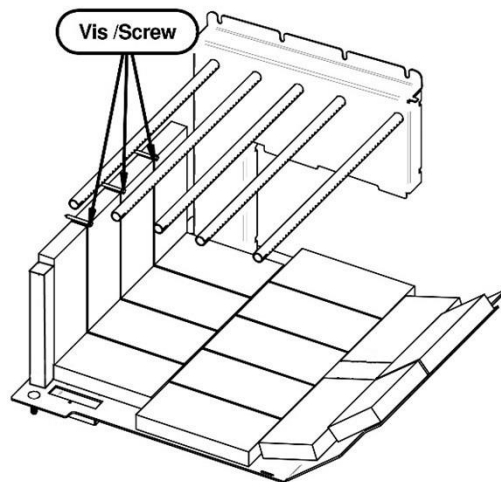


Back firebricks installation

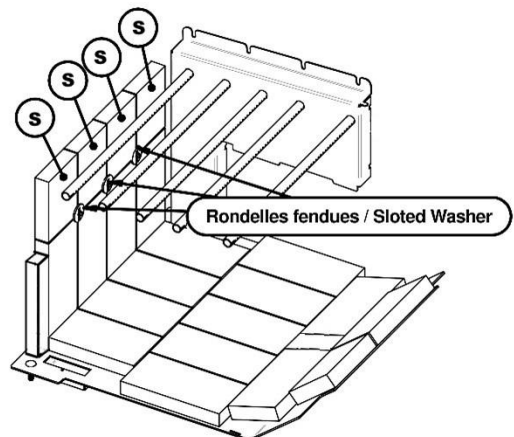
- 5) Put 4 bricks «A» and «C» against the back wall.



- 6) Put the 3 brick screws in the hole for this purpose and tighten them loosely so that split washers can be insert easily.



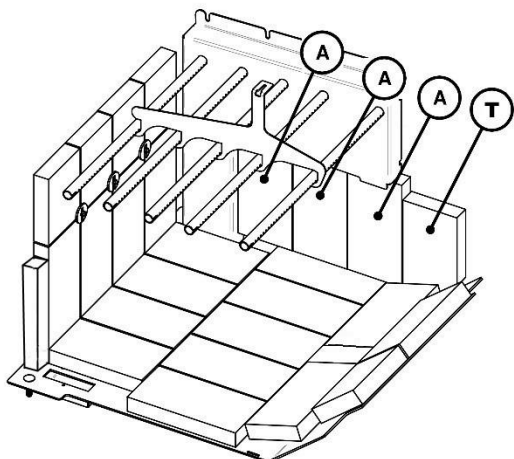
- 7) Add 4 bricks «S» horizontally on the 4 bricks «A» previously placed.



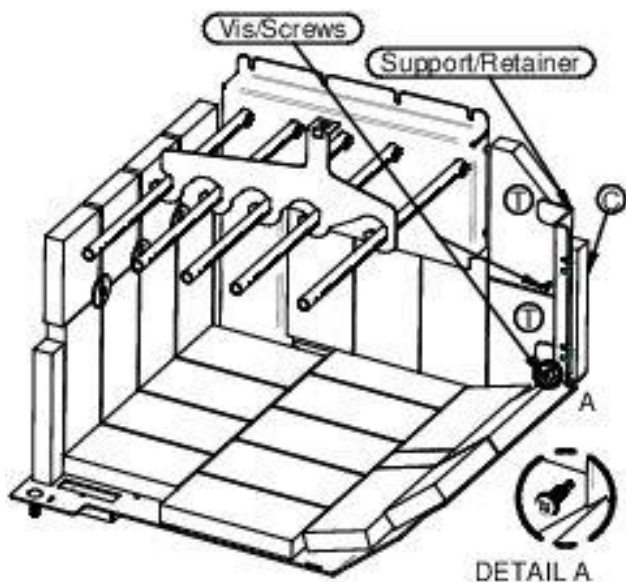
- 8) To finish, put the split washers and tighten the screws.

Side firebricks installation

- 1) Put 3 bricks «A» and 1 angled brick «T» beside the right air passage.



- 2) Put one brick «T» on the one installed at Step 1, then place 1 brick «C» beside it as shown in the illustration. Fix the Retainer with 2 screws



- 3) Repeat steps 1 and 2 to do the other side of the stove.

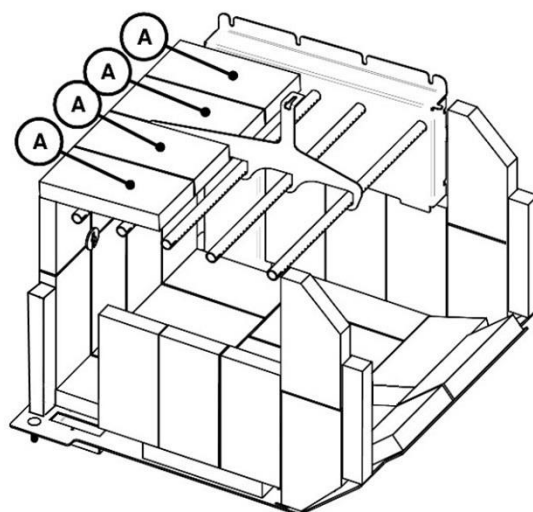
Firebricks installation on the pipes

The firebricks must be put on the 5 pipes from the back of the combustion chamber. These Bricks keep a maximum heat inside the combustion chamber to help the air supply from the pipes burn the entire gas coming out from wood.

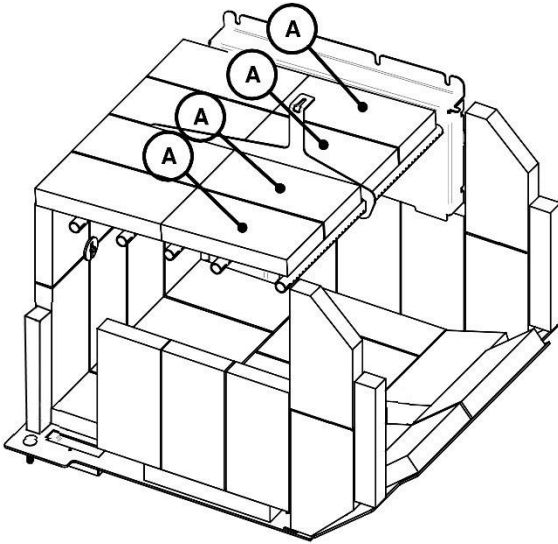
The rockwool over the bricks can reduce a considerable leakage between the bricks and also keep maximum heat inside the combustion chamber. It should cover up all the bricks and each top side of the air passage.

IMPORTANT: The rockwool must not obstruct the smoke exit. Verify from the hole of the chimney collar to make sure if it is in the right position. Then, place 2 half round stainless plates as shown in the picture.

- 1) Put 4 « A » bricks over the 2 pipes at the rear and push them against the back of the combustion chamber.

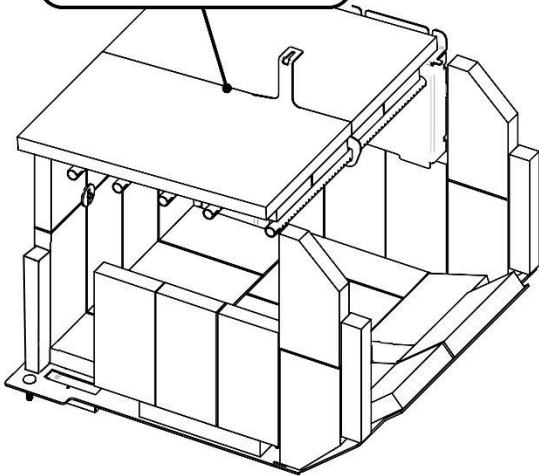


- 2) Before to put the 4 bricks « A » over the 3 front pipes as shown in the illustration, insert the rockwool on the 4 bricks previously put on the tube. Be sure to eliminate any space between the bricks previously placed at the rear.



- 3) The rockwool is over the bricks and be sure then the smoke exit way is not obstructed.

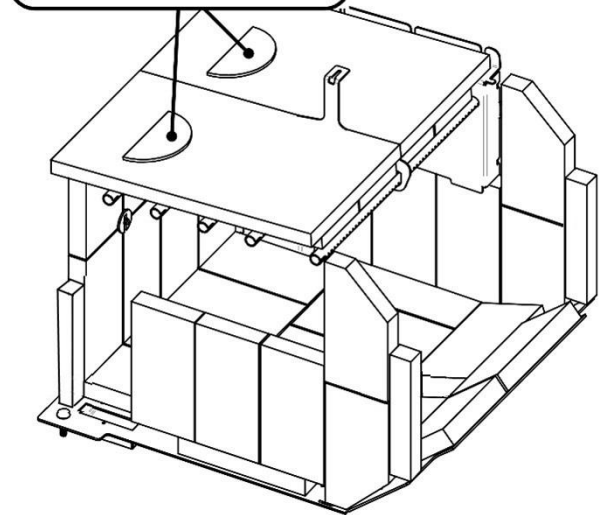
Laine de roche / Rockwool



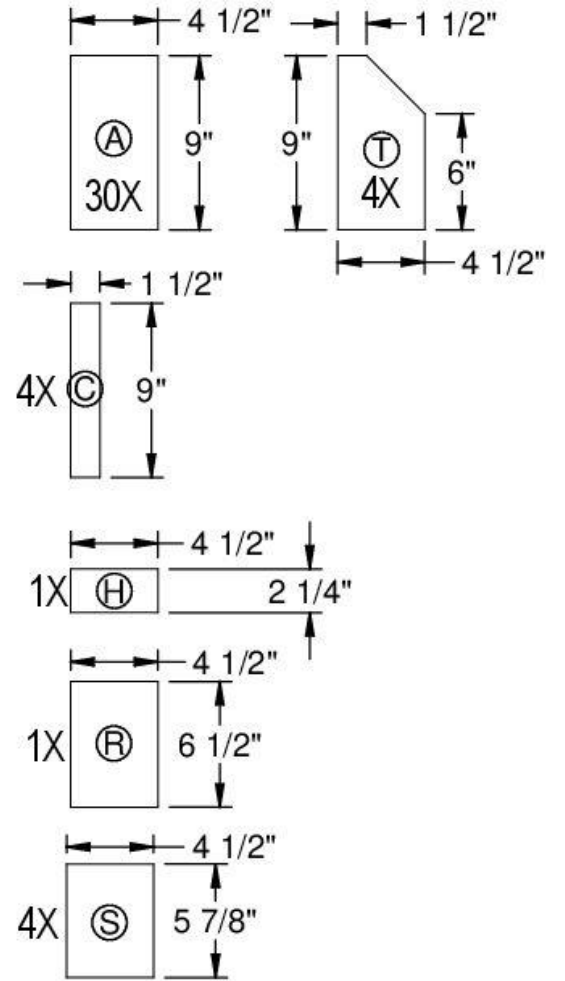
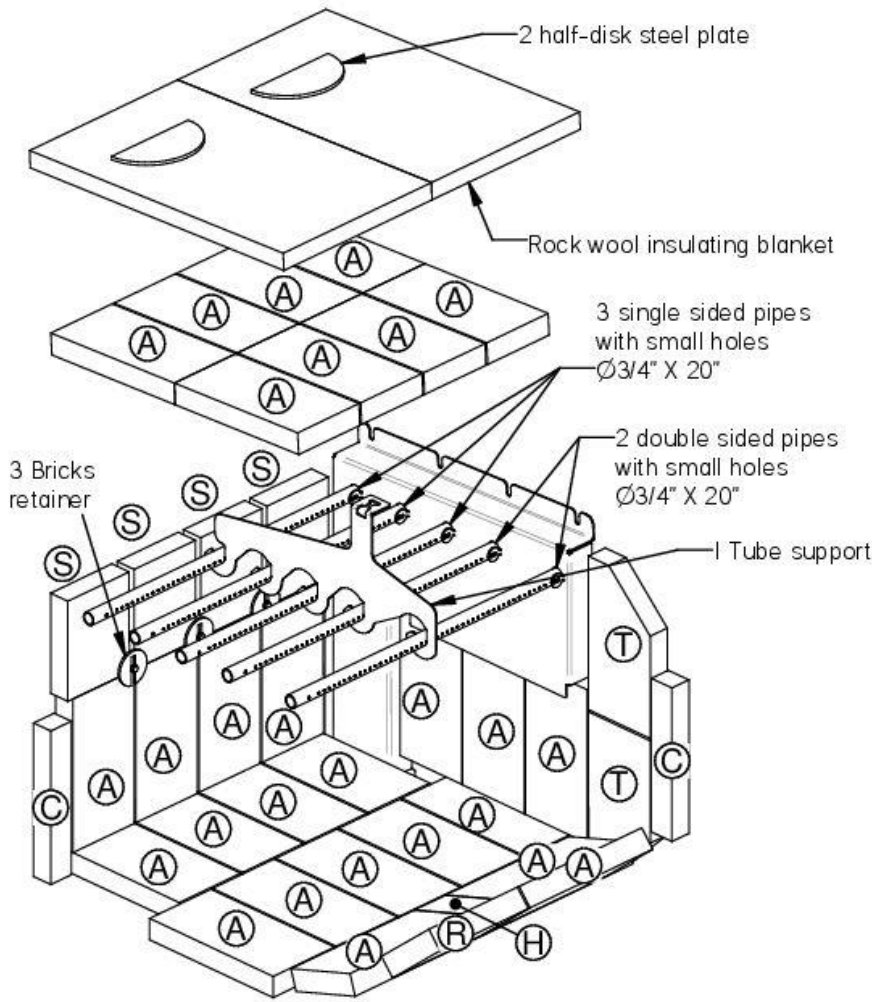
- 4) Put two half metal discs over the rockwool near the rear deflector already in place. Be sure to put it under the rear deflector to maximise the clearance between rockwool and the rear deflector. You can look from the hole of the chimney collar to be sure the rockwool is not obstructing the space.

WARNING: Obstructing smoke exit way under deflector can force smoke to exit by the door and the stove must not work properly.

Demie Rondelles / Half Disc



Firebox configuration and part list



General stove installation steps

Location considerations

We recommend installation of this appliance by a certified installer.

Consideration must be given to:

- Safety;
- Traffic flow;
- Convenience;
- Chimney and chimney connector required;
- Draft.

Drawing your installation plan on paper is a good way to avoid mistake.

THESE STOVE MODELS ARE NOT APPROVED TO INSTALL IN AN ALCOVE

Write on the plan:

- Exact dimensions for clearances to combustible material;
- Exact dimensions of the floor protection;
- Measurements of the chimney location. (If it not already installed. Be sure to have all clearances recommended by the factory-built chimney manufacturer to pass through the ceiling and roof).

We recommend that a qualified building inspector and your insurance company representative review your plan before and after installation.

General steps of installation

- 1) Read the entire installation manual before installing and using your stove.
- 2) Choose a spot where to install your stove. Read section about floor protection dimension, localisation of stove over the floor protection plate and combustible material clearance. Once you have decided where to install the stove, mark the roof at the center of chimney.
 - To be sure that the vertical center of the chimney, use a plumb line and mark the center on the floor.
- 3) Check if it possible to pass chimney without damaging the structural integrity of your house. If so, you have to move the location of the stove while keeping the minimum clearance or more to be sure. If you can't move the stove and have to cut through a beam, make sure to keep the structural integrity of your house by following state of the art and National building code.
 - We recommend installation of this appliance by a certified installer.

Note: This appliance has to be connected to 6 inches (15.24 cm) factory build chimney HT UL 103 or CAN/ULC S629 compliant or a 6 inches (15.24 cm) masonry chimney with a homologated sleeve inside. Do not install the chimney directly at the outlet of the appliance. A chimney connector (flue pipe) is required unless the appliance is specifically approved for that type of installation.

- 4) Install the chimney following the manufacturer instruction.
- 5) Put the stove directly on the floor aligned vertically with the center of chimney and trace the side of the stove on the floor and remove it.
- 6) Trace the dimension of protection plate on the floor. There must be 8 inches (20.3 cm) clearance from the side and the back of the stove. From the front of the door opening, there must be a clearance of 18 inches (45 cm). If the space heater meeting the requirement of CAN/ULC S627 is suitable for installation on a combustible floor and do not require radiant floor protection.
- 7) Install the floor protection plate inside the mark (It must be non-combustible).
- 8) Put the stove on the protection floor plate and respect the offset clearance set at step 6. Be sure to center the stove under the chimney. We recommend to fix the stove to the floor with bolt in the slot made for this purpose in the legs. In a mobile home, it is obliged to fix the stove.
- 9) If you have an outside air inlet, you must use 4 inches (10.16 cm) flexible aluminum pipe. The pipe must be sealed with thermal resistant sealant and it has an air intake with grate approved for this purpose.
- 10) Install the chimney connector on the stove. The pipe must be fixed with at least 3 screws on the stove collar, each chimney connector and the chimney collar.

Note: The single wall chimney connector must be 6 inches diameter and have a minimum thickness of 24 gauge (0.025 inches 0.64 mm). Do not use galvanised steel chimney connector.

Chimney connector installation

The chimney connector is a set of single wall or double wall flue pipes and elbow installed between the stove collar and the chimney collar. The single wall chimney connector is sold into any hardware store and are not homologated and certified. Some rules must be followed for installation and can be found in the installation codes for wood heater.

• Double wall chimney connector

The stove was designed and tested with a **single wall chimney connector with heat shield**, but it is possible to install a 6 inch (15.2 cm) double wall certified chimney connector

ATTENTION: For the clearance between combustible materials and double wall chimney connector, see manufacturer's manual.

• Single wall chimney connector

For the single wall chimney connector, you must use the single wall or double wall chimney connector and it must be 6 inches diameter and have a minimum thickness of 24 gauge (0.025 in 0.64 mm). **For the single wall section and elbow, install a metal heat shield and 1 inch (25.4 mm) offset.**

ATTENTION:

- If heat shield is not installed, you must move away the stove to keep 18 inches (45.7 cm) clearance between combustibles materials and the chimney connector.
- Any horizontal section must have a slope of 1/4 inch (6.35 mm) by feet (30 cm) toward the chimney collar. It should not exceed 36 inches (91.4 cm).
- Clearance between roof and horizontal single wall chimney connector must be 18 inches (45.7 cm) or more.
- Clearance between roof and horizontal double wall chimney connector, follow chimney connector manufacturer indication.

ALL SECTION AND ELBOW MUST BE CLEAN AND IN GOOD CONDITION AND MUST BE APPROVED FOR WOOD BURNING.

1. Chimney connector assembly installation

Make a summary installation of all sections and elbows (if necessary) to ensure that you meet the clearances and inclinations of the horizontal sections and check that you have all the necessary parts to final installation.

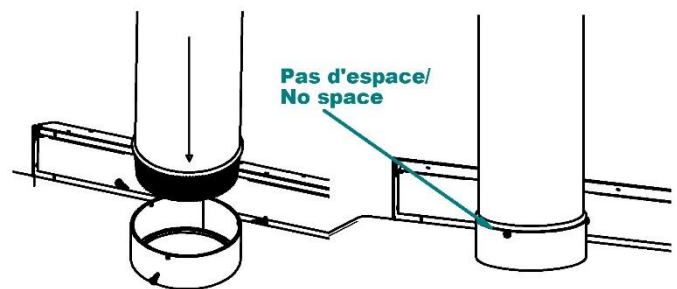
- For direct vertical installation you will need:
 - 1 adequate length of vertical section;
 - 1 adequate length of telescopic chimney connector section allowing you to connect the last chimney connector section to the roof support collar.

Note: Additional sections can be used for higher roof.

- For horizontal run installation, you will need
 - 1 adequate length of vertical section;
 - 1 x 90° elbow or 2 x 45°elbow;
 - 1 x adequate length of telescopic chimney connector section.

Note: For better performance, two 45 degrees elbows are preferable, with or without straight section in between.

2. Disassemble the whole thing and start screwing the pieces from the stove to the roof chimney collar.
3. Insert entirely the roll formed end into the stove collar and fix it with minimum 3 screws.



4. Install all the next section up to the roof chimney support and screw every chimney connector parts with 3 screws

WARNING: It's mandatory to screw all joint with a minimum of 3 screw.

5. Install all other sections and screw them all up to the chimney collar.
6. Screw the last section to the chimney collar.

DO NOT CONNECT THIS UNIT TO A CHIMNEY FLUE SERVING ANOTHER APPLIANCE.

CONNECTOR PIPES SHOULD NEVER PASS THROUGH THE CEILING, IN A WALL, IN A CLOSET, IN AN ATTIC OR OTHER ENCLOSED AREA THAT COULD CAUSE HEAT BUILDUP. IF YOU NEED TO PASS THROUGH COMBUSTIBLE MATERIAL, MAKE SURE THAT YOUR INSTALLATION COMPLIES WITH CAN / CSA-B365.

General steps of chimney installation

Use only approved chimneys of the same size as the output of the appliance, which means 6 inches in the case of this stove. The chimneys must be tested according to CAN/ULC-S629-M87 in Canada and to UL-103 (type HT) The appliance can be installed with a masonry chimney according to ULC-S635, ULC-S640 and UL-1777. The masonry chimney must be equipped with a stainless steel sleeve and meet the standards for the masonry chimney with inner sleeve.

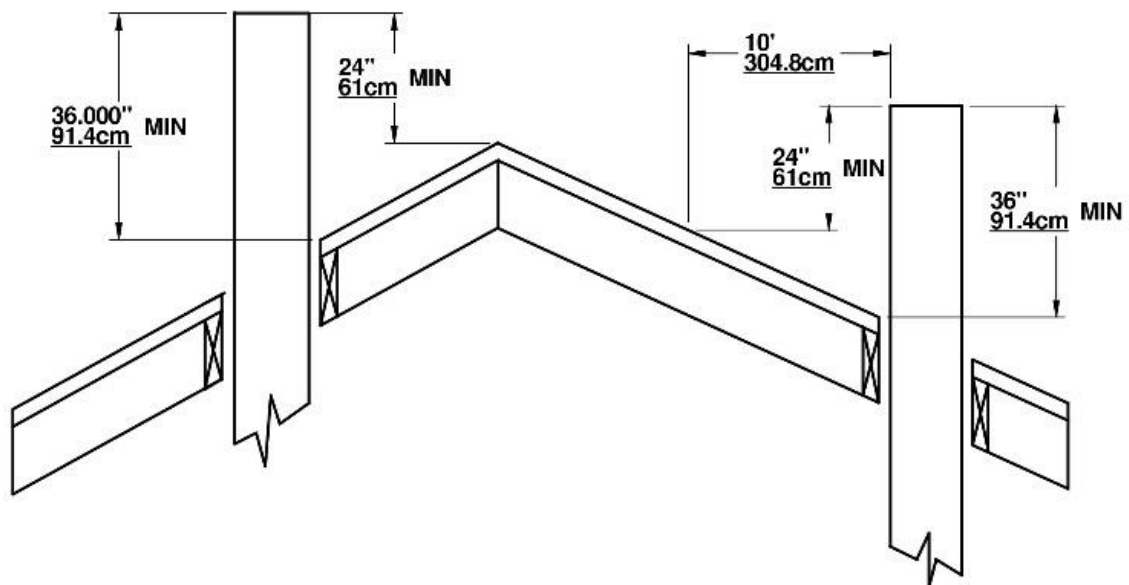
Provide a place for sweeping.

It is preferable, if possible, to avoid a chimney built outside of a house and on an exterior wall, especially in cold regions. Outside chimneys generally have a less efficient draft. They can even have down draft since it is hard to heat them enough to reach their operating temperature. Cold chimneys have tendencies of greater accumulation of creosote, less efficient draft and worse efficiency. Draft is proportional to the total chimney height as well as its temperature. It is therefore possible to get better draft by increasing the chimney's height and by reducing the heat loss with insulated lining. Make sure that all pipe joints are really airtight. A leak reduces the efficiency of the appliance and could even make its usage dangerous. Using a high temperature silicon or cement to ensure that the smoke pipe joint are airtight. If the chimney pass through the exterior wall or insulated roof be sure the hole after installation needs to be airtightness. Use sealant to make the building airtight.

Note: This is a general chimney installation method. Be sure to refer to the manufacturer's manual for more details of installation of your chimney.

- 1) Determine the total length necessary for your chimney.
- 2) Make holes into all floors and roof.
- 3) If you need to cut a joist, be sure to strengthen the adjacent joists and frame the hole respecting the minimum dimensions between combustible materials and the fireguard. Follow the manufacturer's instructions supplied with the fireguard. **Never cut a loadbearing joist/beam.**

- 4) Frame the holes in each level and attic respecting the minimum distance



recommended by the manufacturer of your chimney.
Install fireguard in each level.

- 5) Frame the hole into the roof.
- 6) Install a chimney support and a fireguard in the ceiling where cook stove is installed.
- 7) Stack the prefabricated chimney sections on the support and exceed the roof.
 - The chimney must exceed at least 3 feet (91.4 cm) from the highest point of the hole in the roof.
 - The chimney must also be at least 2 feet over the highest point on the roof inside 10 feet (304 cm) radius around the chimney.
 - The minimum length of chimney is 12 feet (365.8 cm).

ATTENTION: Make sure the chimney parts are attached properly and locked onto the chimney support.

Note: A chimney longer than the minimum required can add more draft and help the operation of the stove. Try the minimum length first then add section if you need more draft.

- 8) Put the roof flashing over the chimney and seal it with roof caulking.
- 9) Nail the roof flashing.
- 10) Slide the storm collar over the chimney and fix it. Seal it with high temperature caulking.
- 11) Lock the chimney cap and install the spark arrestor if necessary.

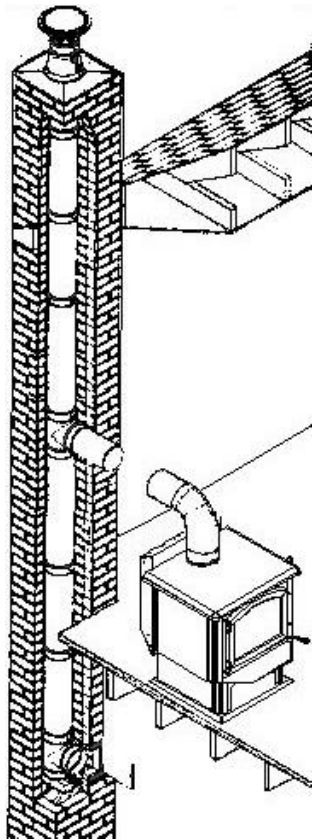
Inside Masonry Chimney, Vertical Installation

The wood burning appliance must be installed in accordance with the applicable local laws or the CAN/CSA-B365, Follow the chimney manufacturer's instructions to install the chimney.

The chimney masonry must have inside a certified metallic sleeve cover up all the chimney height. The sleeve must be at the same diameter of the flue collar. The junction between the sleeve and the chimney connector must be tight and sealed to avoid fume to go indoor.

To pass into a combustible wall between the stove and the masonry chimney, the installation method has to be safe to prevent fire. Refer to your local authority to get the latest information.

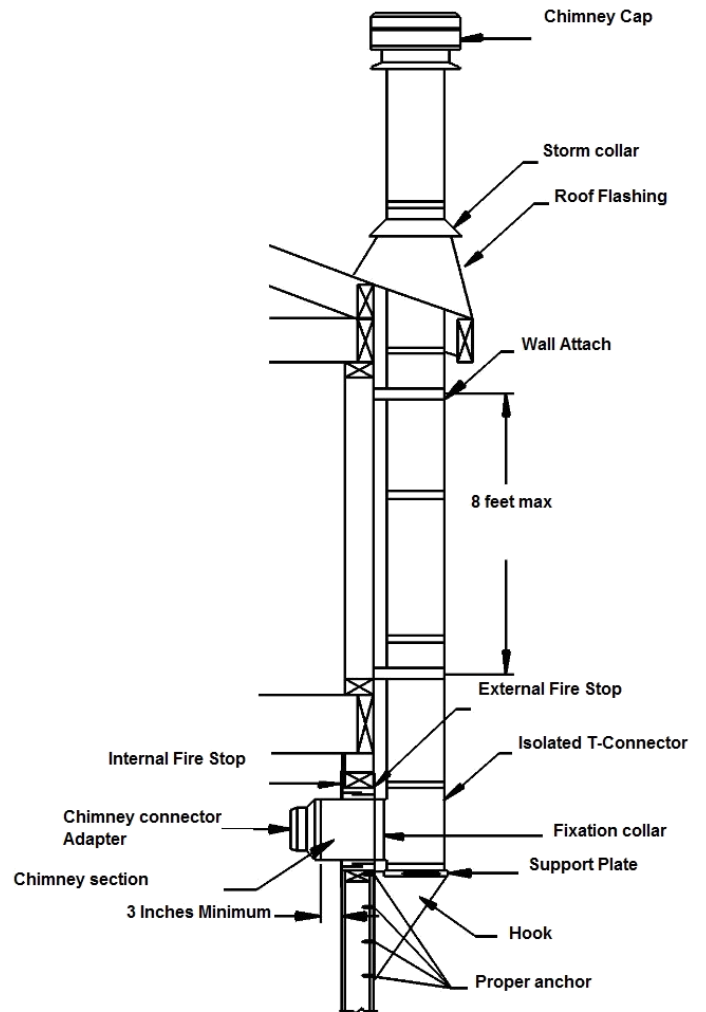
To install the stove in an abandoned masonry, the chimney must have a certified metallic sleeve cover inside up all the chimney height. The sleeve must be at the same diameter than the flue collar. The junction between sleeve and the chimney connector must be tight and sealed to avoid fume to go indoor. Don't forget to add a sweep opening.



Outside Vertical Installation

The wood burning appliance must be installed in accordance with the applicable local laws or the CAN/CSA-B365. Follow the chimney manufacturer's instructions for installation.

To pass into a combustible wall between stove and the chimney, the installation method has to be safe to prevent fire. Refer to your local authority to get the latest information.



Cathedral Vertical Installation

The wood burning appliance must be installed in accordance with the applicable local laws or the CAN/CSA-B365. Follow the chimney manufacturer's instructions to install the chimney.

Always pass chimney between joists. If you have to cut a joist, refer to the National Building code to know how to do it safely to avoid structural integrity fail. Otherwise, call a carpenter or a certified installer.

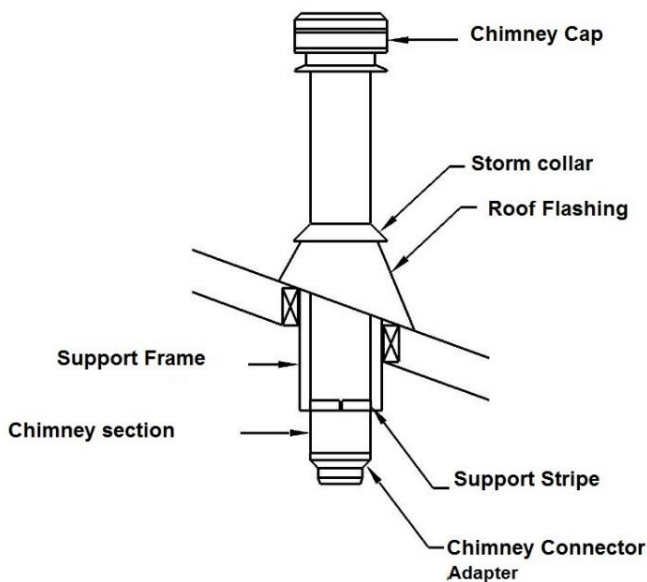
Always frame around chimney and keep minimal clearances indicated in your chimney manual.

Do not fill the gap between the framing and the chimney. Nothing must be in contact with the chimney.

Always install a fire-wall at each level, in a wall, a ceiling, a floor and an attic.

Always pass with a straight section through joists.

The chimney should be supported by the cathedral roof. Install a frame for this purpose around the opening. Weight of the chimney must not be supported by the stove.



Offset Installation

The wood burning appliance must be installed in accordance with the applicable local laws or the CAN/CSA-B365. Follow the chimney manufacturer's instructions to install the chimney.

Always pass chimney between joists. If you have to cut a joist, refer to the National Building code to know how to do it safely to avoid structural integrity fail. Otherwise, call a carpenter or a certified installer.

Always frame around chimney. Keep minimal clearances indicated in your chimney manual.

Do not fill the gap between the framing and the chimney. Nothing must be in contact with the chimney.

Always install a fire-wall at each level, in a wall, a ceiling, a floor and an attic.

A special fire stop needs to be installed into the attic. It keeps insulation distant from the chimney.

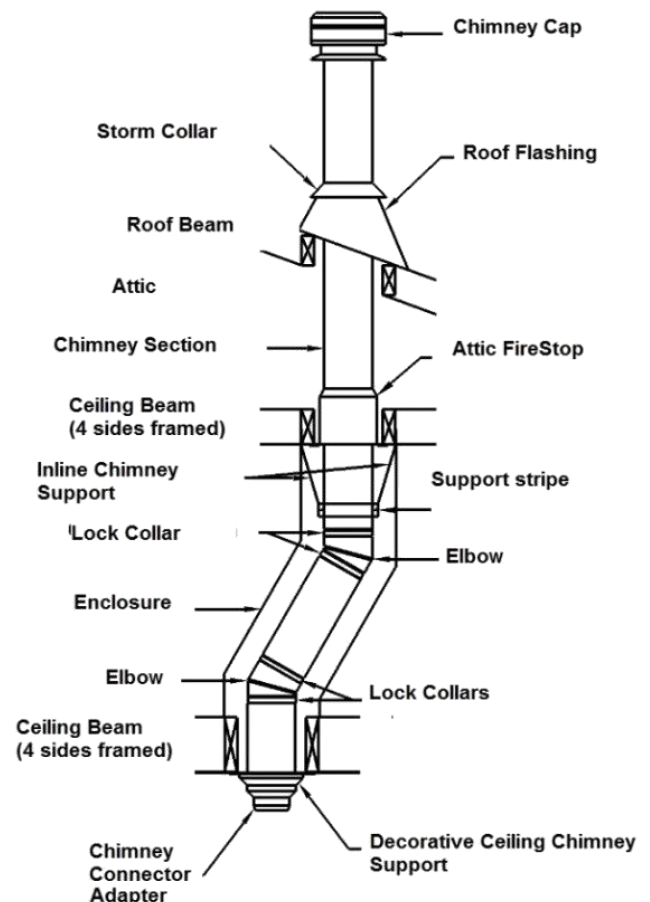
Always pass with a straight section through joists.

Chimney weight have to be support by the lowest floor with a ceiling support.

Chimney weight should never be onto the elbows. Install a support band to support the upper straight section over the elbow.

Weight of the chimney never be allow to be support by the stove.

Some restriction has to be respect regarding the maximum angle and length of the offset. Refer to the chimney manual or local building code for this restriction.



Vertical Installation

The wood burning appliance must be installed in accordance with the applicable local laws or the CAN/CSA-B365. Follow the chimney manufacturer's instructions to install the chimney.

Always pass chimney between joists. If you have to cut a joist, refer to the National Building code to know how to do it safely to avoid structural integrity fail. Otherwise, call a carpenter or a certified installer.

Always frame around chimney. Keep minimal clearances indicated in your chimney manual.

Do not fill the gap between the framing and the chimney. Nothing must be in contact with the chimney.

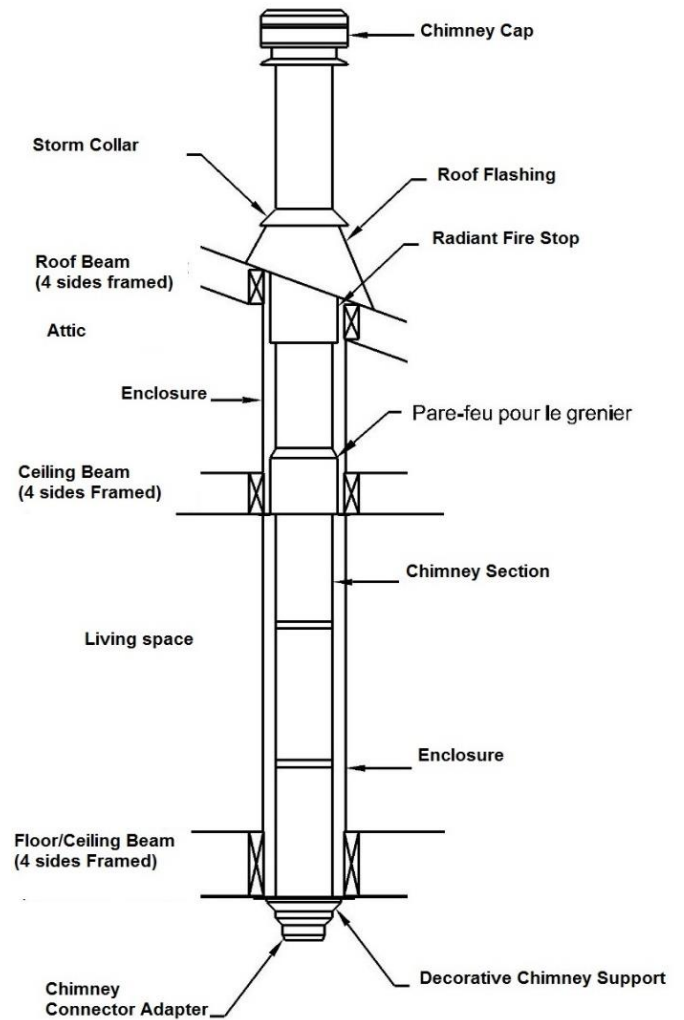
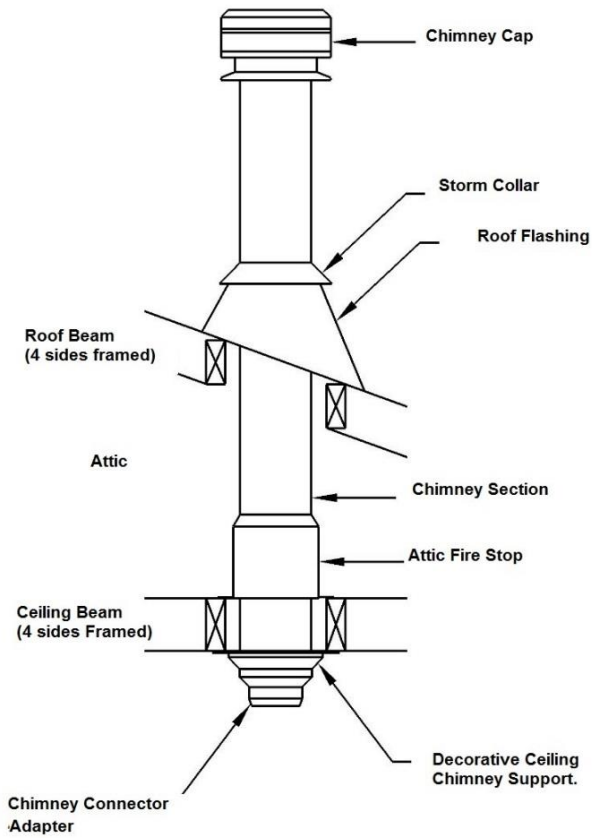
Always install a fire-wall at each level, in a wall, a ceiling, a floor and an attic.

A special fire stop needs to be installed into the attic. It keeps insulation distant from the chimney.

Always pass with a straight section through joists.

The chimney should be supported by the cathedral roof. Install a frame for this purpose around the opening.

Weight of the chimney must not be supported by the stove.



External combustion air source

In conventional designed homes, natural ventilation is enough to operate the wood stove efficiently.

In Novoclimat homes, stoves might not work properly. When some appliances are in motion, such as tumble dryer, kitchen hood or bathroom fan, the smoke might come in the house because of the depressurization which they would cause. In this case, you must install a combustion air intake system.

If there is no air intake system, we recommend you to open slightly a window of the room where the stove is situated in order to avoid a negative air pressure when an appliance mentioned above is working.

WARNING: DO NOT INSTALL THIS APPLIANCE IN MOBILE HOME.

A mobile home on a foundation is considered like a conventional house.

Air Inlet Obstruction

If the stove extinguish after closing is door, it's possible than the air inlet is obstruct by something.

After a long unused period, insects or animals can build a nest into the air inlet.

In winter, after a storm, snow can accumulate over the air inlet and obstruct it.

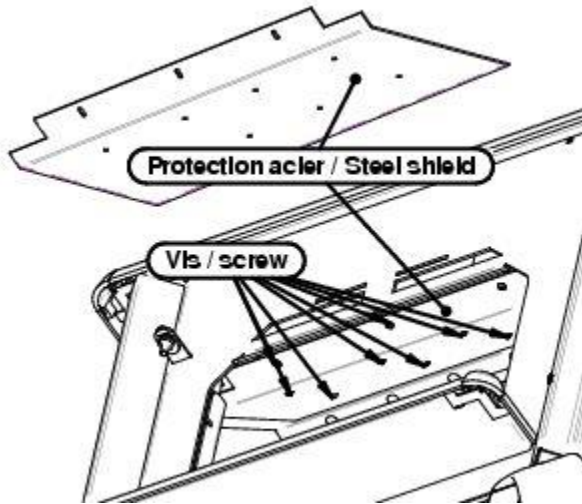
Before warming season, always inspect air inlet pipe to be sure nothing is obstructed the outside air inlet.

Part replacement

Steel deflector replacement

Internal steel deflectors are used in the combustion chamber to protect the steel deflector placed underneath from the corrosion cause by extreme temperature and conditions in the combustion chamber.

When they get worn out, you must replace them.



Front deflector replacement

The front deflector is for the protection of the primary air passage. If it gets holes, the fire might come in and damage the air passage, and it might cause the smoke to come out from the air passage. It must be therefore changed.

Before replacing the deflector, remove following items:

- Rockwool and two half round steel plates;
- 3 front tubes;
- Bricks at the front row so that you can unscrew and screw the deflector in place.

Replacement of the front deflector.

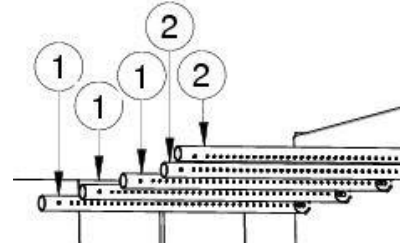
1. Remove all the screws of the front deflector and take it out.
2. Install the new deflector and screw it in place. Pay attention to put all screw.
3. Install previously disassembled tubes, rockwool and half round steel plates. Follow the instruction of the stainless steel tubes replacement section.

Stainless steel tubes replacement

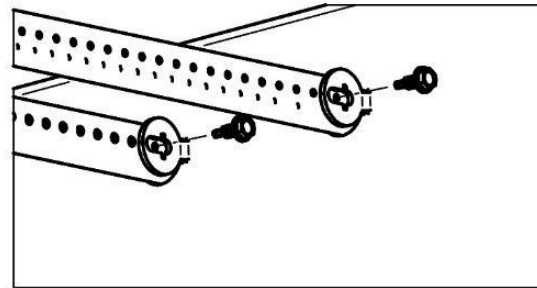
Although the tubes are in stainless steel, they will be eventually corroded and perforated by the extreme temperature and conditions. They must be replaced by a new one to ensure performance of your stove.

Stainless steel tube Installation

There are 2 types of tubes used into the stove. Three of them are single-side perforated (1) and are in the back of the heat chamber.



The 2 tubes in front of the heat chamber are double-side perforated tube (2).

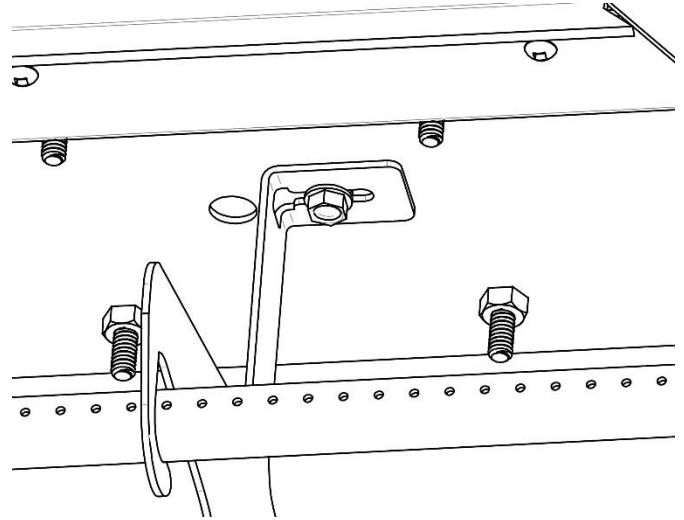
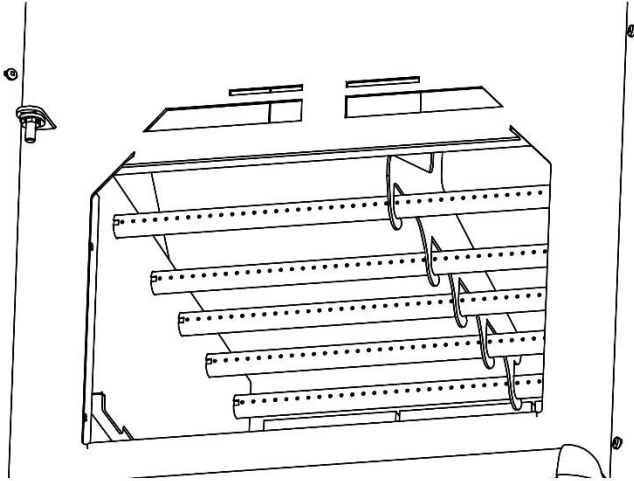


- 1) Insert the tube into the round hole in the hot air corridor. (beginning of the back of the heat chamber)
- 2) Insert the other side in the corresponding hole of the hot air corridor.
- 3) Align holes and put the screw on both sides to hold the tube.
- 4) Install the next tube.

To remove tubes, do these steps in reverse order.

Tube support installation

Put the support over the tube and fix it at the top of the combustion chamber with the screws as shown.

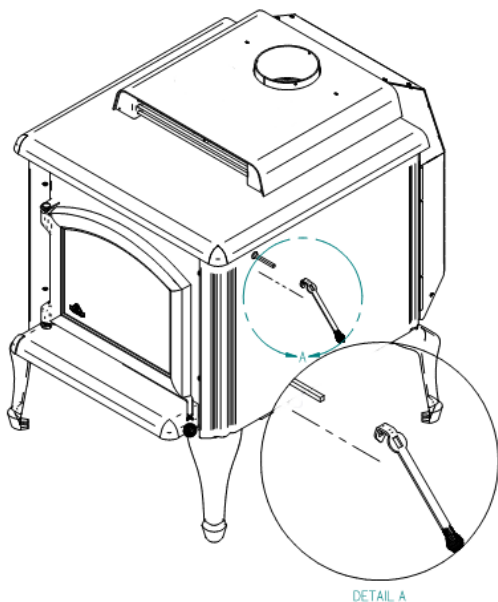


Operating Instructions

- **OPERATE ONLY WHEN DOOR IS CLOSED:** Keeping the door open might over fire and cause permanent damage to the stove or a chimney fire.
- **IT'S RECOMMENDED TO INSTALL A CO, CO2 AND SMOKE DETECTOR INTO THE SAME ROOM THAN THE STOVE.** The smoke detector might go on when there is smoke leaking out.
- **NEVER SLAP THE DOOR.**
- **NEVER BURN INFLAMMABLE LIQUID:** Inflammable liquid makes very intense heat and it is hard to control the combustion. It might cause the runaway and overheat of stove. This can consequently make permanent damage to the stove or a chimney fire.
- **ALWAYS VERIFY IF THE AIR INLET IS NOT OBSTRUCTED BEFORE LIGHTNING A FIRE.**
- **NEVER ELEVATE FIRE WITH GRATE OR ANDIRON. ALWAYS MAKE FIRE DIRECTLY IN THE HEARTH.**

Removable Handle Installation

Slide the square metal rod inside the square and rectangular orifices of the removable handle. Remove the handle after adjusting the air intake so that it doesn't get too hot. Leaving the handle in place and touching it while the stove is in function might cause burns



Primary and secondary air admission control

When the handle on the side of the stove is vertical, the air admission comes only from the tubes, this is what we call "Secondary air admission". When the handle is angled, the air admission is direct and from the air intake above the door which is called "Primary air Admission".

Warning: Operating the stove with the Primary air admission fully open for a long period of time can damage the stove.

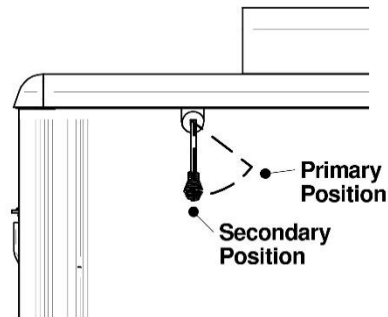
IT IS PROHIBITED TO MODIFY AIR ADMISSION TO OBTAIN A HIGH HEAT OR ANY OTHER REASONS. ANY MODIFICATION CAN AVOID GUARANTEE.

PR_I020/2023-08-11-EN

Lightning fire

After installing correctly the stove following the installation instruction of the manufacturer, you are ready to light it.

- 1) Turn the admission handle in horizontal position to set the primary air admission.
- 2) Put paper and lightning wood in the combustion chamber and light the fire in your way.



- 3) Close partially the door keeping a slight opening. When chimney have enough heat buildup, close the door completely and lock it. Wait for a good fire buildup.
- 4) Once you have an ember fire, it's time to add logs. Follow now the instruction section on how to keep a fire.
- 5) Once you have an ember fire, it's time to add logs. Follow now the instruction section on how to keep a fire.

DO NOT OVER CHARGE THE STOVE MORE THAN THE UPPER BRICK ROW.

You can control the combustion by turning up or down the handle. The wood will burn more rapidly when more primary air is set. Otherwise, the wood burn more slowly and more efficiently with the handle set to secondary air.

- **NEVER LEAVE THE STOVE UNATTENDED WHEN THE DOOR IS SLIGHTLY OPEN. ALWAYS CLOSE THE DOOR AFTER LIGHTNING.**
- **ALWAYS USE THE STOVE WITH THE DOOR CLOSED.**
- **DO NOT USE ANY CHEMICAL PRODUCT OR INFLAMMABLE LIQUID TO LIGHT OR REKINDLE THE FIRE.**
- **DO NOT BURN WASTE OR ANY OTHER INFLAMMABLE PRODUCTS AS GASOLINE, NAPHTHA OR MOTOR OIL.**
- **DO NOT MAKE FIRE TOO CLOSE TO THE GLASS.**
- **KEEP INFLAMMABLE PRODUCTS FAR FROM THE APPLIANCE.**

First fire

The first hours of operation, you must heat it gradually. In order to allow an appropriate baking of the paint and in order to facilitate its adhesion with metal, do not heat the appliance with a strong fire. It will also avoid thermal shock which could lift up the paint or make the color fade.

Make sure that the room is ventilated enough in order to eliminate the odours and the smoke coming from the paint during the first hours of usage.

Even if this nuisance is temporary, open the windows and the doors in order to ensure a good ventilation. This special paint is conceived to tolerate temperatures until 1200°F (650°C).

Keep a fire

To add firewood into the stove and keep a fire:

- 1) Turn the handle to horizontal position and wait a few second to let the fire adjusting to the new conditions.
- 2) Open the door handle to the first position and wait a few second to balance pressure to avoid fume to escape from stove.
- 3) Turn the handle completely and leave the door half open and leave the time so that the fire can adjust.
- 4) Open the door widely.
- 5) Move embers with poker near the door to oxygen it and make it burned completely.
- 5) Add firewood over the ember, keeping it away from the glass door to prevent the flame from touching the ceramic glass. **ATTENTION:**

DO NOT CHARGE THE STOVE OVER THE HEIGHT OF THE BRICKS.

DO NOT BUILD A FIRE TOO CLOSE TO THE DOOR GLASS.

YOUR APPLIANCE IS CONCEIVED FOR BURNING CORD WOOD. ANY OTHER KIND OF WOOD IS NOT RECOMMENDED.

- 7) Close the door slightly and let the wood burn.
- 8) Once the fire becomes stable, close and lock the door.
- 9) Adjust the air admission handle to desired setting.

NEVER LEAVE THE STOVE UNATTENDED WHEN THE DOOR IS SLIGHTLY OPEN. ALWAYS CLOSE THE DOOR AFTER ADDING A LOAD. *Keeping the door open is not advised. When the appliance is heated, sparks may come out of the hearth. A fire runaway may be created causing the appliance and flue pipes to overheat.*

NEVER USE ANY INFLAMABLE LIQUID TO REVIVE THE FIRE.

Fans Controls

When it's on, the fan goes off at the temperature of ventilation box getting higher than 120 Fahrenheit (49 degree Celsius).

NEVER ROUTE THE ELECTRIC WIRE OF FANS IN FRONT OR UNDER APPLIANCE.

Fuel Selection

This heater is designed to burn only firewood. Using firewood dried properly results in higher efficiencies and lower emissions of pollutant compared with using softwood or fresh wood.

Moisture Meter Information

Firewood is ready to use at 10-25% moisture content.

Fresh cut logs can have a moisture content of 80% or more, depending on species. During the drying process, wood might shrink, split, twist or change shape. In general, wood must be dried before use. Air drying, i.e. 'seasoning' is the most common method used for cordwood.

Season wood outdoors through the summer for at least 6 months before burning it. Properly seasoned wood is darker, has cracks at the ends, and sounds hollow when smacked against another piece of wood.

PR_I020/2023-08-11-EN

In most parts in the North America, the minimum moisture content that can be generally obtained in air drying is about 12 to 15 percent.

Things not to burn

"Never use gasoline, gasoline-type lantern fuel, kerosene, charcoal lighter fluid, or similar liquids to start or 'freshen up' a fire in this heater. Keep all such liquids well away from the heater while it is in use."

- Garbage;
- Lawn clippings or yard waste;
- Materials containing rubber, including tires;
- Materials containing plastic;
- Waste containing petroleum products, paints or paint thinners, or asphalt products;
- Materials containing asbestos;
- Construction or demolition debris;
- Railroad ties or pressure-treated wood;
- Manure or animal remains;
- Salt water driftwood or other previously salt water saturated materials;
- Unseasoned wood;
- Paper products, cardboard, plywood, or particleboard.

The prohibition against burning these materials does not prohibit the use of fire starters made from paper, cardboard, saw dust, wax and similar substances for the purpose of starting a fire in an affected wood heater. Burning these materials may result in release of toxic fumes or render the heater ineffective and cause smoke.

Wood storage

The cordwood must be stored in a dry place, away from rain and snow.

It should not be stored under the stove or too close to it.

If any wood is stored next to the stove, you must respect the minimum clearances to avoid self-ignition.

- 10 inches (25.4 cm) rear
- 20 inches (50.8 cm) side
- 48 inches (122 cm) loading door

Draft

Draft is the force which moves air from the appliance up through the chimney. The amount of draft in your chimney depends on its length, local geography, nearby obstructions and other factors. Too much draft may cause excessive temperatures in the appliance and may damage the appliance.

An uncontrollable burn or excessive temperature indicates excessive draft.

Insufficient draft will cause the appliance to leak smoke into the room through appliance and chimney connector joints.

Maintenance

Ash Removal

The wood burning make some residual called ash and it must be removed from the combustion chamber to help oxygen circulation.

The ash has to be removed periodically every 2 or 3 days during heavy warming period. Never have an excessive accumulation in the combustion chamber, because it can reduce performances of your stove by diminishing the air circulation between logs.

The best time to remove ash is after a long warming period like morning when the stove is relatively cold enough to manipulate the ash and the chimney is still hot. The hot chimney draft will vacuum the dust inside the stove.

To remove the ash from combustion chamber, you must have the following tools.

- Ash shovel;
- Ash brush;
- A metal bucket with airtight lid.

Some embers are mixed with ash and still lit a few hours or a few days. It's very important that the metal lid is airtight. The bucket must be put on non-combustible tiles or bricks.

Ash Disposal

Some embers are mixed with ash and still lit. If there is enough oxygen, they can still light some hours or even a few days.

It's mandatory to store ash pending disposal:

- Into a metal container with an airtight metal lid correctly closed;
- Outside the house directly on gravel, on a concrete slab, on bricks or any other non-combustible materials;
- Far enough from combustible material;
- No inflammable liquid must be in proximity.

If the ash are disposed of by burial in soil or otherwise locally dispersed, they should be retained in the closed container until all cinders have thoroughly cooled.

NEVER PUT WASTE IN THE ASH CONTAINER.

Creosote Formation

When wood is burning slowly, it produces tar and other organic vapors, which are combined with expelled moisture to form creosote. The creosote vapor condenses in the relatively cool chimney flue of a slow-burning fire. As a result, creosote residue accumulates on the flue lining. Creosote can take several forms such as tarry liquid, black soot or crystals. When it catches fire, this creosote produces an extreme heat and it might cause a chimney fire.

The chimney connector and chimney should be inspected at least once a week during the first month to determine if a creosote buildup has occurred and to see how often you have to sweep it. Warmer is your fire, less creosote buildup occurs.

Contact your local fire authority to know how to handle a chimney fire.

Chimney Inspection

Wood moisture, wood species, the combustion quality and other conditions are the factors that can influence creosote buildup speed in the chimney and the chimney connector.

The chimney and the chimney connector must be inspected at least one every two months during the warming season or more depending on your installation. You can call a Chimney sweeper to evaluate the creosote formation or you can do it yourself - extinguish the wood stove and wait until it cools down. Unscrew the flue collar and stove collar to inspect them, then verify the inside of the chimney with a spotlight to see if a creosote buildup has occurred.

For a masonry chimney, insert a mirror in the cleanout opening at the bottom. For an outdoor factory build chimney, open the cap at the bottom of chimney for cleaning. It is preferable to do the inspection during the daytime on a sunny day.

If you see 1/8 inch (3 mm) or more creosote buildup, the chimney diameter appears smaller or if you cannot see the chimney cap, it is time to sweep the chimney and the chimney connector to remove creosote.

Chimney Sweeping

Chimney Sweeping needs special tools such as fiberglass rods, an adapted diameter brush and some ropes.

Sweeping chimney also requires to climb on the roof and higher chimney section as well to remove the chimney cap, if applicable.

We recommend calling a Professional chimney Sweeper certified by APC in Quebec, the WETT in the rest of Canada.

Door maintenance

The door is the mobile element that needs a special attention. Its tightness is very important. If you see the white soot sticking on the glass, it is the sign of worn braided fiberglass rope and the air is leaking from there.

Air Tighten Adjustment

If the braided fiberglass rope still seems good enough but little flatten, it might need to be tighten on the façade of the stove.

Door adjustment (hinges side)

Important: To keep squareness of the door, keep the door locked and loosen only one hinge at a time.

- 1) Loosen lightly upper hinge.
- 2) Push the door against the stove so that the glass fibre rope is flattened.
- 3) Keeping the door pressed against the stove, tighten the upper hinge.
- 4) Loosen lightly lower hinge.
- 5) Push the door against the stove so that the glass fibre rope is flattened.
- 6) Keeping the door pressed against the stove, tighten the lower hinge.
- 7) Open the door and slide a piece of paper in the gap in the door, then close the door.
- 8) If you can easily pull out the paper without tearing, please repeat the previous steps.
- 9) Even after several attempts, if the paper comes off easily, the braided glass fiber rope must be changed.

Door adjustment (right side)

You can do this adjustment with the screw under the door near the hook hole.

- 1) Unlock and open the door.
- 2) With a square-headed screwdriver, turn clockwise the adjustment screw a quarter turn.
- 3) Put a piece of paper between the stove and braided glass fiber rope, then close and lock the door.
- 4) If the paper easily comes out when you pull it, repeat step 1 to 3 again.
- 5) If the screw is completely tightened and the paper comes out easily, you have to change the braided glass fiber rope.

Some models might have two screws apart on the front face. These must not be unscrewed in any case. They hold the rolling mechanism to lock the door.

Cleaning up glass

To clean the door glass, J.A. Roby Inc. recommends using products for this purpose or an oven cleaner only for glass part.

- Avoid cleaning hot glass and cleaning with abrasive. Cleaning hot glass can cause a thermal shock and break the glass.

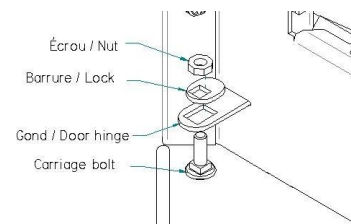
Disassembly and reassembly of door

Do not unscrew the lower hinge when disassemble the door.

- 1) Keep the door locked.
- 2) Loosen the upper hinge without removing the nut.
- 3) Unlock the door and open it while holding it.
- 4) Tilt the door slowly downward to remove the upper hinge
- 5) Lift the door and remove the lower hinge.

Installing the door :

- 1) Insert the bottom hinge and bring up the door. Place the nail in the upper hinge.
- 2) Close the door by leaning it against the facade then level the door.
- 3) Close and lock the door, then make sure the door is placed horizontally.
- 4) Tighten the upper hinge and align the washer with the hinge support.
- 5) Make sure everything is air tight



Replacing broken glass

- Do not hit the glass to avoid breaking it.
- Do not pour water. It might cause thermal shock.
- Do not slam the door.
- Do not build fire too close the door.

WARNING: NEVER USE THE STOVE WHEN THE GLASS IS BROKEN OR CRACKED

Replace only with a 4 mm ceramic glass with the right shape. Contact your retailer to get the replacement glass panel.

DO NOT USE SUBTITUTE.

How to replace glass:

- 1) Loosen partially the screws retaining the four glass supports.
- 2) Remove the broken pieces of glass and clean the door.
- 3) There must be a flat glass fibre rope for airtightness around the glass. You have to install new one in case of loss or damage. The flat glass fiber rope is self-adhesive. Stick it around the glass without pressing it excessively.
- 4) Install the new glass panel and replace the lower support first and gently tighten screw. If you tighten it too much, it might make a pressure point and break the glass when it becomes hot. Then press gently the glass fibre rope against the door.
- 5) Install the upper support and tighten the screws gently but not too tight.
- 6) Check all the screws.

If it is impossible to replace the glass in vertical position, you may have to remove the door. Refer to the section concerned in this manual.

Replacing glass fiber rope

When the braided glass fibre rope is all flattened out, it becomes impossible to close the door hermetically. This means that the glass fibre rope is no longer usable or that the rope is damaged. You must therefore replace it.

Use a ½ inch (12.7mm) braided glass fiber rope.

It is preferable to detach the door from the stove when you replace the rope. Refer to the section concerned in this manual.

Glass fiber rope preparation

- 1) Take the end of the glass fiber rope and tuck fiber inside to make a clean end.
- 2) Put little amount of high temperature sealant, such as latex or silicone, at the end of the fiber glass rope so that it won't come loose.
- 3) Remove old glass fiber rope from the door and clean the groove.
- 4) Starting from the lower corner near the hinge, put the glass fiber rope into the groove without giving any tension. Verify the length of rope.
- 5) Cut it ½ inches over the require length and repeat step 1 and 2.

Glass fiber rope installation

- 1) Put a high temperature sealant in the clean groove to glue the glass fiber rope.
- 2) Place glass fiber rope into the groove starting from the lower corner near the hinge without giving any tension
- 3) Glue the twoglass fiber rope ends with high-temperature sealant to make a right angle.
- 4) Let dry the sealant for at least 48 hours before use. Reassemble the door on the hinges if you uninstall it and readjust the airtightness.

What to do in case of Chimney Fire

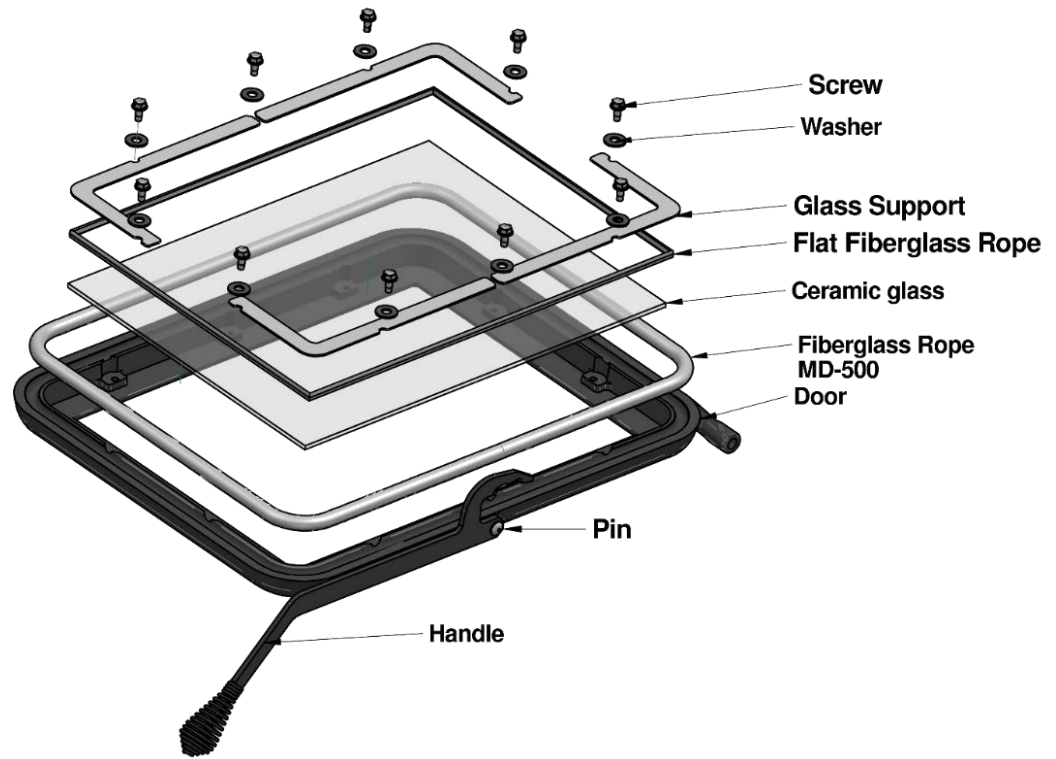
Contact your local authority to know what to do in case of Chimney fire. Keep in mind the procedure in case of chimney fire.

1. Close all the doors, the air intakes and the vent damper
2. Pour water on combustible material around stove.
3. Call the fire department and trigger alarm. Leave the house if necessary.
4. Never touch the chimney and pipes before the fire is completely extinguished.
5. Do not use the chimney before it has been inspected and repaired.

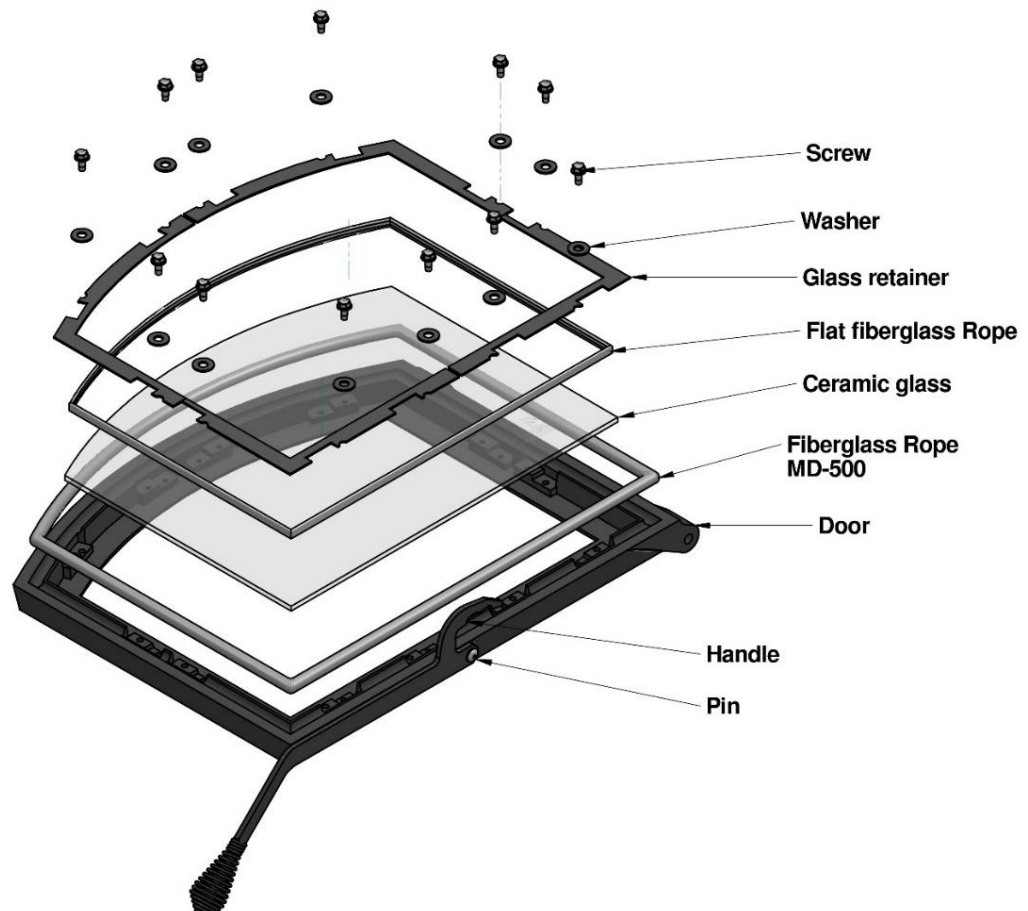
Annex 1

Door assembly

Square Door

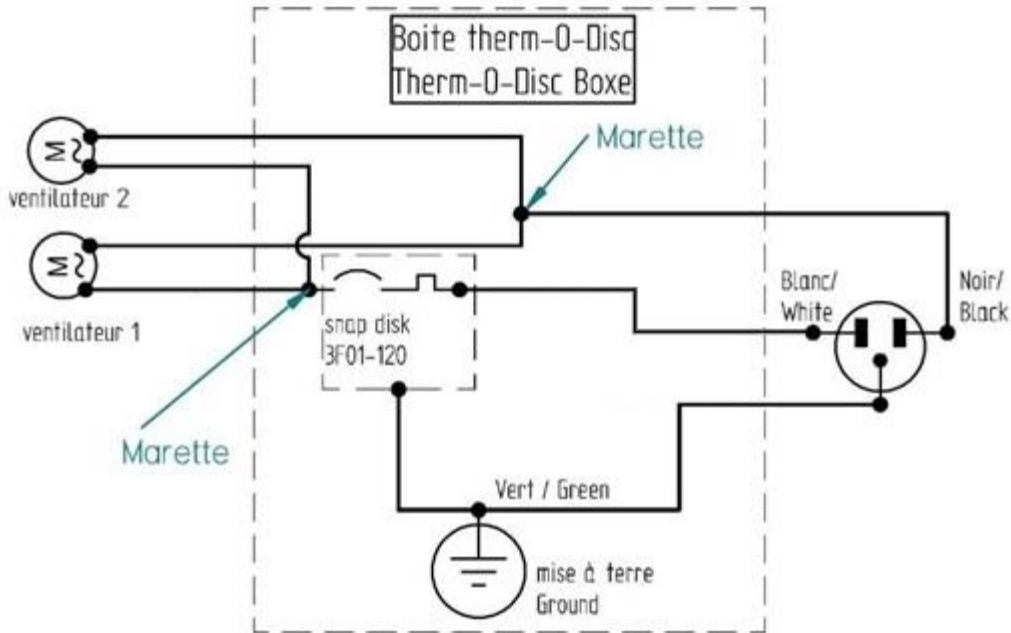


Arc Door

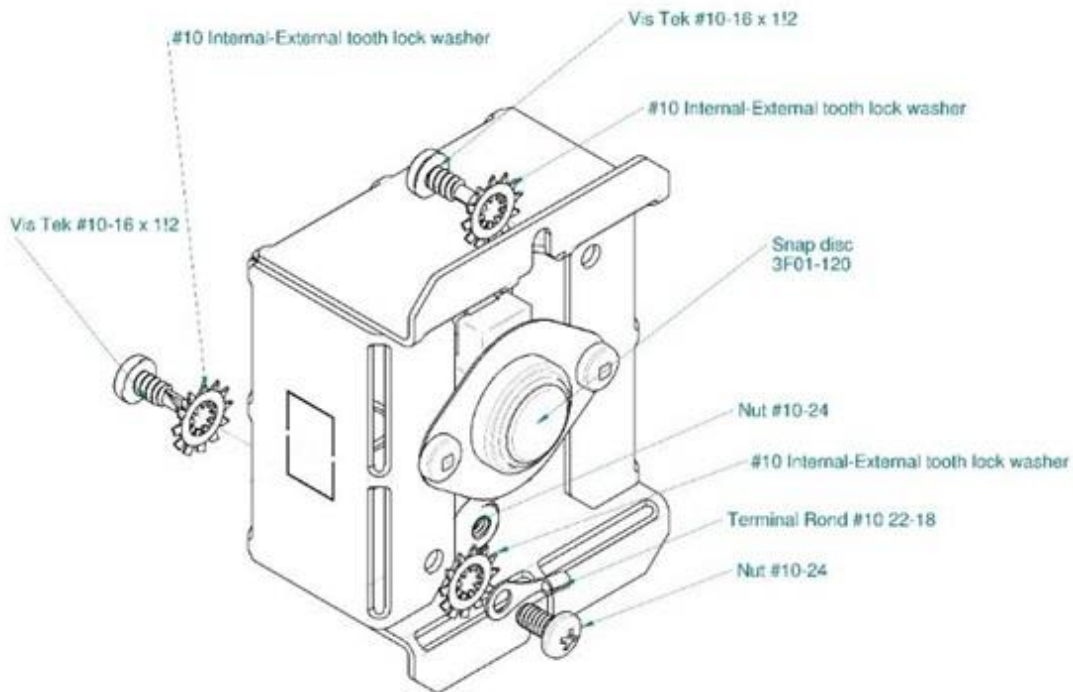


Annex 2

Circuit diagram of fan



Snap Disc Box parts description



Annex 3

Parts that can be replaced

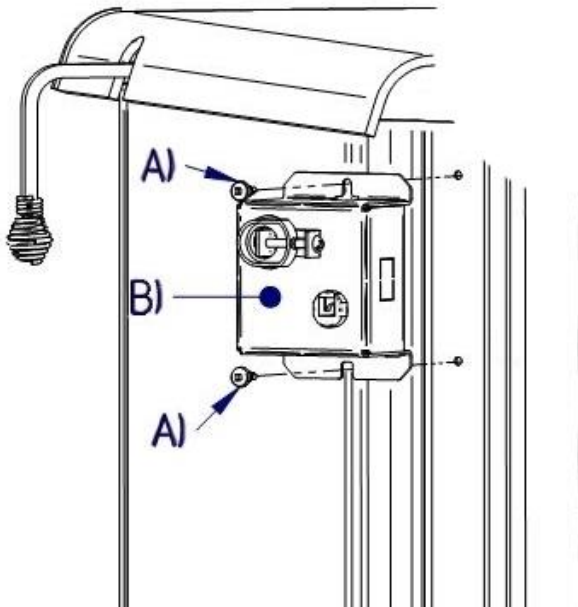
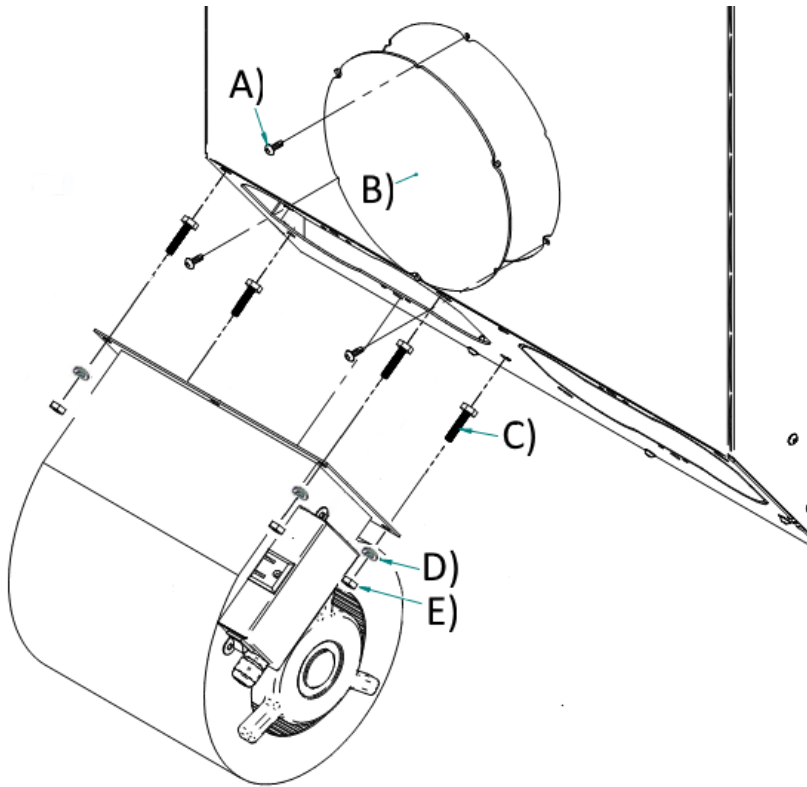
- Bricks
- Stove ceramic glass Arc
- Stove ceramic glass Rectangular
- Spring Handle
- Stove Door with handle
- Fans
- Flat fiberglass rope (around glass)
- Round fiberglass rope
- Slotted Brick Washer

To ordered parts call your stove seller representative.

Annex 4

Installation of optional fan kits

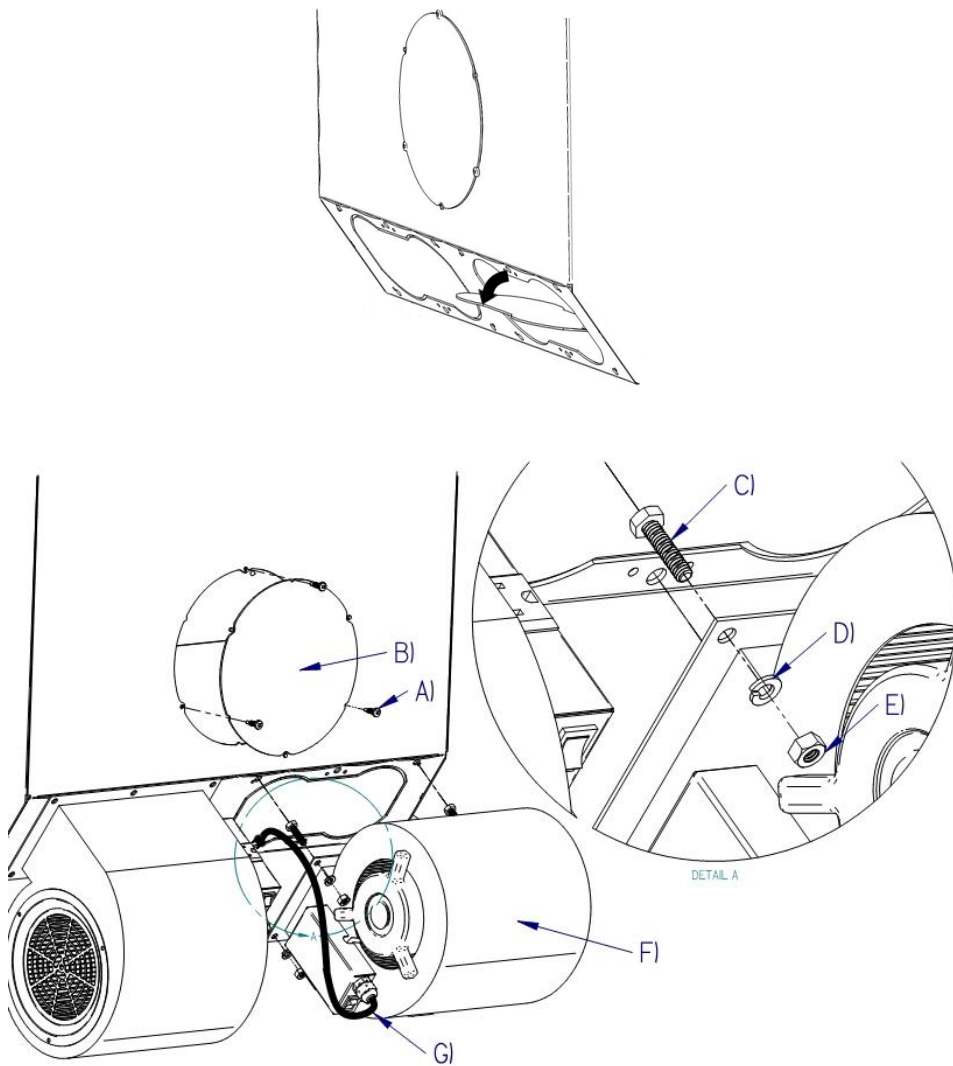
460 CFMs fan kit (part #: VENT460 TH)



Step 1 : Remove the access panel **(B)** on the back of the appliance by unscrewing / untightening the 3 screws **(A)**. Insert the 4 bolts **(C)** inside the fan housing at the designated location by passing the hand through the access opening. Take care of putting the bolt's screwing part oriented downward. Fastened the fan to the stove with the 4 lock washers **(D)** and the 4 nuts **(E)** provided with the fan kit as shown hereby.

Step 2: Install the fan kit's thermodisk junction box **(B)** by screwing it to the appliance with 2 screws **(A)** (included). The thermodisk junction box should be located on the back corner of the stove as in the hereby picture. Connect the power cable plug of the thermodisk junction box to the power supply.

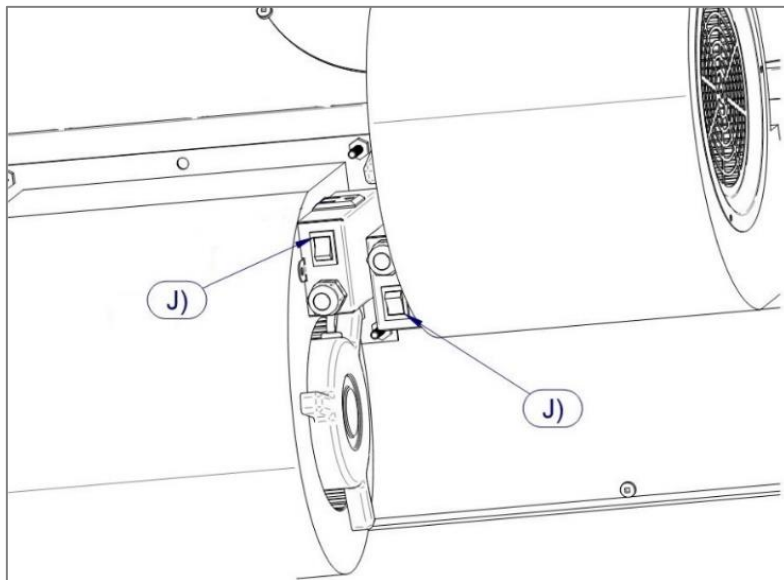
Installation of the optional 460 CFMs second blower (part #: VENT460T+)



Step 1 : Remove the bottom right plate. Push on one side of the plate to tilt it. Keep twisting the plate until it comes apart.

Step 2 : If it's not already done, remove the access panel (B) on the back of the appliance by unscrewing / untightening the 3 screws (A). Insert the 4 bolts (C) with their screwing part oriented downward at the designated location in the adjacent picture. Put them inside the fan housing by passing the hand through the access opening. Put the second blower in the opposite orientation compared to the first blower. Screw the fan to the stove with the 4 lock washers (D) and the 4 nuts (E) provided with the fan kit. Connect the power supply of the second blower to the electric outlet of the first blower (G). Put back the access hatch (B) in place.

Adjustment of the fan speed



It is possible to change the speed of the blower(s) in between the high and the low speed. The position of the switch(es) as shown in the adjacent picture (J) should correspond to the low speed configuration.

Note: There is no off position on the switch(es).



STOVES & FIREPLACES



J. A. Roby Limited Lifetime warranty

WOOD BURNING STOVES & FIREPLACES

J. A. ROBY's warranty only applies to original buyer and is non-transferable. This warranty covers brand new products only, which have not been altered, modified or repaired since shipment from factory. The products covered by this warranty must be manufactured after review date indicated at the bottom of page. Proof of purchase (dated bill of sale), model name and serial number must be supplied when making any warranty claim to J. A. ROBY. Registered your warranty is not required.

The appliance must be installed by an authorized service technician or contractor. Installation must be done in accordance with the installation instructions included with the product and all local and national building and fire codes. Any service call related to an improper installation is not covered by this warranty. This warranty applies to normal residential use only. This limited warranty does not cover damages caused by misuse, improper installation, lack of maintenance, accident during transportation, alterations, power failure, venting problems, downdrafts, abuse, over firing or neglect. Operating the appliance on high for extended periods of time is neglect. Any defect or damage caused by the use of unauthorized parts or others than original parts void this warranty.

This limited warranty does not cover any scratch, corrosion, warping or discoloration. The manufacturer may require that defective products be returned and/or that digital pictures be provided to support the claim. Returned products are to be shipped prepaid to the manufacturer for investigation. If a product is found to be defective, the manufacturer will repair or replace such defect. The transportation fees to ship back the product to the purchaser will be paid by the manufacturer². The external labor fees related to warranty repair are not covered. The manufacturer may at its discretion, decide to repair or replace any part or unit after inspection and investigation of the defect. The manufacturer may at its discretion, fully discharge all obligations with respect to this warranty by refunding to the original warranted purchaser the wholesale price of any warranted but defective part (s). The manufacturer shall not in no event be liable for any special, indirect or consequential damages of any nature whatsoever which exceeds the original purchase price of the product. All parts replaced under this limited lifetime warranty are subject to a single claim.

Any damage to the appliance, combustion chamber, heat exchanger, enameled cast iron cooking plate or other components due to water, weather damage, long periods of dampness, condensation, damaging chemical or cleaner will not be the responsibility of J. A. ROBY. Failure of any components which is attributed to poor maintenance including **seal gasket**, is not warrantable and will not be covered by this policy. J.A. ROBY neither assumes, nor authorizes any third party to assume, on its behalf, any other liabilities with respect to the sale of this product.

The manufacture of your new appliance and the following materials are warranted against defects as mentioned below:

WARRANTY DESCRIPTION	100%	50% current retail price
Ashtray, handles, doors and cast iron legs	Life	
Combustion chamber	5 years	From 5 years to life
Secondary air tubes	5 years	
Heat exchanger	2 years	From 2 years to life
Switches, thermodisc, wiring and electrical components, standard blowers and rheostat	2 years	
Tempered glass, optional blower and gasketing	1 year	
Ceramic glass (thermal breakage only ¹)	1 year	
Replacement parts (with proof of purchase)	90 days	

Due to on-going product improvements, all specifications and design are subject to change without prior notice.

Before shipping your unit or defective component to our plant, you must obtain from J. A. ROBY an authorization number. Any merchandise shipped to our plant without authorization will be refused automatically and returned to sender.

1= Digital pictures required 2= Shipping cost are not covered outside CANADA

Review August 2018

490, rue de L'Argon, Québec, (Qué.), G2N 2C9
Tél.: (418) 849-8095 Fax.: (418) 849-0077 Internet.: www.jaroby.com