



Warmth from the heart of J.A.ROBY INC.

PLEASE READ CAREFULLY AND KEEP  
THIS MANUAL FOR FUTURE REFERENCE

# Instruction Manual

## ULTIMATE 2015



**NATIONAL  
FIREPLACE  
INSTITUTE**  
**NFI**  
**CERTIFIED**  
[www.nficertified.org](http://www.nficertified.org)

We recommend that our woodburning hearth products be installed and serviced by professionals who are certified in the U.S. by the National Fireplace Institute® (NFI) as NFI Woodburning Specialists or who are certified in Canada by Wood Energy Technical Training (WETT).

**Wood Energy  
Technical Training**  
[www.wettinc.ca](http://www.wettinc.ca)



**Intertek**

Certified and tested according to  
CAN/ULC S627-00  
UL 1482-2011  
CAN/CSA STD B415.1-10

---

490, rue de l'Argon  
Québec, CANADA G2N 2C9  
Tél.: 418-849-8095 Fax : 418-849-0077  
[www.jaroby.com](http://www.jaroby.com)

# Table of Content

Introduction.....	3	Lightning fire .....	23
Warning .....	3	First fire .....	23
Rating plate .....	4	Keep a fire.....	24
Appliance Dimension .....	5	Fans Controls.....	24
Specifications .....	6	Wood storage.....	24
Clearances to combustible material .....	6	Maintenance.....	25
Installation .....	7	Ash Removal.....	25
Floor protection.....	7	Ash Disposal .....	25
Floor protection plate minimum dimensions .....	7	Creosote Formation .....	25
Clearances chart on floor plate.....	7	Chimney Inspection .....	25
Minimums clearances to combustible material .....	8	Chimney Sweeping.....	25
Assembly before installation.....	9	Door care .....	26
Installing legs .....	9	Air Tighten Adjustment .....	26
Fan and Snap disc box installation.....	9	Door adjustment (hinges side).....	26
Firebricks installation .....	10	Door adjustment (right side).....	26
Bottom firebricks installation .....	10	Cleaning up glass.....	26
Back firebricks installation .....	10	Disassembly and reassembly of door.....	26
Side firebricks installation .....	11	Replacing broken glass.....	26
Firebricks installation on the pipes .....	11	Replacing glass fiber rope .....	27
Firebox configuration and part list .....	13	Glass fiber rope preparation .....	27
General stove installation steps.....	14	Glass fiber rope installation.....	27
Chimney connector installation.....	15	What to do in case of Chimney Fire .....	27
General steps of chimney installation.....	16	Annex 1 .....	28
Inside Masonry Chimney, Vertical Installation..	17	Door assembly .....	28
Outside Vertical Installation .....	17	Square Door.....	28
Cathedral Vertical Installation.....	18	Arc Door .....	28
Offset Installation .....	18	Annex 2 .....	29
Vertical Installation.....	19	Circuit diagram of fan.....	29
External combustion air source.....	20	Snap Disc Box parts description.....	29
Air Inlet Obstruction .....	20	Annex 3 .....	30
Steel deflector replacement.....	21	Parts that can be replaced.....	30
Front deflector replacement.....	21	Annex 4 .....	31
Stainless steel tubes replacement.....	21	Installation of optional fan kits .....	31
Stainless steel tube Installation .....	21	460 CFMs fan kit (part #: VENT460 TH).....	31
Tube support installation .....	22	Installation of the optional 460 CFMs second blower (part #: VENT460T+).....	32
Operating Instructions.....	23	Adjustment of the fan speed.....	32
Removable Handle Installation.....	23	J. A. Roby Limited Lifetime warranty.....	33
Primary and secondary air admission control .....	23		

## Introduction

Read all instructions carefully before installing your new appliance. A proper installation is very important for a safe and effective use of your stove. If you have any doubts about the installation of your appliance correctly, we suggest to call a professional installer. A wrong installation may result in a fire, injury or loss of life.

Keep these instructions for future use.

This appliance must be connected to:

- A type HT chimney of 6 inch diameter (15.24 cm) listed to UL-103 or ULC-S629;
- A conforming masonry chimney of 6 inch diameter (15.24cm) with qualified internal lining.

## Warning

N.B: PLEASE BE AWARE THAT THE LOCAL CODES AND REGULATIONS MIGHT BE MORE SPECIFIC THAN THIS MANUAL. YOU CAN CONSULT A PROFESSIONAL INSTALLER, THE FIRE DEPARTMENT OR LOCAL AUTHORITIES ABOUT RESTRICTION ON INSTALLATION OF SOLID-FUEL BURNING APPLIANCES.

DO NOT CONNECT THIS APPLIANCE TO A CHIMNEY FLUE SERVING ANOTHER APPLIANCE.

DO NOT CONNECT TO OR USE IN CONJUNCTION WITH ANY AIR DISTRIBUTION DUCTWORK UNLESS SPECIFICALLY APPROVED FOR SUCH INSTALLATIONS.

THIS APPLIANCE IS BUILT FOR BURNING FIREWOOD ONLY.


USE OF ANY OTHER TYPE OF FUEL SUCH AS COAL, CONSTRUCTION WOOD, TREATED WOOD, FLAMMABLE LIQUID, WASTE OR ANY FLAMMABLE THING CAN CAUSE OVERHEATING AND DAMAGE THE STOVE.

# Rating plate



**Intertek**  
W/N 17126

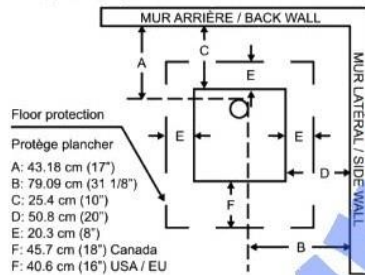
NE PAS ENLEVER CETTE ÉTIQUETTE DO NOT REMOVE THIS LABEL  
POÊLE À COMBUSTIBLES SOLIDES HOMOLOGUÉ / LISTED SOLID FUEL BURNING SPACE HEATER  
Ce poêle doit être installé sur une cheminée homologuée de type UL-103 HT ou ULC-S627-00  
ou une cheminée de maçonnerie avec un revêtement homologué de 6 pouces (15.24 cm)  
This stove must be installed on a certified chimney type UL-103 HT or ULC-S627-00 or a code approved  
masonry chimney with a 6 inches (15.24 cm) flue liner.

FABRIQUÉ AU CANADA  
PAR:  
MADE IN CANADA BY:   
Au coeur de la chaleur  
Warmth from the hearth of J.A. Roby Inc.  
490 rue de l'Argon, Québec, Canada, G2N 2C9

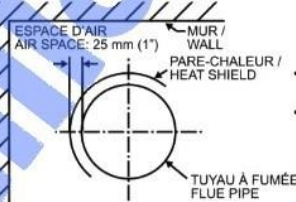
MODÈLES / MODELS:  
■ ULTIMATE 2015 ■ MAGNUM ■ MASTER  
CERTIFIÉ SELON LA NORME  
ENVIRONNEMENTALE: CSA B415.1-10  
ENVIRONMENTAL CERTIFIED TO: (MARS / MARCH 2015)  
MIS À L'ÉPREUVE SELON: ULC-S627-00  
CONFORMS TO: UL 1482-2011

## WH-

- Installer et utiliser seulement conformément aux instructions du manuel d'installation et d'utilisation du fabricant.
- Renseignez-vous auprès des responsables locaux de la construction et de la prévention des incendies au sujet des restrictions et inspections des installations dans votre région.
- Install and use only in accordance with manufacturer's Installation and Operating Instructions, Contact local building or fire officials about restrictions and installation inspection in your area.
- Dégagements minimaux aux matériaux combustibles (mesuré à partir du dessus du poêle) avec tuyau à parois simple et pare-chaleur\*
- Minimum clearances to combustible materials (measured from stove top) with single wall connector and heat shield\*.



L'EFFICACITÉ INDICUÉE EST FONDÉE SUR LA VALEUR SUPÉRIEURE DE CHAUFFAGE DU CARBURANT.  
TAUX D'ÉMISSION 2.4 gr/h  
EFFICACITÉ MOYENNE: 71.6%  
PUISSANCE DE CHAUFFAGE MINIMALE: 17 666 btu/h  
PUISSANCE DE CHAUFFAGE MAXIMALE: 44 750 btu/h  
CONSOMMATION ÉLECTRIQUE MOYENNE: 0.03W  
THE STATED EFFICIENCY IS BASED ON THE HIGHER HEATING VALUE OF THE FUEL.  
EMISSION RATE: 2.4 gr/h  
AVERAGE EFFICIENCY 71.6%  
MINIMUM HEAT OUTPUT: 17 666 btu/h  
MAXIMUM HEAT OUTPUT: 44 750 btu/h  
AVERAGE ELECTRIC CONSUMPTION 0.03W



- Tuyau à parois simple et pare-chaleur\*
- Single wall connector and heat shield\*

- VENTILATEUR / BLOWER: 120V / 60Hz / 0.8 Amp.  
Utilisez seulement / Use only: J.A. Roby Part Kit# (Vent)
- Pour plus de sécurité, observer les directives du fabricant pour l'installation et l'utilisation du poêle.
  - Cet appareil doit être installé sur les pattes incluses selon les directives du manuel d'installation.
  - Cette unité doit être installée sur un protège plancher incombustible de 10mm (3/8") dimensionné selon le dessin ci-haut.
  - Ne pas surchauffer, si le poêle ou le collet de la cheminée deviennent rouge, le poêle surchauffe.
  - Ne pas brancher cet appareil sur une cheminée servant à un autre appareil.
  - Inspecter et nettoyer la cheminée fréquemment. Sous certaines conditions d'opération, le créosote peut s'accumuler rapidement.
  - Ne rien entreposer sous le poêle.
  - Ne pas utiliser de chenets ou de grilles pour élever le feu.
  - Préparer le feu directement sur l'âtre.
  - Ne remplacer la vitre que par un verre de céramique de 5mm d'épaisseur.
  - Pour une utilisation avec du bois de chauffage seulement.
  - Brûler avec la porte fermée.
  - DANGER: Risque de choc électrique. Avant l'entretien, débrancher l'appareil. Ne placez pas le cordon d'alimentation en face ou en dessous de l'appareil.
  - ATTENTION: Les pièces mobiles peuvent causer des blessures. Ne pas opérer l'appareil avec l'accès au ventilateur ouvert.
  - Pour passer la cheminée à travers un mur ou un plafond combustible, lire le manuel d'instruction et le code du bâtiment local.

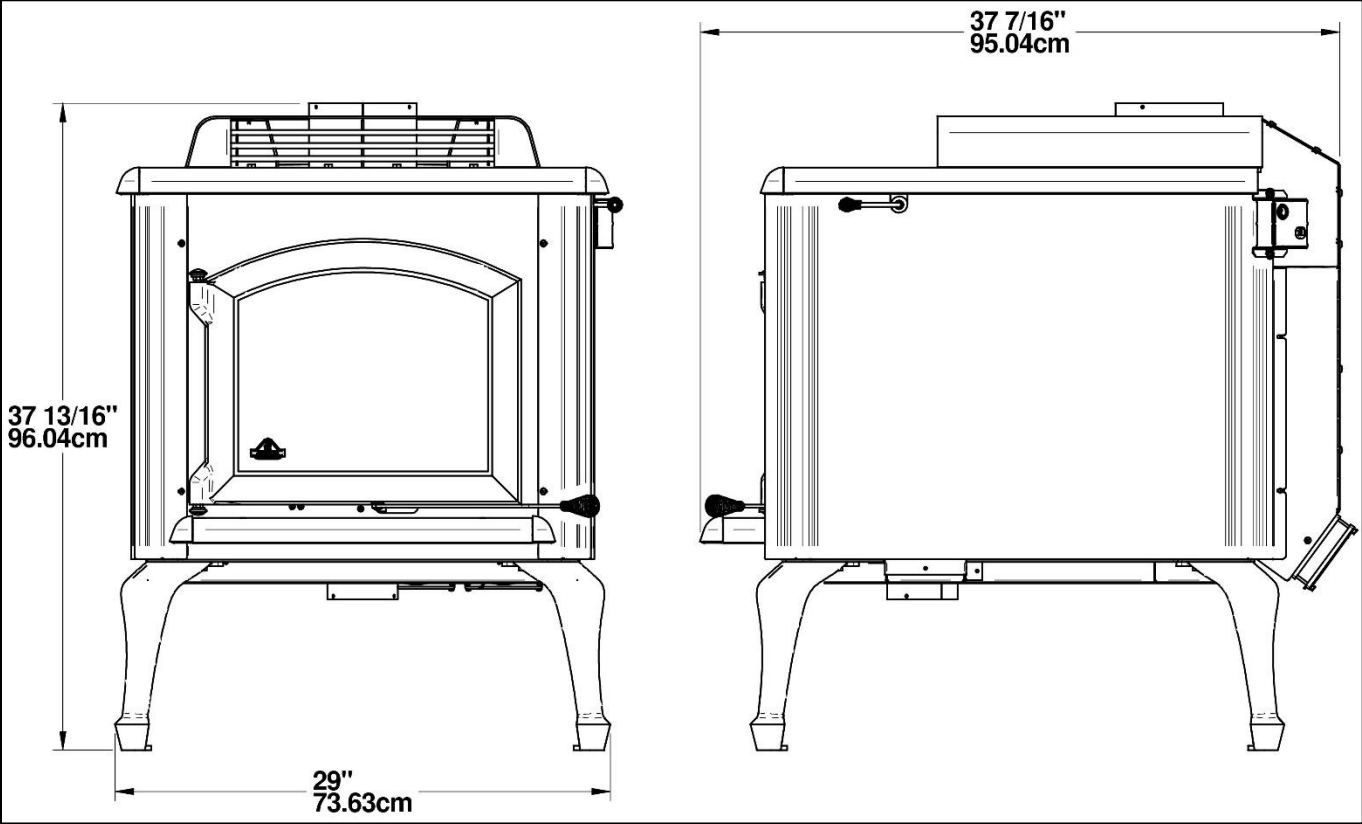
- EXIGENCE: (pare-chaleur)  
Feuille de métal de 0.33 mm (0.013") d'épaisseur espacée du tuyau à fumée de 25 mm (1") par des matériaux incombustibles et de largeur suffisante pour permettre que la plus petite distance aux matériaux combustibles non protégés soit d'au moins de 450 mm (18")  
REQUIREMENT: (Heat Shield)  
0.33 mm (0.013") sheet metal spaced out from the flue pipe 25 mm (1") by non combustible spacers and such width that the shortest distance to any unprotected combustible surface is at least 450 mm (18")
- For safe operation, install in accordance with the manufacturer's instructions.
  - This appliance must be installed with the legs provided, attached as shown in the installation manual.
  - This appliance must be placed on a 10 mm (3/8") non combustible floor protection like schematic dimensions above.
  - Do not overfire - If heater or chimney connector glows, you are overfiring.
  - Do not connect this unit to a chimney serving another appliance.
  - Inspect and clean chimney frequently - Under certain conditions of use, creosote buildup may occur rapidly.
  - Do not obstruct space under the stove.
  - Do not use grate or elevate firebuild wood.
  - Fire directly on hearth.
  - Replace glass only with ceramic glass 5 mm thick.
  - For use with solid wood fuel only.
  - Burn with the door closed.
  - DANGER: Risk of electric shock. Disconnect power before servicing unit. Do not route power cord under or in front of appliance.
  - Caution: moving part may cause injury, do not operate unit with blower access door open.
  - To pass chimney or chimney connector through combustible wall or ceiling, see owner manual and local building code.



**CAUTION!**  
HOT WHILE IN OPERATION. DO NOT TOUCH.  
KEEP CHILDREN, CLOTHING AND FURNITURE AWAY.  
CONTACT MAY CAUSE SKIN BURNS.  
SEE NAME-PLATE AND INSTRUCTION.

**ATTENTION!**  
CHAUD LORSQU'EN FONCTION. NE PAS TOUCHER. GARDER LOIN DES ENFANTS, DES TISSUS ET DES MEUBLES. LE CONTACT PEUT CAUSER DES BRÛLURES À LA PEAU. VOIR LA PLAQUE SIGNALÉTIQUE ET LES INSTRUCTIONS.

# Appliance Dimension



## Specifications

Option	Ultimate 2015	Magnum
Combustible	Wood	Wood
Recommended surface area	3800 ft <sup>2</sup>	3800 ft <sup>2</sup>
Capacity	120 000 BTU/h	120 000 BTU/h
Flue pipe diameter	6 in (15.4 cm)	6 in (15.4 cm)
Minimal chimney height	12 ft. (365 cm)	12 ft. (365 cm)
Exterior Height	37 13/16 in (96 cm)	29 in (73.6 cm)
Exterior Width	29 in (73.6 cm)	29 in (73.6 cm)
Exterior Depth	37 7/16 in (95 cm)	37 7/16 in (95 cm)
Door Opening	16 in x 9.5 in (40.6 cm x 25.4 cm)	16 in x 9.5 in (40.6 cm x 25.4 cm)
Interior Height	15 ½ in (38 cm)	15 ½ in (38 cm)
Interior Width	20 ½ in (50.8 cm)	20 ½ in (50.8 cm)
Interior Depth	25 ¼ in (64 cm)	25 ¼ in (64 cm)
Maximum log length	24½ in (62.2 cm)	24½ in (62.2 cm)
Average combustion time	4 to 18 hours	4 to 18 hours
Weight	507 lb (230 kg)	507 lb (230 kg)

## Clearances to combustible material

	Ultimate 2015	Magnum
Back	10 in (25.4 cm)	10 in (25.4 cm)
Beside	20 in (50.8 cm)	20 in (50.8 cm)
Front	48 in (121.9 cm)	48 in (121.9 cm)
Minimum Ceiling Height	84 in (213.4 cm)	84 in (213.4 cm)
Back of Flue Collar	17 in (43.18 cm)	17 in (43.18 cm)
Side of Flue Collar	31 1/8 in (79.1 cm)	31 1/8 in (79.1 cm)

# Installation

## Floor protection

Your stove must be installed on a non-combustible material plate to protect the floor and avoid fire which would be caused by:

- Projections of sparks when door opening or loading logs;
- The heat radiation when stove runaway should have an ignition to the floor and the coating;
- Flow of creosote when there is a chimney fire.

The coating used must be non-combustible and approved according to standard UL1618 for USA or your local codes (Example: cement, brick, ceramic tiles...)

### Floor protection plate minimum dimensions

The following dimensions are the minimums values and they can be greater.

Canada:

- 44 <sup>3</sup>/<sub>4</sub> (113.73 cm)
- 53 <sup>3</sup>/<sub>4</sub> (136.53 cm)
- 3/8 in thickness (1 cm)

United States:

- 44 <sup>3</sup>/<sub>4</sub> (113.73 cm)
- 51 <sup>3</sup>/<sub>4</sub> (131.44 cm)
- 3/8 in thickness (1 cm)

**UNITED STATES ONLY:** It's necessary to protect the floor beneath the horizontal part of chimney connector extending 2 inch (5cm) beyond each side of the pipe. You can extend the floor protection panel while respecting the clearances of each side of stove.

## Clearances chart on floor plate

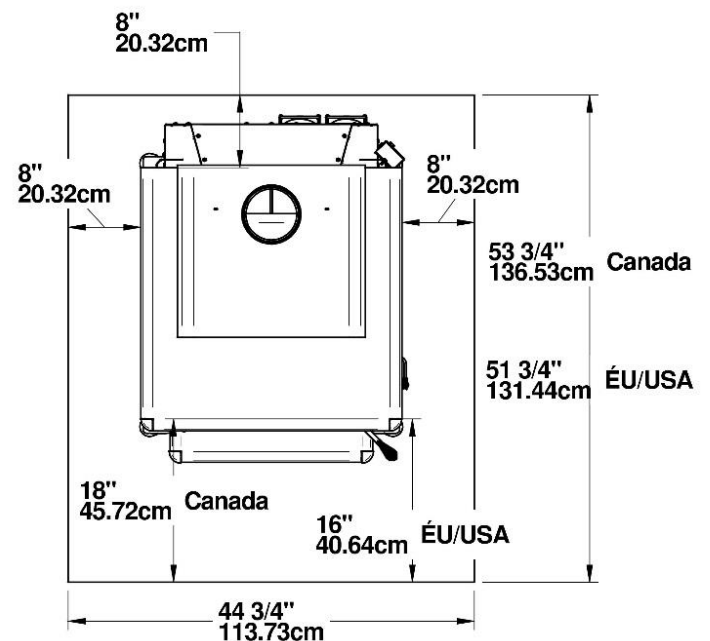
The following dimensions are the minimums values and they can be greater.

Canada:

- 8 inches (20.32 cm) rear
- 8 inches (20.32 cm) side
- 18 inches (45.72 cm) loading door

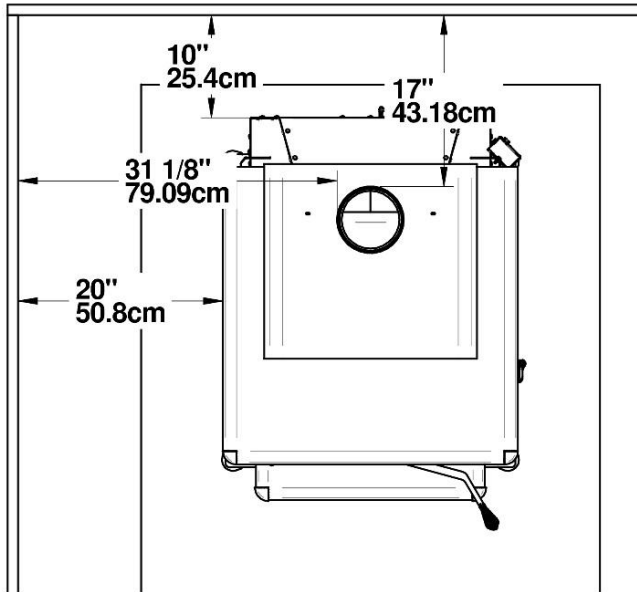
United States:

- 8 inches (20.32 cm) rear
- 8 inches (20.32 cm) side
- 16 inches (40.64 cm) loading door



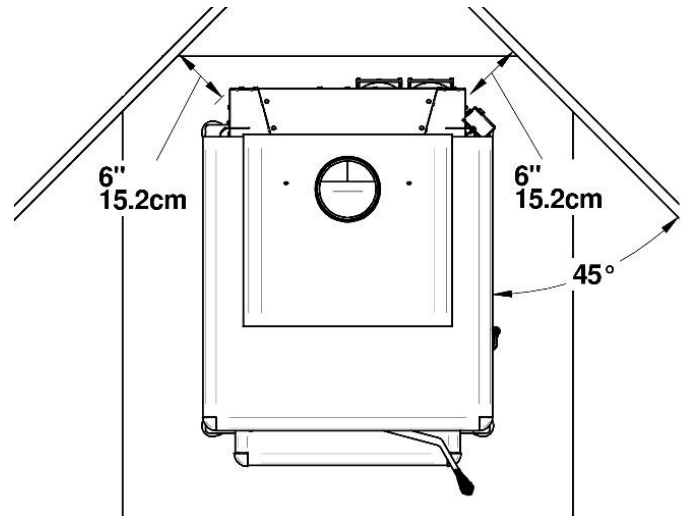
## Minimums clearances to combustible material

This appliance needs a minimum space because of these reduced clearances. Whether in the living room or the dining room, the *MAGNUM* stove will match perfectly by its originality and heating. It requires a minimum clearance of 10 inches at the back (for a smoke simple pipe with a heat shield) and 20 inches of lateral **MINIMUM** clearance.



In case of a single pipe without heat shield, you must keep your stove 18 inches away from all combustible material so that the **MINIMUM** clearance at the back of the stove will be 16 1/4 inches (41.3cm).

For a 45° or other corner installation, the minimum clearance between the stove and combustible material must be 6 inches.



Regarding reducing that dimension, you have to contact your local authority to know how to install heat shield on a wall. Installation with reduced clearances must comply with standard NFPA211 or CAN/CSA-B365.



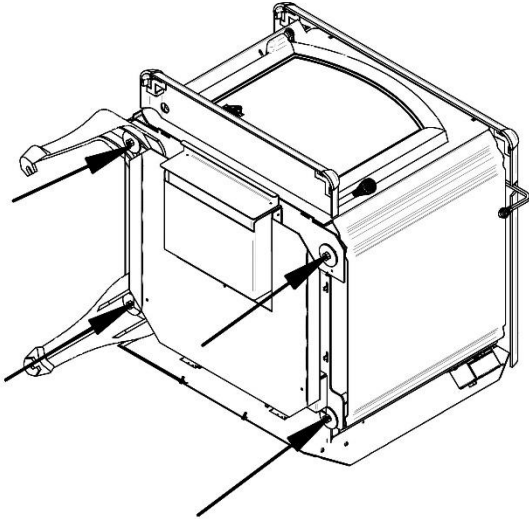
## Assembly before installation

The stove leg and the warming oven top might not be assembled in the factory, in order to save space for transportation and storage. You must therefore assemble these parts before installing the cook stove.

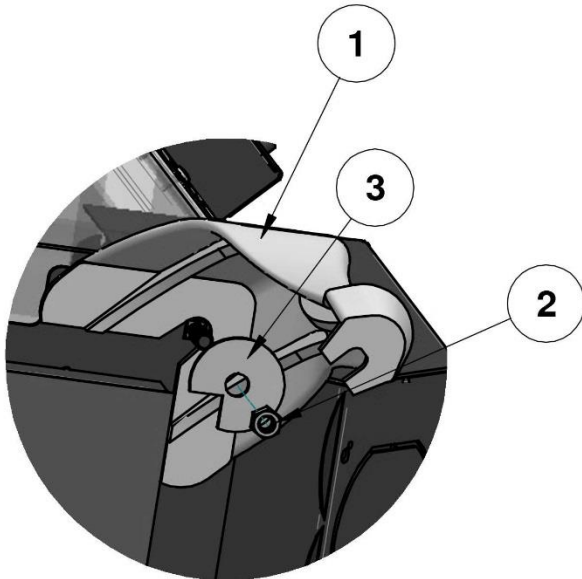
**DO NOT USE THE APPLIANCE WITHOUT INSTALLING THE LEGS.**

### Installing legs

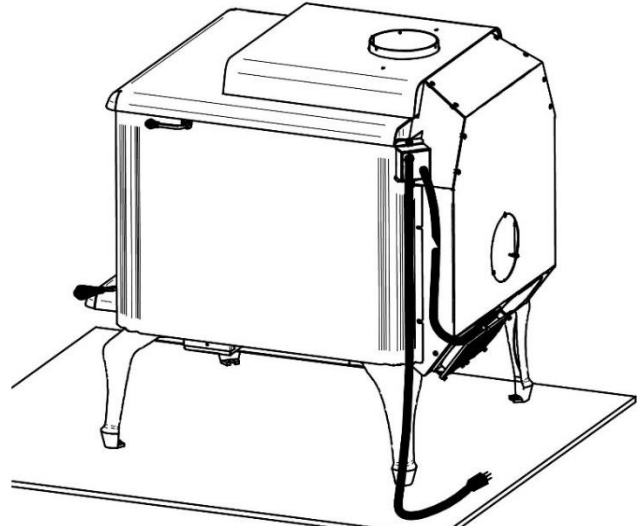
- 1) Take out legs and bricks from combustion chamber.
- 2) Unscrew the stove from the skids.
- 3) Lay the stove on its back carefully not to damage the paint.



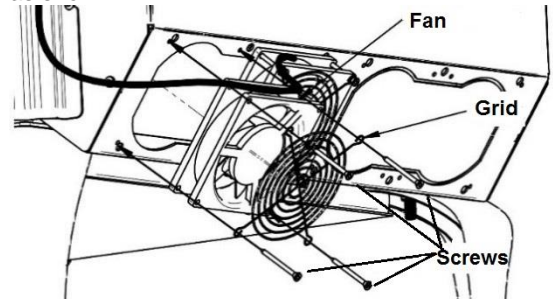
- 4) Loosen the nut (#2) without removing it completely.
- 5) Install the legs (#1) as illustrated below.  
**Attention: Make sure the legs are in place, correctly positioned and in contact with the bottom of the stove. The washer (#3) should also be in place.**



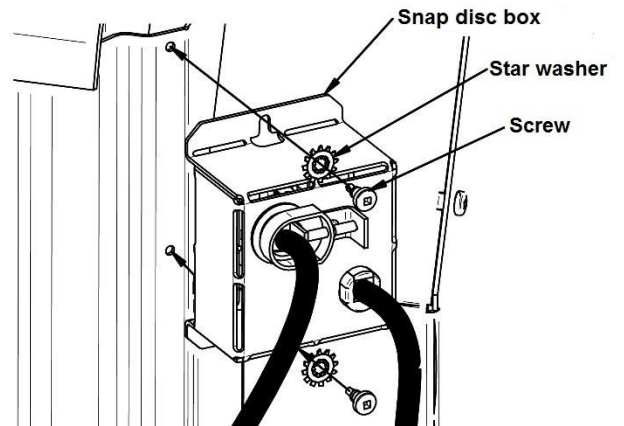
## Fan and Snap disc box installation



- 1) Install the two fans at the bottom of vent box as illustrated. Please note that the cords must be placed as shown.



- 2) Screw the snap disc box into the holes made for this purpose at the back near the vent box.

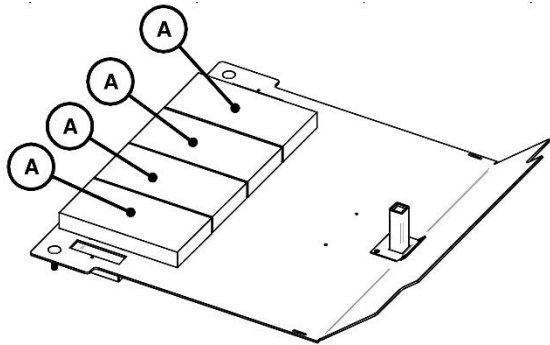


**WARNING: THE POWER CORD MUST NOT BE PLACED UNDER OR IN FRONT OF THE APPLIANCE.**

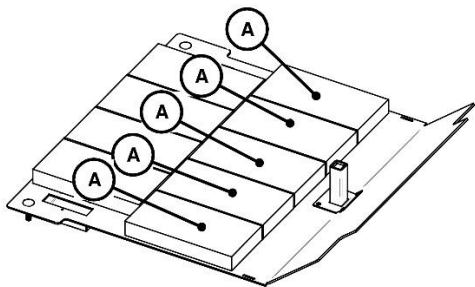
# Firebricks installation

## Bottom firebricks installation

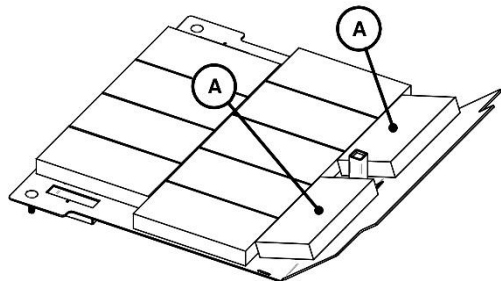
- 1) Put 4 bricks «A» in the bottom as shown in the picture below.



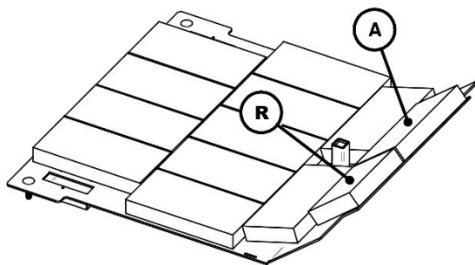
- 2) After, insert 5 bricks «A» in front of the 4 bricks previously placed.



- 3) Insert 2 brick «A» on both sides of the pilot.

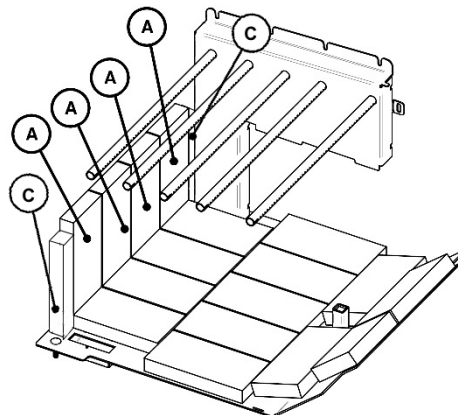


- 4) Insert brick «A» on the right and «R» on the left to finish the installation at the bottom.

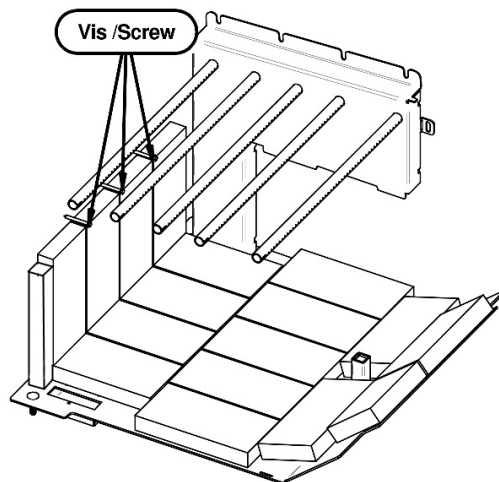


## Back firebricks installation

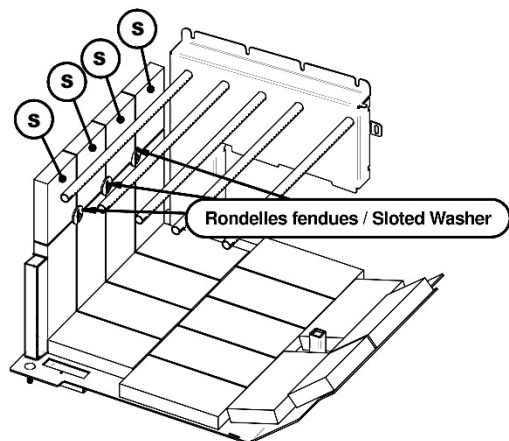
- 5) Put 4 bricks «A» and «C» against the back wall.



- 6) Put the 3 brick screws in the hole for this purpose and tighten them loosely so that split washers can be insert easily.



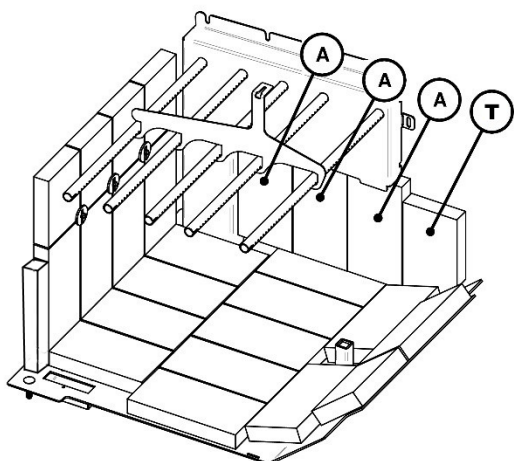
- 7) Add 4 bricks «S» horizontally on the 4 bricks «A» previously placed.



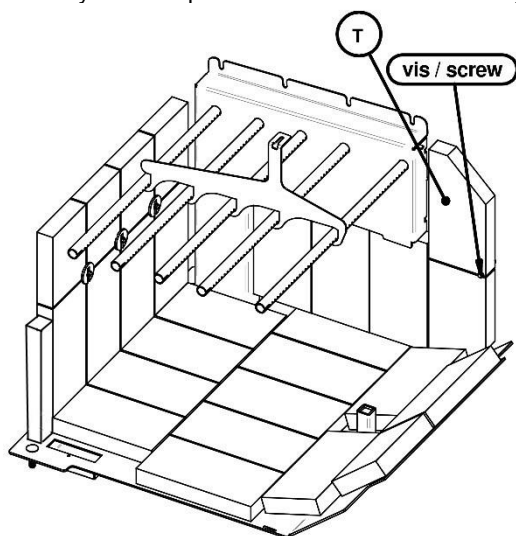
- 8) To finish, put the split washers and tighten the screws.

## Side firebricks installation

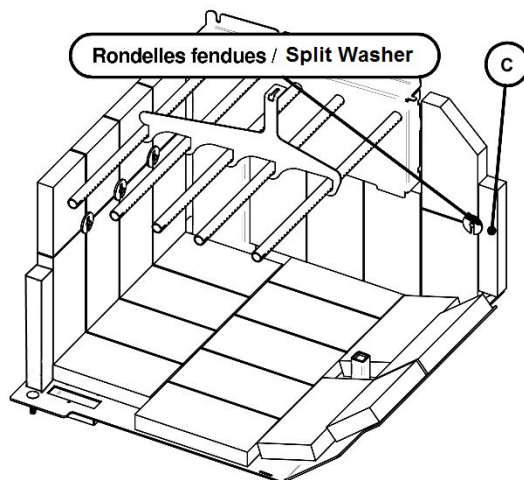
- 1) Put 3 bricks «A» and 1 angled brick «T» beside the right air passage.



- 2) Put one brick «T» on the one installed at Step 1, then place 1 brick screw in the hole for this purpose and tighten it loosely so that split washers can be insert easily.



- 3) Set 1 split washer on the screw and place 1 brick « C » beside it as shown in the illustration. Put the split washer and tighten it.



- 4) Repeat steps 1 2 and 3 to do the other side of the stove.

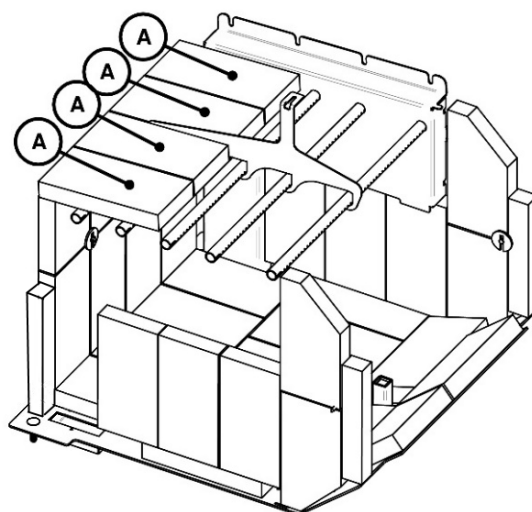
## Firebricks installation on the pipes

The firebricks must be put on the 5 pipes from the back of the combustion chamber. These Bricks keep a maximum heat inside the combustion chamber to help the air supply from the pipes burn the entire gas coming out from wood.

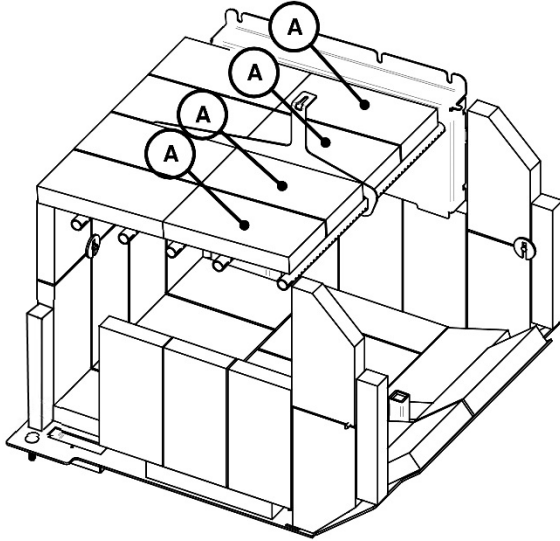
The rockwool over the bricks can reduce a considerable leakage between the bricks and also keep maximum heat inside the combustion chamber. It should cover up all the bricks and the each top side of the air passage.

**IMPORTANT:** The rockwool must not obstruct the smoke exit. Verify from the hole of the chimney collar to make sure if it is in the right position. Then, place 2 half round stainless plates as shown in the picture.

- 1) Put 4 « A » bricks over the 2 pipes at the rear and push them against the back of the combustion chamber.

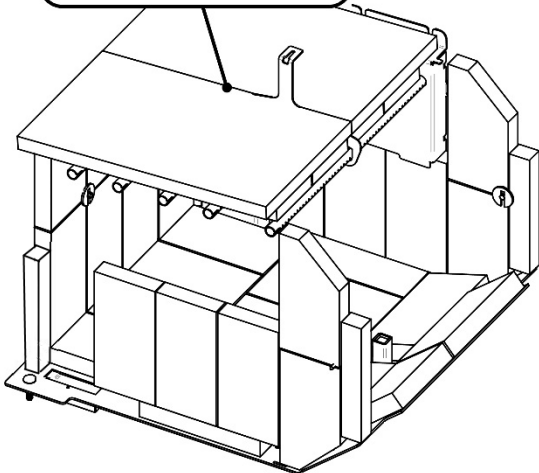


- 2) Put 4 bricks « A » over the 3 front pipes as shown in the illustration. Be sure to eliminate any space between the bricks previously placed at the rear.



- 3) Put the rockwool over the bricks and assume then the smoke exit way is not obstructed.

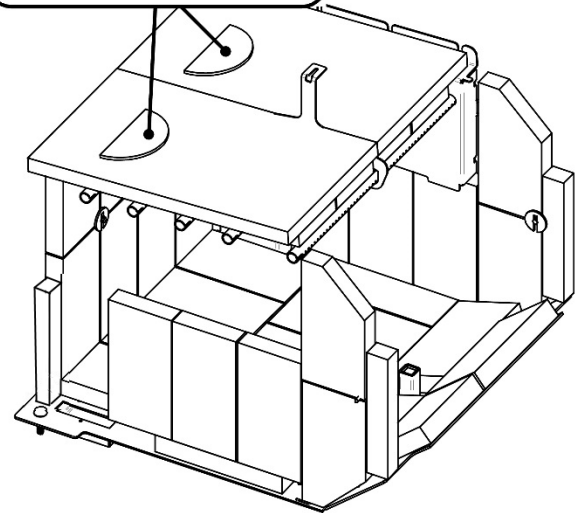
Laine de roche / Rockwool



- 4) Put two half metal discs over the rockwool near the rear deflector already in place. Be sure to put it under the rear deflector to maximise the clearance between rockwool and the rear deflector. You can look from the hole of the chimney collar to be sure the rockwool is not obstructing the space.

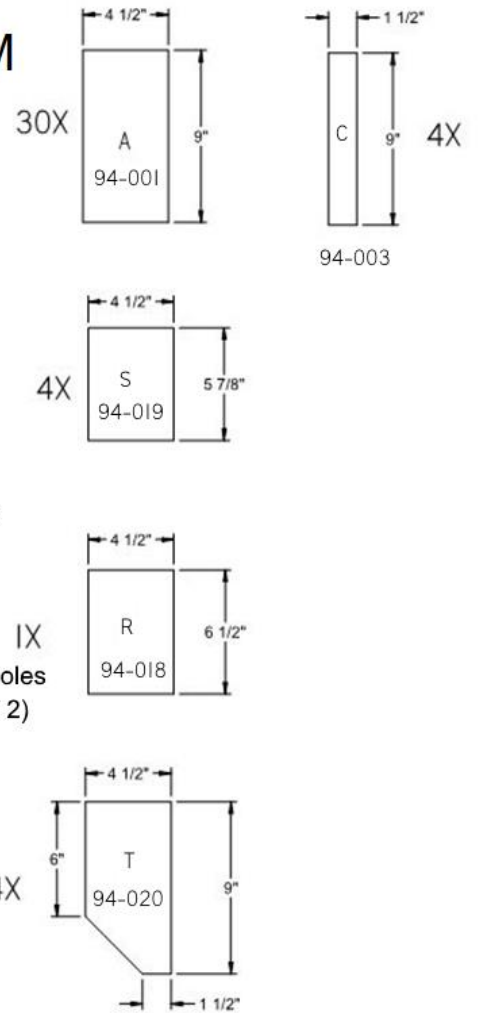
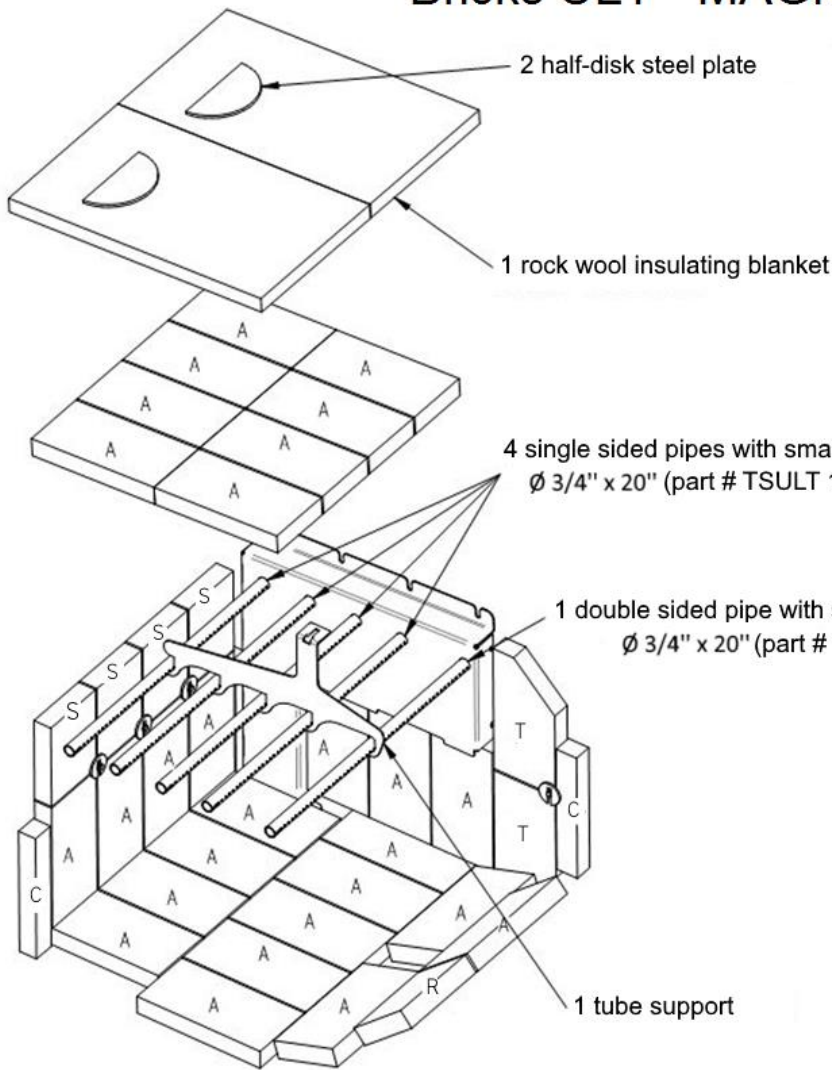
**WARNING: Obstructing smoke exit way under deflector can force smoke to exit by the door and the stove must not work properly.**

Demie Rondelles / Half Disc



Firebox configuration and part list

Bricks ULT - MAGNUM



## General stove installation steps

- 1) Read the entire owner and installation manual before install and use your stove.
- 2) Chose a spot where to install your cook stove. Read section about floor protection dimension and about localisation of stove over the floor protection plate, and for combustible material clearance. Once you have decided where to install the stove, mark the roof at the center of chimney
  - To be sure that the vertical center of the chimney is set, use a plumb line and mark the center on the floor.
- 3) Verify if it is possible to pass chimney without damaging the structural integrity of your house. If not, you might have to change the location of the stove while keeping the minimum clearance. In case that you have to cut a beam, be sure to keep the structural integrity of your house by following state of the art and National building code.
  - We recommend to have this appliance installed by a certified installer.
- 4) Install the chimney following the manufacturer instruction.
- 5) Place the stove directly on the floor aligned vertically with the center of chimney, and trace the 4 sides of the stove on the floor and remove it.
- 6) Trace the dimension of floor protection. Keep the offset clearance of 8 inches (20.3 cm) from the side and the back of the stove. The front offset clearance from the door opening is 16 inches (40.6 cm) in US and 18 inches (45 cm) in Canada.
- 7) Install the floor protection plate inside the trace. (It must be non-combustible material)
- 8) Put the stove on the protection floor plate and respect the offset clearance set at step 6. Be sure to centering chimney with the chimney collar.
- 9) If you have an outside air inlet, you must use 4 inch (10.16 cm) flexible aluminum pipe. The pipe must be hermetic toward outside with an air inlet and an approved grid.
- 10) Install the chimney connector from the stove. It is necessary to attach the each pipe section with 3 screws from the stove collar to the chimney collar.

Note:

This appliance have to be connected to 6 inch (15.24 cm) factory build chimney HT UL 103 or CAN/ULC S629 compliant or a 6 inch (15.24 cm) masonry chimney with a homologated sleeve inside.

Note:

- The single wall or double wall chimney connector must be 6 inch diameter and have a minimum thickness of 24 gauge (0.025 inch, 0.64 mm)
- Do not use galvanised steel chimney connector.

# Chimney connector installation

The chimney connector is a set of single wall or double wall flue pipes and elbow installed between the stove collar and the chimney collar. The single wall chimney connector is sold into any hardware store and are not homologated and certified. Some rules must be followed for installation and can be found in the installation codes for wood heater.

## • Double wall chimney connector

The stove was designed and tested with a **single wall chimney connector with heat shield**, but it is possible to install a 6 inch (15.2 cm) double wall certified chimney connector

**ATTENTION:** For the clearance between combustible materials and double wall chimney connector, see manufacturer's manual.

## • Single wall chimney connector

For the single wall chimney connector, you must use the single wall or double wall chimney connector and it must be 6 inch diameter and have a minimum thickness of 24 gauge (0.025 in 0.64 mm). **For the single wall section and elbow, install a metal heat shield and 1 inch (25.4 mm) offset.**

**ATTENTION:**

- If heat shield is not installed, you must move away the stove to keep 18 inch (45.7 cm) clearance between combustibles materials and the chimney connector.
- Any horizontal section must have a slope of 1/4 inch (6.35 mm) by feet (30 cm) toward the chimney collar. It should not exceed 36 inches (91.4 cm).
- Clearance between roof and horizontal single wall chimney connector must be 18 inches (45.7 cm) or more.
- Clearance between roof and horizontal double wall chimney connector, follow chimney connector manufacturer indication.

**ALL SECTION AND ELBOW MUST BE CLEAN AND IN GOOD CONDITION AND MUST BE APPROVED FOR WOOD BURNING.**

## 1. Chimney connector assembly installation

Make a summary installation of all sections and elbows (if necessary) to ensure that you meet the clearances and inclinations of the horizontal sections and check that you have all the necessary parts to final installation.

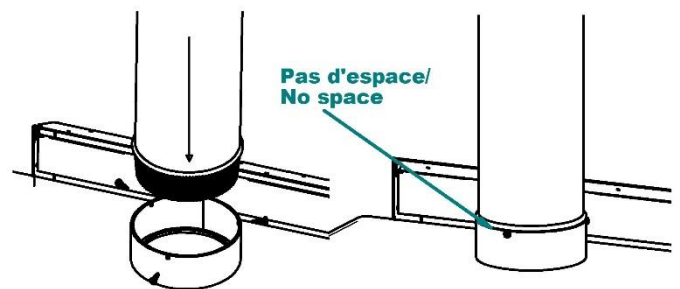
- For direct vertical installation you will need:
  - 1 adequate length of vertical section;
  - 1 adequate length of telescopic chimney connector section allowing you to connect the last chimney connector section to the roof support collar.

**Note:** Additional sections can be used for higher roof.

- For horizontal run installation, you will need
  - 1 adequate length of vertical section;
  - 1 x 90° elbow or 2 x 45°elbow;
  - 1 x adequate length of telescopic chimney connector section.

**Note:** For better performance, two 45 degree elbows are preferable, with or without straight section in between.

2. Disassemble the whole thing and start screwing the pieces from the stove to the roof chimney collar.
3. Insert entirely the roll formed end into the stove collar and fix it with minimum 3 screws.



4. Install all the next section up to the roof chimney support and screw every chimney connector parts with 3 screws

**WARNING: It's mandatory to screw all joint with a minimum of 3 screw.**

5. Install all other sections and screw them all up to the chimney collar.
6. Screw the last section to the chimney collar.

**DO NOT CONNECT THIS UNIT TO A CHIMNEY FLUE SERVING ANOTHER APPLIANCE.**

**CONNECTOR PIPES SHOULD NEVER PASS THROUGH THE CEILING, IN A WALL, IN A CLOSET, IN AN ATTIC OR OTHER ENCLOSED AREA THAT COULD CAUSE HEAT BUILDUP. IF YOU NEED TO PASS THROUGH COMBUSTIBLE MATERIAL, MAKE SURE THAT YOUR INSTALLATION COMPLIES WITH CAN / CSA-B365.**

## General steps of chimney installation

Use only approved chimneys of the same size as the output of the appliance, which means 6 inches in the case of this stove. The chimneys must be tested according to CAN/ULC-S629-M87 in Canada and to UL-103 (type HT) In USA. The ROBY2500/ ROBY2500 CUISINIÈRE can be installed with a masonry chimney according to ULC-S635, ULC-S640 and UL-1777. The masonry chimney must be equipped with a stainless steel sleeve and meet the standards for the masonry chimney with inner sleeve.

Provide a place for sweeping.

It is preferable, if possible, to avoid a chimney built outside of a house and on an exterior wall, especially in cold regions. Outside chimneys generally have a less efficient draft. They can even have down draft since it is hard to heat them enough to reach their operating temperature. Cold chimneys have tendencies of greater accumulation of creosote, less efficient draft and worse efficiency. Draft is proportional to the total chimney height as well as its temperature. It is therefore possible to get better draft by increasing the chimney's height and by reducing the heat loss with insulated lining. Make sure that all pipe joints are really airtight. A leak reduces the efficiency of the appliance and could even make its usage dangerous.

**Note: This is a general chimney installation method. Be sure to refer to the manufacturer's manual for more details of installation of your chimney.**

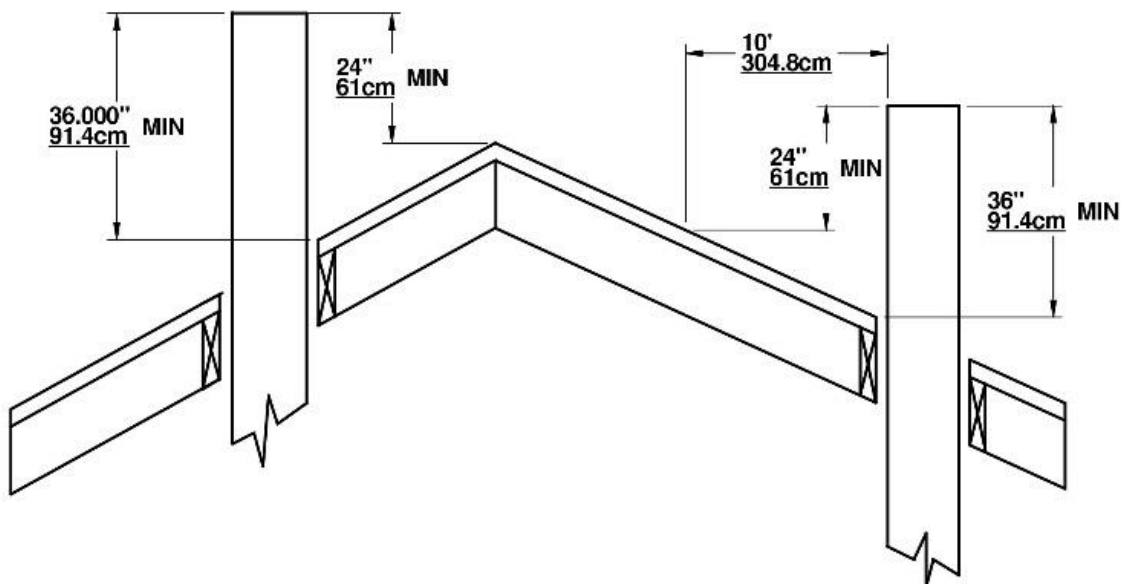
- 1) Determine the total length necessary for your chimney.
- 2) Make holes into all floors and roof.
- 3) If you need to cut a joist, be sure to strengthen the adjacent joists and frame the hole respecting the minimum dimensions between combustible materials and the fireguard. Follow the manufacturer's instructions supplied with the fireguard. **Never cut a loadbearing joist/beam.**
- 4) Frame the holes in each level and attic respecting the minimum distance recommended by the manufacturer of your chimney. **Install fireguard in each level.**

- 5) Frame the hole into the roof.
- 6) Install a chimney support and a fireguard in the ceiling where cook stove is installed.
- 7) Stack the prefabricated chimney sections on the support and exceed the roof.
  - The chimney must exceed at least 3 feet (91.4 cm) from the highest point of the hole in the roof.
  - The chimney must also be at least 2 feet over the highest point on the roof inside 10 feet (304 cm) radius around the chimney.
  - The minimum length of chimney is 12 feet (365.8 cm).

**ATTENTION: Make sure the chimney parts are attached properly and locked onto the chimney support.**

**Note: A chimney longer than the minimum required can add more draft and help the operation of the cook stove. Try the minimum length first then add section if you need more draft.**

- 8) Put the roof flashing over the chimney and seal it with roof caulking.
- 9) Nail the roof flashing.
- 10) Slide the storm collar over the chimney and fix it. Seal it with high temperature caulking.
- 11) Lock the chimney cap and install the spark arrestor if necessary.





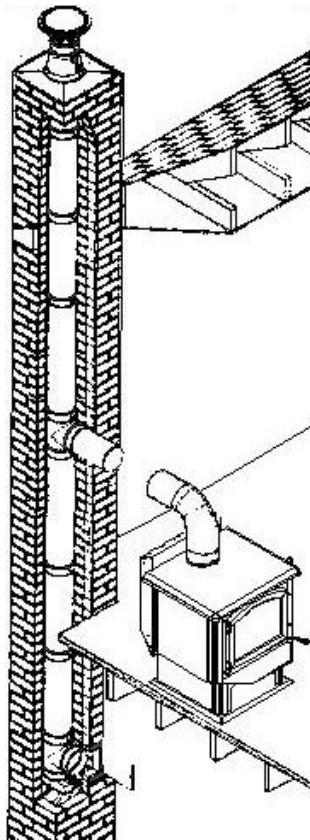
## Inside Masonry Chimney, Vertical Installation

The wood burning appliance must be installed in accordance with the applicable local laws or the CAN/CSA-B365, NFPA211 (USA) norms. Follow the chimney manufacturer's instructions to install the chimney.

The chimney masonry must have inside a certified metallic sleeve cover up all the chimney height. The sleeve must be at the same diameter of the flue collar. The junction between the sleeve and the chimney connector must be tight and sealed to avoid fume to go indoor.

To pass into a combustible wall between the stove and the masonry chimney, the installation method has to be safe to prevent fire. Refer to your local authority to get the latest information.

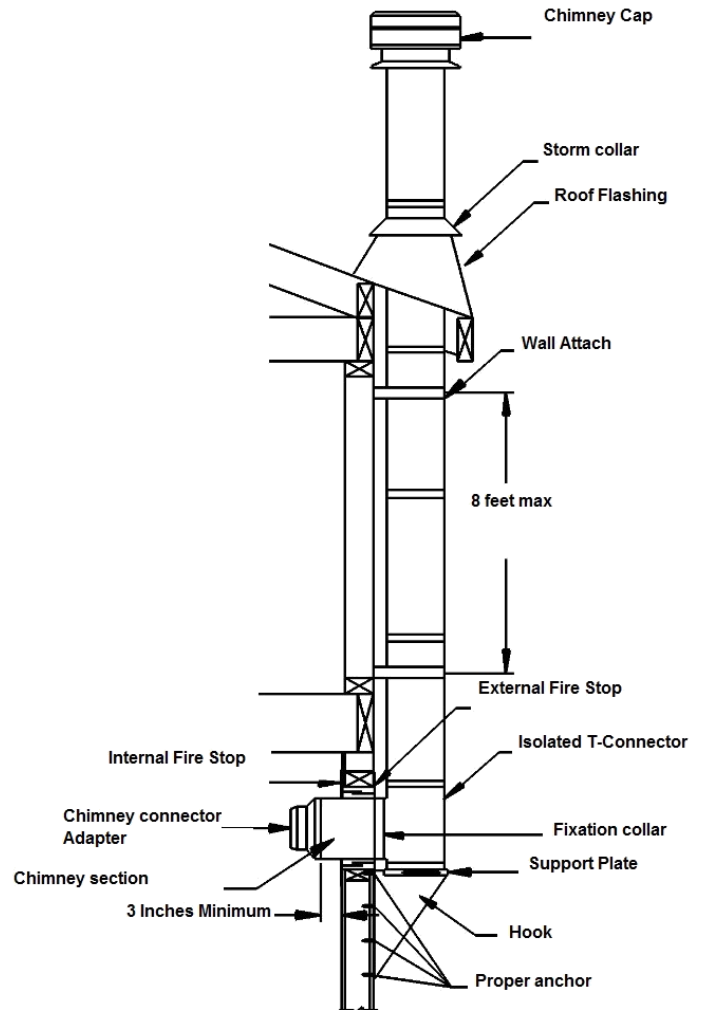
To install the stove in an abandoned masonry, the chimney must have a certified metallic sleeve cover inside up all the chimney height. The sleeve must be at the same diameter than the flue collar. The junction between sleeve and the chimney connector must be tight and sealed to avoid fume to go indoor. Don't forget to add a sweep opening.



## Outside Vertical Installation

The wood burning appliance must be installed in accordance with the applicable local laws or the CAN/CSA-B365, NFPA211 (USA) norms. Follow the chimney manufacturer's instructions for installation.

To pass into a combustible wall between stove and the chimney, the installation method has to be safe to prevent fire. Refer to your local authority to get the latest information.



## Cathedral Vertical Installation

The wood burning appliance must be installed in accordance with the applicable local laws or the CAN/CSA-B365, NFPA211 (USA) norms. Follow the chimney manufacturer's instructions to install the chimney.

Always pass chimney between joists. If you have to cut a joist, refer to the National Building code to know how to do it safely to avoid structural integrity fail. Otherwise, call a carpenter or a certified installer.

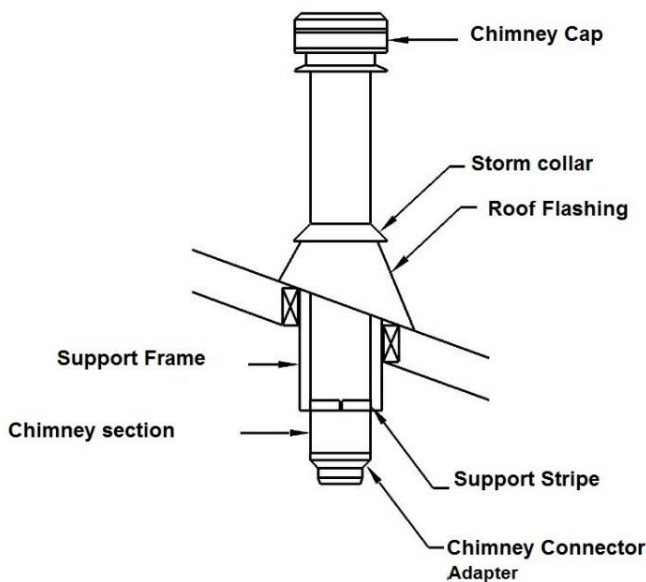
Always frame around chimney and keep minimal clearances indicated in your chimney manual.

Do not fill the gap between the framing and the chimney. Nothing must be in contact with the chimney.

Always install a fire-wall at each level, in a wall, a ceiling, a floor and an attic.

Always pass with a straight section through joists.

The chimney should be supported by the cathedral roof. Install a frame for this purpose around the opening. Weight of the chimney must not be supported by the stove.



## Offset Installation

The wood burning appliance must be installed in accordance with the applicable local laws or the CAN/CSA-B365, NFPA211 (USA) norms. Follow the chimney manufacturer's instructions to install the chimney.

Always pass chimney between joists. If you have to cut a joist, refer to the National Building code to know how to do it safely to avoid structural integrity fail. Otherwise, call a carpenter or a certified installer.

Always frame around chimney. Keep minimal clearances indicated in your chimney manual.

Do not fill the gap between the framing and the chimney. Nothing must be in contact with the chimney.

Always install a fire-wall at each level, in a wall, a ceiling, a floor and an attic.

A special fire stop need to be install into the attic. It keeps insulation distant from the chimney.

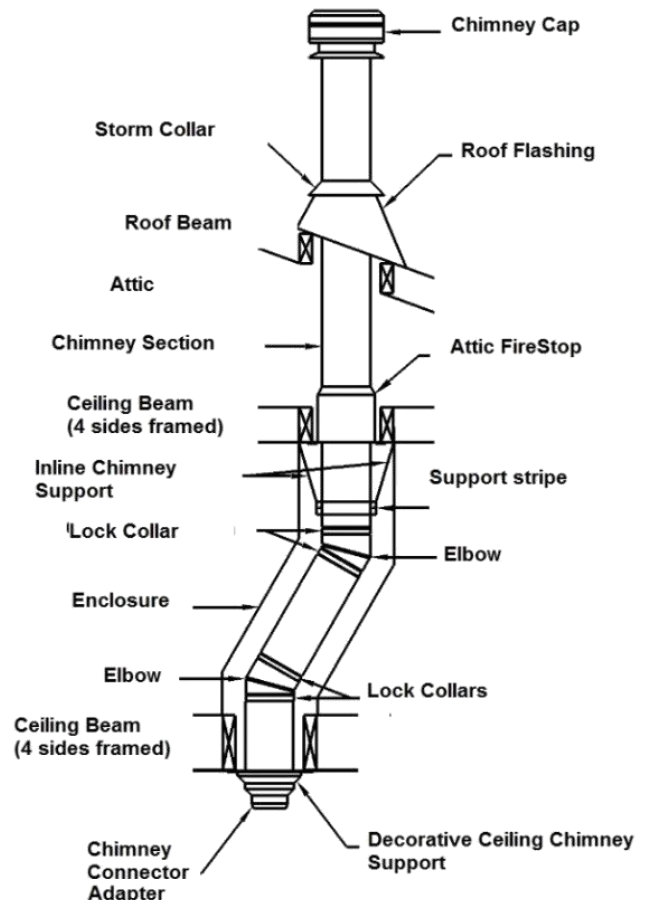
Always pass with a straight section through joists.

Chimney weight have to be support by the lowest floor with a ceiling support.

Chimney weight should never be onto the elbows. Install a support band to support the upper straight section over the elbow.

Weight of the chimney never be allow to be support by the stove.

Some restriction have to be respect regarding the maximum angle and length of the offset. Refer to the chimney manual or local building code for this restriction.



## Vertical Installation

The wood burning appliance must be installed in accordance with the applicable local laws or the CAN/CSA-B365, NFPA211 (USA) norms. Follow the chimney manufacturer's instructions to install the chimney.

Always pass chimney between joists. If you have to cut a joist, refer to the National Building code to know how to do it safely to avoid structural integrity fail. Otherwise, call a carpenter or a certified installer.

Always frame around chimney. Keep minimal clearances indicated in your chimney manual.

Do not fill the gap between the framing and the chimney. Nothing must be in contact with the chimney.

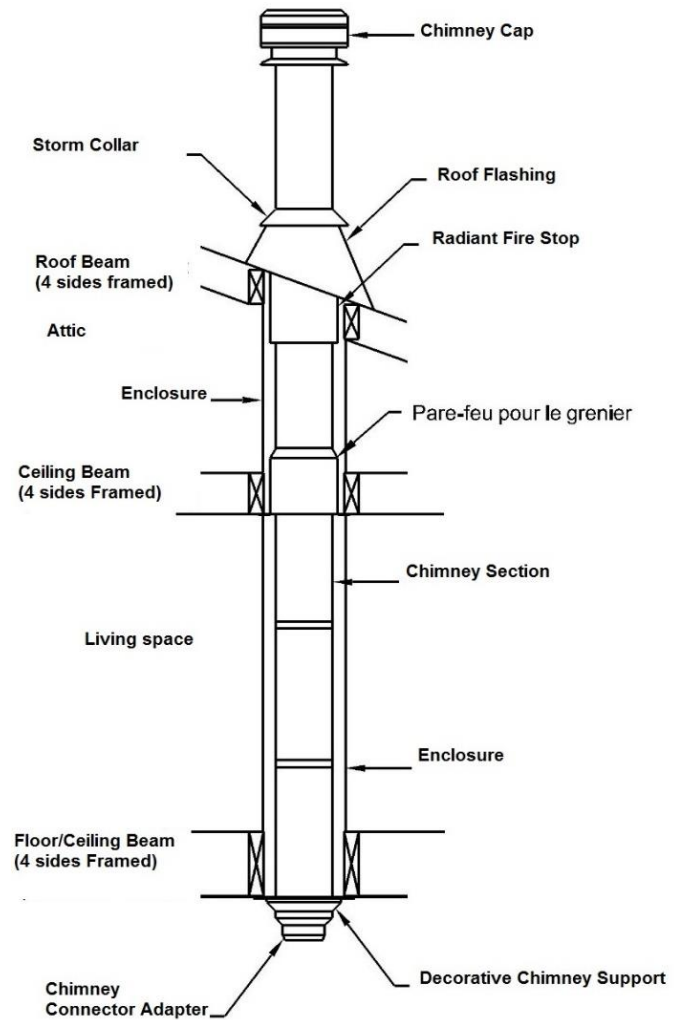
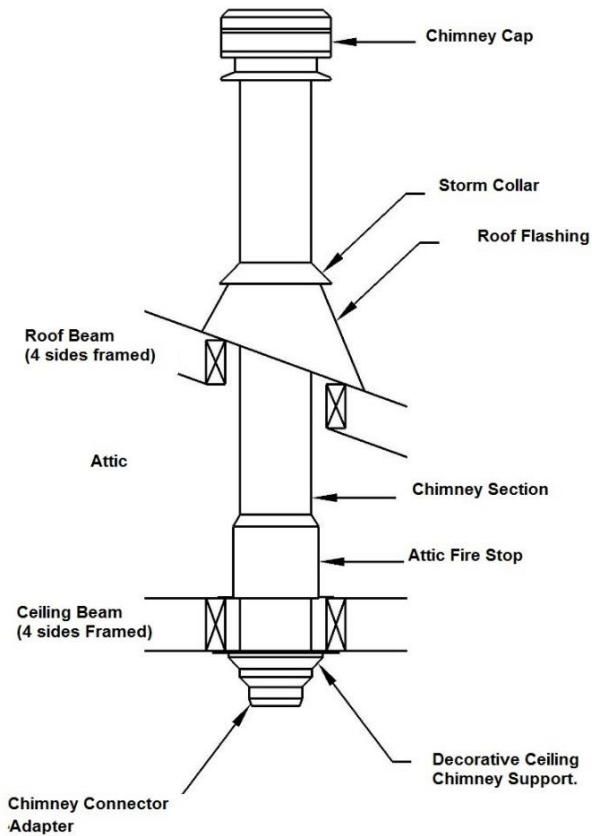
Always install a fire-wall at each level, in a wall, a ceiling, a floor and an attic.

A special fire stop need to be install into the attic. It keeps insulation distant from the chimney.

Always pass with a straight section through joists.

The chimney should be supported by the cathedral roof. Install a frame for this purpose around the opening.

Weight of the chimney must not be supported by the stove.



## External combustion air source

In conventional designed homes, natural ventilation is enough to operate the wood stove efficiently.

In Novoclimat homes, stoves might not work properly. When some appliances are in motion, such as tumble dryer, kitchen hood or bathroom fan, the smoke might come in the house because of the depressurization which they would cause. In this case, you must install a combustion air intake system.

If there is no air intake system, we recommend you to open slightly a window of the room where the stove is situated in order to avoid a negative air pressure when an appliance mentioned above is working.

**WARNING: DO NOT INSTALL THIS APPLIANCE IN MOBILE HOME.**

A mobile home on a foundation is considered like a conventional house.

### *Air Inlet Obstruction*

If the stove extinguish after closing is door, it's possible than the air inlet is obstruct by something.

After a long unused period, insects or animals can build a nest into the air inlet.

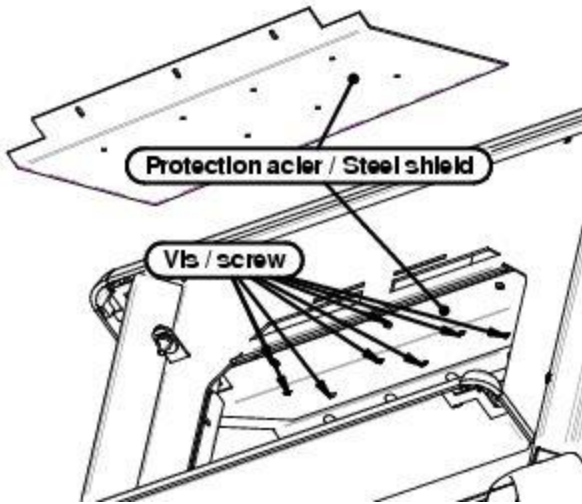
In winter, after a storm, snow can accumulate over the air inlet and obstruct it.

Before warming season, always inspect air inlet pipe to be sure nothing is obstructed the outside air inlet.

## Steel deflector replacement

Internal steel deflectors are used in the combustion chamber to protect the steel deflector placed underneath from the corrosion cause by extreme temperature and conditions in the combustion chamber.

When they get worn out, you have to replace them.



## Front deflector replacement

The front deflector is for the protection of the primary air passage. If it gets holes, the fire might come in and damage the air passage, and it might cause the smoke to come out from the air passage. It must be therefore changed.

Before replacing the deflector, remove following items:

- Rockwool and two half round steel plates;
- 3 front tubes;
- Bricks at the front row so that you can unscrew and screw the deflector in place.

Replacement of the front deflector.

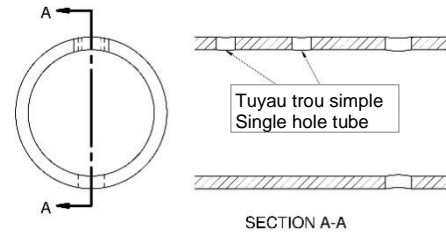
1. Remove all the screws of the front deflector and take it out.
2. Install the new deflector and screw it in place. Pay attention to put all screw.
3. Install previously disassembled tubes, rockwool and half round steel plates. Follow the instruction of the stainless steel tubes replacement section.

## Stainless steel tubes replacement

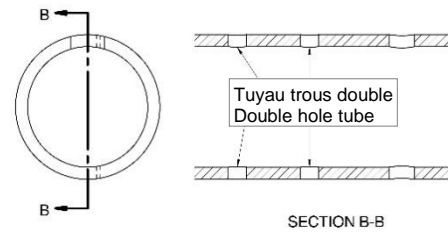
Although the tubes are in stainless steel, they will be eventually corroded and perforated by the extreme temperature and conditions. They must be replaced by a new one to ensure performance of your stove.

### Stainless steel tube Installation

Two types of tubes are used in the stove. Four at the bottom are single hole tubes which are placed at the rear of heat chamber. The front heat chamber is covered by the single hole tube.

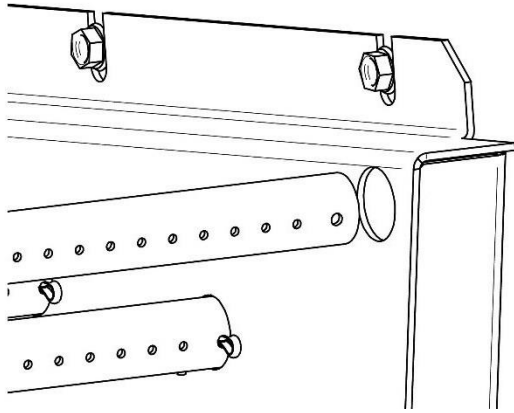


To ensure proper tube orientation, there is a notch made at one end of tube. Find a corresponding one made in either of the two hot air side channels.

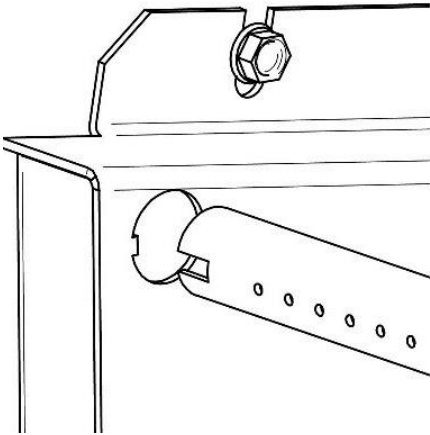


## How to install a tube

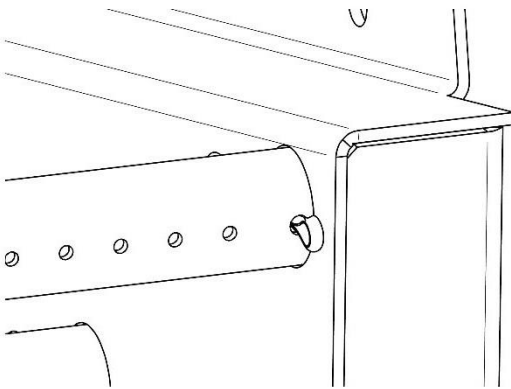
- 1) Insert the tube into the round hole into the hot air side channel.



- 2) Align and insert the notched end into the other side.



- 3) Push completely the grooved end and insert the cotter pin into the last hole at the other side.

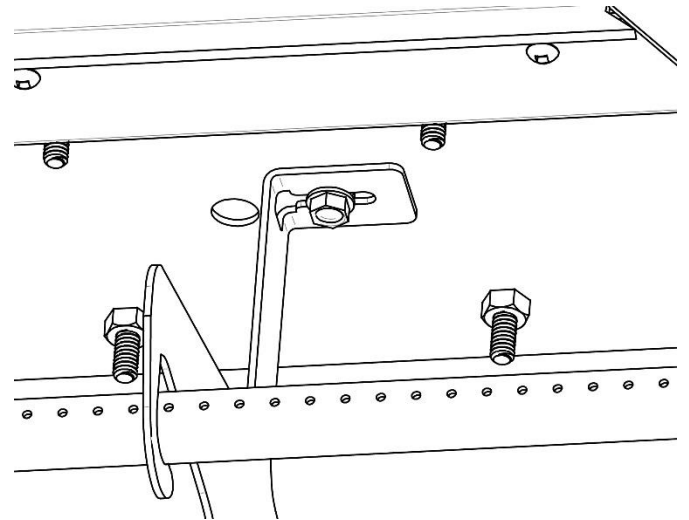
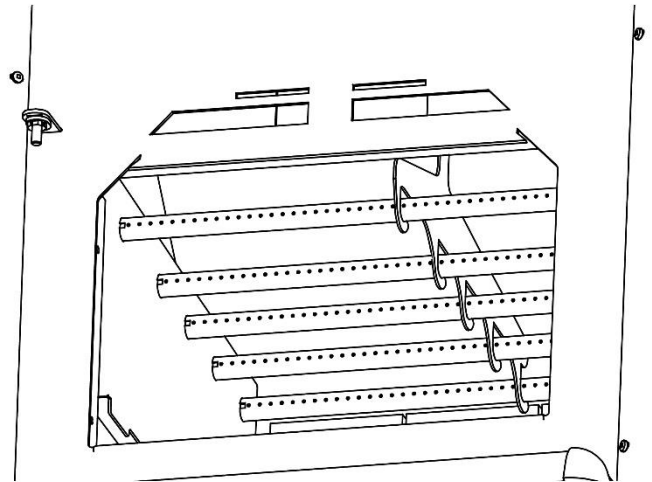


- 4) Split the cutter pin to lock it.
- 5) Install the next tube.

To remove tubes, do steps in reverse order.

## Tube support installation

Put the support over the tube and fix it at the top of the combustion chamber with the screws as shown.

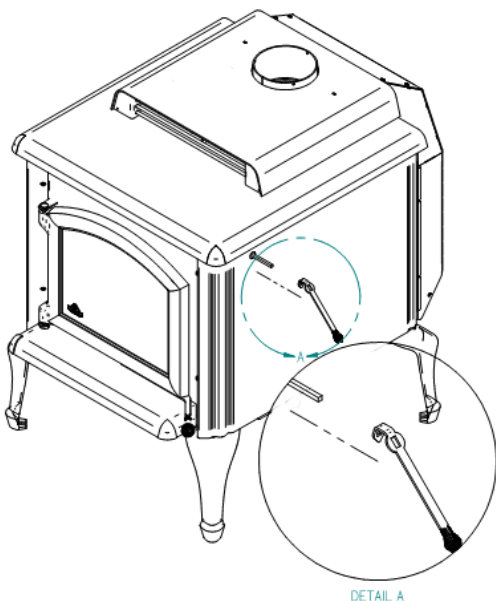


## Operating Instructions

- Operate always with the door closed: keeping the door open can cause runaway and overheat, and it might damage permanently the stove or a chimney fire.
- It's recommended to install a co, co2 and smoke detector in the room where the stove is situated.
- Never hit the door.
- Never burn inflammable liquid: inflammable liquid makes uncontrolled heat and can make permanent damage to the stove or a chimney fire.
- Always verify if the air inlet is not obstructed before lightning.
- Never elevate fire with grate or andiron. Always make fire directly on the hearth.

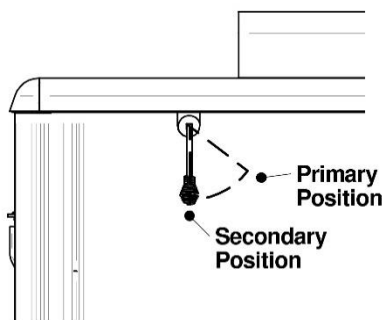
## Removable Handle Installation

Slide the square metal rod inside the square and rectangular orifices of the removable handle. Remove the handle after adjusting the air intake so that it doesn't get too hot. Leaving the handle in place and touching it while the stove is in function might cause burns



## Primary and secondary air admission control

When the handle on the left of the stove is vertical, the air admission comes only from the tubes, this is what we call



“Secondary air admission”. When the handle is angled, the air admission is direct and from the air intake above the door which is called “Primary air Admission”.

**Warning: Operating the stove with the Primary air admission fully open for a long period of time can damage the stove.**

**IT IS PROHIBITED TO MODIFY AIR ADMISSION TO OBTAIN A HIGH HEAT OR ANY OTHER REASONS. ANY MODIFICATION CAN AVOID GUARANTEE.**

## Lightning fire

After installing correctly the stove following the installation instruction of the manufacturer, you are ready to light it.

- 1) Turn the admission handle in horizontal position to set the primary air admission.
- 2) Put paper and lightning wood in the combustion chamber and light the fire in your way.
- 3) Close partially the door keeping a slight opening. When chimney have enough heat buildup, close the door completely and lock it. Wait for a good fire buildup.
- 4) Once you have an ember fire, it's time to add logs. Follow now the instruction section on how to keep a fire.
- 5) Once you have an ember fire, it's time to add logs. Follow now the instruction section on how to keep a fire.

**DO NOT OVER CHARGE THE STOVE MORE THAN THE UPPER BRICK ROW.**

You can control the combustion by turning up or down the handle. The wood will burn more rapidly when more primary air is set. Otherwise the wood burn more slowly and more efficiently with the handle set to secondary air.

- NEVER LEAVE THE STOVE UNATTENDED WHEN THE DOOR IS SLIGHTLY OPEN. ALWAYS CLOSE THE DOOR AFTER LIGHTNING.
- ALWAYS USE THE STOVE WITH THE DOOR CLOSED.
- DO NOT USE ANY CHEMICAL PRODUCT OR INFLAMMABLE LIQUID TO LIGHT OR REKINDLE THE FIRE.
- DO NOT BURN WASTE OR ANY OTHER INFLAMMABLE PRODUCTS AS GASOLINE, NAPHTHA OR MOTOR OIL.
- DO NOT MAKE FIRE TOO CLOSE TO THE GLASS.
- KEEP INFLAMMABLE PRODUCTS FAR FROM THE APPLIANCE.

## First fire

The first hours of operation, you must heat it gradually. In order to allow an appropriate baking of the paint and in order to facilitate its adhesion with metal, do not heat the appliance with a strong fire. It will also avoid thermal shock which could lift up the paint or make the color fade.

Make sure that the room is ventilated enough in order to eliminate the odours and the smoke coming from the paint during the first hours of usage.

Even if this nuisance is temporary, open the windows and the doors in order to ensure a good ventilation. This special paint is conceived to tolerate temperatures until 1200°F (650°C).

## Keep a fire

To add firewood into the stove and keep a fire:

- 1) Turn the handle to horizontal position and wait a few second to let the fire adjusting to the new conditions.
- 2) Open the door handle to the first position and wait a few second to balance pressure to avoid fume to escape from stove.
- 3) Turn the handle completely and leave the door half open and leave the time so that the fire can adjust.
- 4) Open the door widely.
- 5) Move embers with poker near the door to oxygen it and make it burned completely.
- 6) Add firewood over the ember, keeping it away from the glass door to prevent the flame from touching the ceramic glass. **ATTENTION:**

**DO NOT CHARGE THE STOVE OVER THE HEIGHT OF THE BRICKS.**

**DO NOT BUILD A FIRE TOO CLOSE TO THE DOOR GLASS.**

**YOUR APPLIANCE IS CONCEIVED FOR BURNING CORD WOOD. ANY OTHER KIND OF WOOD IS NOT RECOMMENDED.**

- 7) Close the door slightly and let the wood burn.
- 8) Once the fire becomes stable, close and lock the door.
- 9) Adjust the air admission handle to desired setting.

**NEVER LEAVE THE STOVE UNATTENDED WHEN THE DOOR IS SIGHTLY OPEN. ALWAYS CLOSE THE DOOR AFTER ADDING A LOAD.**

**NEVER USE ANY INFLAMABLE LIQUID TO REVIVE THE FIRE.**

## Fans Controls

On the Snap Disc box, an automatic fan controller, there is a switch to turn it on and off.

When it's on, the fan goes off at the temperature of ventilation box getting higher than 120 Fahrenheit (49 degree Celsius).

The fan doesn't work when the switch is off.

If your stove does not have a switch, the fan works automatically as the switch is on.

**NEVER ROUTE THE ELECTRIC WIRE OF FANS IN FRONT OR UNDER APPLIANCE.**

## Wood storage

The cordwood must be stored in a dry place, away from rain and snow.

It should not be stored under the stove or too close to it.

If any wood is stored next to the stove, you must respect the minimum clearances to avoid self-ignition.

- 10 inches (25.4 cm) rear
- 20 inches (50.8 cm) side
- 48 inches (122 cm) loading door



# Maintenance

## Ash Removal

The wood burning make some residual called ash and it must be removed from the combustion chamber to help oxygen circulation.

The ash have to be removed periodically every 2 or 3 days during heavy warming period. Never have an excessive accumulation in the combustion chamber, because it can reduce performances of your stove by diminishing the air circulation between logs.

The best time to remove ash is after a long warming period like morning when the stove is relatively cold enough to manipulate the ash and the chimney is still hot. The hot chimney draft will vacuum the dust inside the stove.

To remove the ash from combustion chamber, you must have the following tools.

- Ash shovel;
- Ash brush;
- A metal bucket with airtight lid.

Some embers are mixed with ash and still lit a few hours or a few days. It's very important that the metal lid is airtight. The bucket must be put on non-combustible tiles or bricks.

## Ash Disposal

Some embers are mixed with ash and still lit. If there is enough oxygen, they can still light some hours or even a few days.

It's mandatory to store ash pending disposal:

- Into a metal container with an airtight metal lid correctly closed;
- Outside the house directly on gravel, on a concrete slab, on bricks or any other non-combustible materials;
- Far enough from combustible material;
- No inflammable liquid must be in proximity.

If the ash are disposed of by burial in soil or otherwise locally dispersed, they should be retained in the closed container until all cinders have thoroughly cooled.

**NEVER PUT WASTE IN THE ASH CONTAINER.**

## Creosote Formation

When wood is burning slowly, it produces tar and other organic vapors, which are combined with expelled moisture to form creosote. The creosote vapor condense in the relatively cool chimney flue of a slow-burning fire. As a result, creosote residue accumulates on the flue lining. Creosote can take several forms such as tarry liquid, black soot or crystals. When it catches fire, this creosote produces an extreme heat and it might cause a chimney fire.

The chimney connector and chimney should be inspect at least once a week during the first month to determine if a creosote buildup has occurred and to see how often you have to sweep it. Warmer is your fire, less creosote buildup occurs.

Contact your local fire authority to know how to handle a chimney fire.

## Chimney Inspection

Wood moisture, wood species, the combustion quality and other conditions are the factors that can influence creosote buildup speed in the chimney and the chimney connector.

The chimney and the chimney connector must be inspected at least one every two month during the warming season or more depending on your installation. You can call a Chimney sweeper to evaluate the creosote formation or you can do it yourself - extinguish the wood stove and wait until it cools down. Unscrew the flue collar and stove collar to inspect them, then verify the inside of the chimney with a spot light to see if a creosote buildup has occurred.

For a masonry chimney, insert a mirror in the cleanout opening at the bottom. For an outdoor factory build chimney, open the cap at the bottom of chimney for cleaning. It is preferable to do the inspection during the daytime on a sunny day.

If you see 1/8 inch (3 mm) or more creosote buildup, the chimney diameter appears smaller or if you cannot see the chimney cap, it is time to sweep the chimney and the chimney connector to remove creosote.

## Chimney Sweeping

Chimney Sweeping needs special tools such as fiberglass rods, an adapted diameter brush and some ropes.

Sweeping chimney also requires to climb on the roof and higher chimney section as well to remove the chimney cap, if applicable.

We recommend to call a Professional chimney Sweeper certified by APC in Quebec, the WETT in the rest of Canada or by NFI in United States.

## Door care

The door is the mobile element that needs a special attention. Its tightness is very important. If you see the white soot sticking on the glass, it is the sign of worn braided fiberglass rope and the air is leaking from there.

## Air Tighten Adjustment

If the braided fiberglass rope still seems good enough but little flatten, it might need to be tighten on the façade of the stove.

### Door adjustment (hinges side)

**Important:** To keep squareness of the door, keep the door locked and loosen only one hinge at a time.

- 1) Loosen lightly upper hinge.
- 2) Push the door against the stove so that the glass fibre rope is flattened.
- 3) Keeping the door pressed against the stove, tighten the upper hinge.
- 4) Loosen lightly lower hinge.
- 5) Push the door against the stove so that the glass fibre rope is flattened.
- 6) Keeping the door pressed against the stove, tighten the lower hinge.
- 7) Open the door and slide a piece of paper in the gap in the door, then close the door.
- 8) If you can easily pull out the paper without tearing, please repeat the previous steps.
- 9) Even after several attempts, if the paper comes off easily, the braided glass fiber rope must be changed.

### Door adjustment (right side)

You can do this adjustment with the screw under the door near the hook hole.

- 1) Unlock and open the door.
- 2) With a square-headed screwdriver, turn clockwise the adjustment screw a quarter turn.
- 3) Put a piece of paper between the stove and braided glass fiber rope, then close and lock the door.
- 4) If the paper easily comes out when you pull it, repeat step 1 to 3 again.
- 5) If the screw is completely tightened and the paper comes out easily, you have to change the braided glass fiber rope.

Some models might have two screws apart on the front face. These must not be unscrewed in any case. They hold the rolling mechanism to lock the door.

## Cleaning up glass

To clean the door glass, J.A. Roby Inc. recommends using products for this purpose or an oven cleaner only for glass part.

- Avoid cleaning hot glass and cleaning with abrasive. Cleaning hot glass can cause a thermal shock and brake the glass.

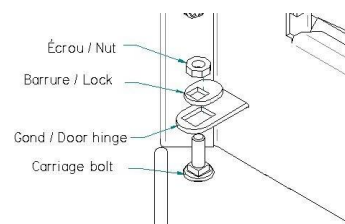
## Disassembly and reassembly of door

Do not unscrew the lower hinge when disassemble the door.

- 1) Keep the door locked.
- 2) Loosen the upper hinge without removing the nut.
- 3) Unlock the door and open it while holding it.
- 4) Tilt the door slowly downward to remove the upper hinge
- 5) Lift the door and remove the lower hinge.

Installing the door :

- 1) Insert the bottom hinge and bring up the door. Place the nail in the upper hinge.
- 2) Close the door by leaning it against the facade then level the door.
- 3) Close and lock the door, then make sure the door is placed horizontally.
- 4) Tighten the upper hinge and align the washer with the hinge support.
- 5) Make sure everything is air tight



## Replacing broken glass

- Do not hit the glass to avoid breaking it.
- Do not pour water. It might cause thermal shock.
- Do not slam the door.
- Do not build fire too close the door.

**WARNING: NEVER USE THE STOVE WHEN THE GLASS IS BROKEN OR CRACKED**

Replace only with a 4 mm ceramic glass with the right shape. Contact your retailer to get the replacement glass panel.

**DO NOT USE SUBTITUTE.**

*How to replace glass:*

- 1) Loosen partially the screws retaining the four glass supports.
- 2) Remove the broken pieces of glass and clean the door.
- 3) There must be a flat glass fibre rope for airtightness around the glass. You have to install new one in case of loss or damage. The flat glass fiber rope is self-adhesive. Stick it around the glass without pressing it excessively.
- 4) Install the new glass panel and replace the lower support first and gently tighten screw. If you tighten it too much, it might make a pressure point and break the glass when it becomes hot. Then press gently the glass fibre rope against the door.
- 5) Install the upper support and tighten the screws gently but not too tight.
- 6) Check all the screws.

If it is impossible to replace the glass in vertical position, you may have to remove the door. Refer to the section concerned in this manual.

## *Replacing glass fiber rope*

When the braided glass fibre rope is all flattened out, it becomes impossible to close the door hermetically. This means that the glass fibre rope is no longer usable or that the rope is damaged. You must therefore replace it.

Use a ½ inch (12.7mm) braided glass fiber rope.

It is preferable to detach the door from the stove when you replace the rope. Refer to the section concerned in this manual.

## *Glass fiber rope preparation*

- 1) Take the end of the glass fiber rope and tuck fiber inside to make a clean end.
- 2) Put little amount of high temperature sealant, such as latex or silicone, at the end of the fiber glass rope so that it won't come loose.
- 3) Remove old glass fiber rope from the door and clean the groove.
- 4) Starting from the lower corner near the hinge, put the glass fiber rope into the groove without giving any tension. Verify the length of rope.
- 5) Cut it ½ inches over the require length and repeat step 1 and 2.

## *Glass fiber rope installation*

- 1) Put a high temperature sealant in the clean groove to glue the glass fiber rope.
- 2) Place glass fiber rope into the groove starting from the lower corner near the hinge without giving any tension
- 3) Glue the twoglass fiber rope ends with high-temperature sealant to make a right angle.
- 4) Let dry the sealant for at least 48 hours before use. Reassemble the door on the hinges if you uninstall it and readjust the airtightness.

## **What to do in case of Chimney Fire**

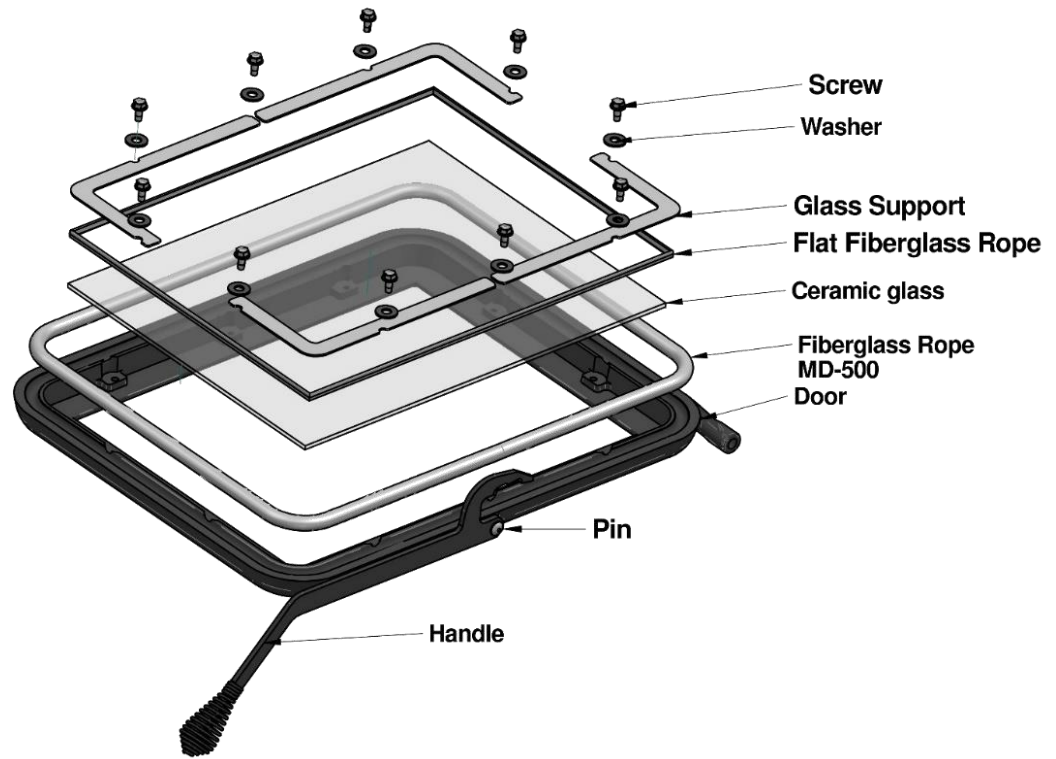
Contact your local authority to know what to do in case of Chimney fire. Keep in mind the procedure in case of chimney fire.

1. Close all the doors, the air intakes and the vent damper
2. Pour water on combustible material around stove.
3. Call the fire department and trigger alarm. Leave the house if necessary.
4. Never touch the chimney and pipes before the fire is completely extinguished.
5. Do not use the chimney before it has been inspected and repaired.

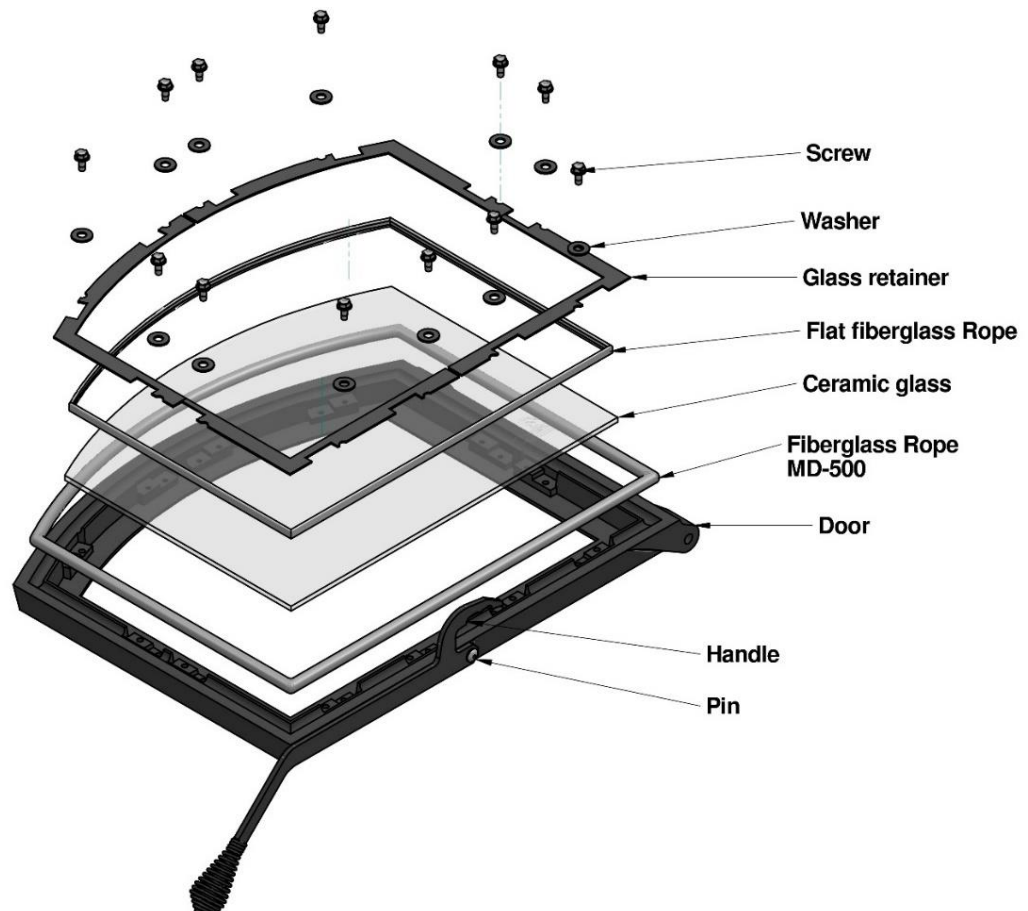
# Annex 1

## Door assembly

### Square Door

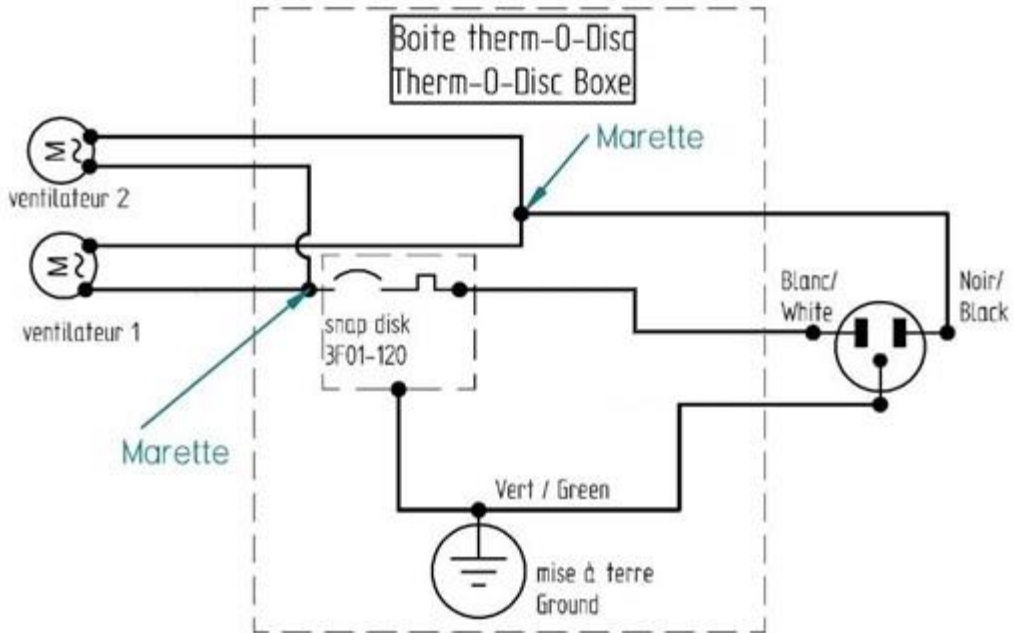


### Arc Door

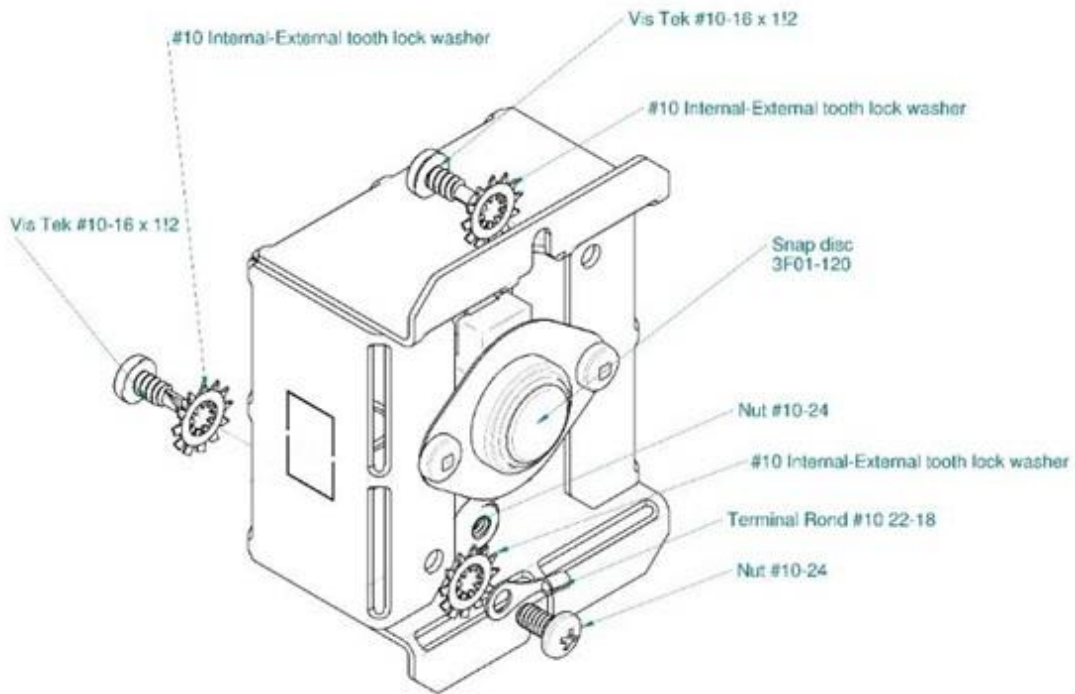


## Annex 2

### Circuit diagram of fan



### Snap Disc Box parts description



## **Annex 3**

### **Parts that can be replaced**

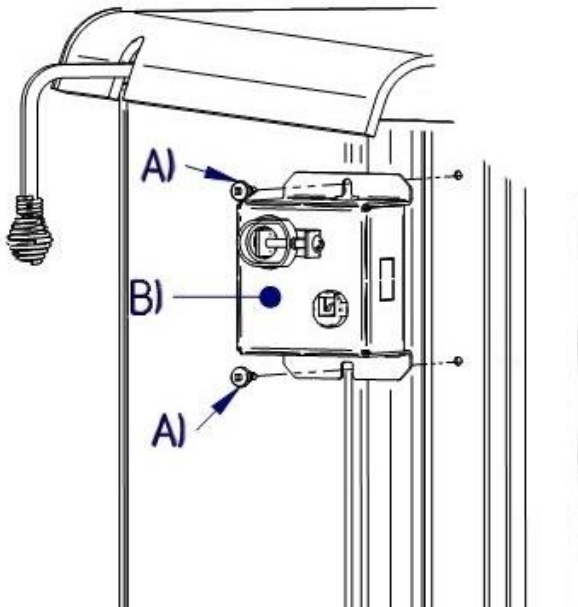
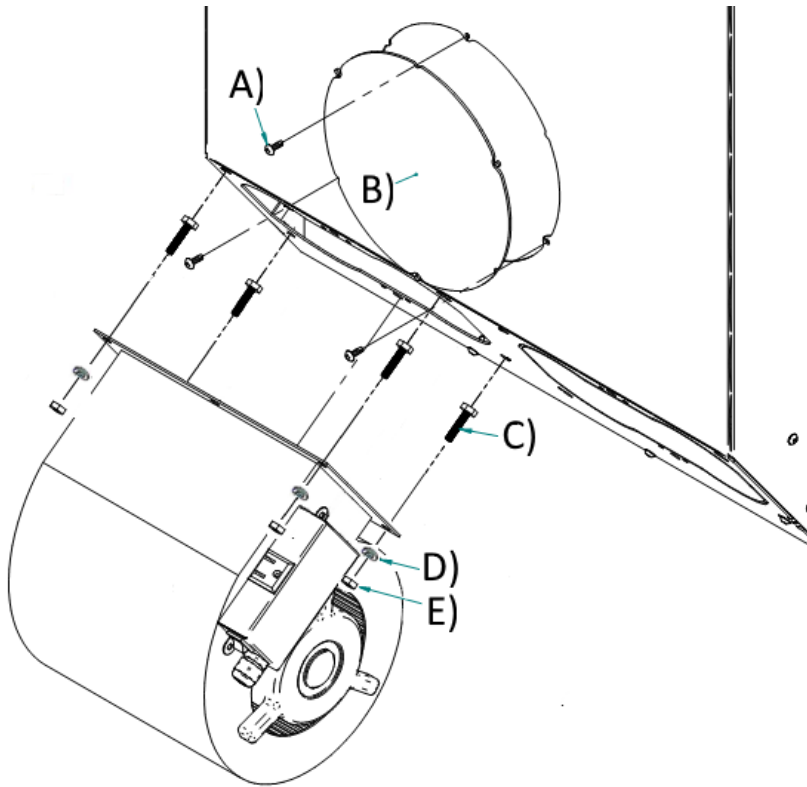
- Bricks
- Stove ceramic glass Arc
- Stove ceramic glass Rectangular
- Spring Handle
- Stove Door with handle
- Fans
- Flat fiberglass rope (around glass)
- Round fiberglass rope
- Slotted Brick Washer

To ordered parts call your stove seller representative.

## Annex 4

### Installation of optional fan kits

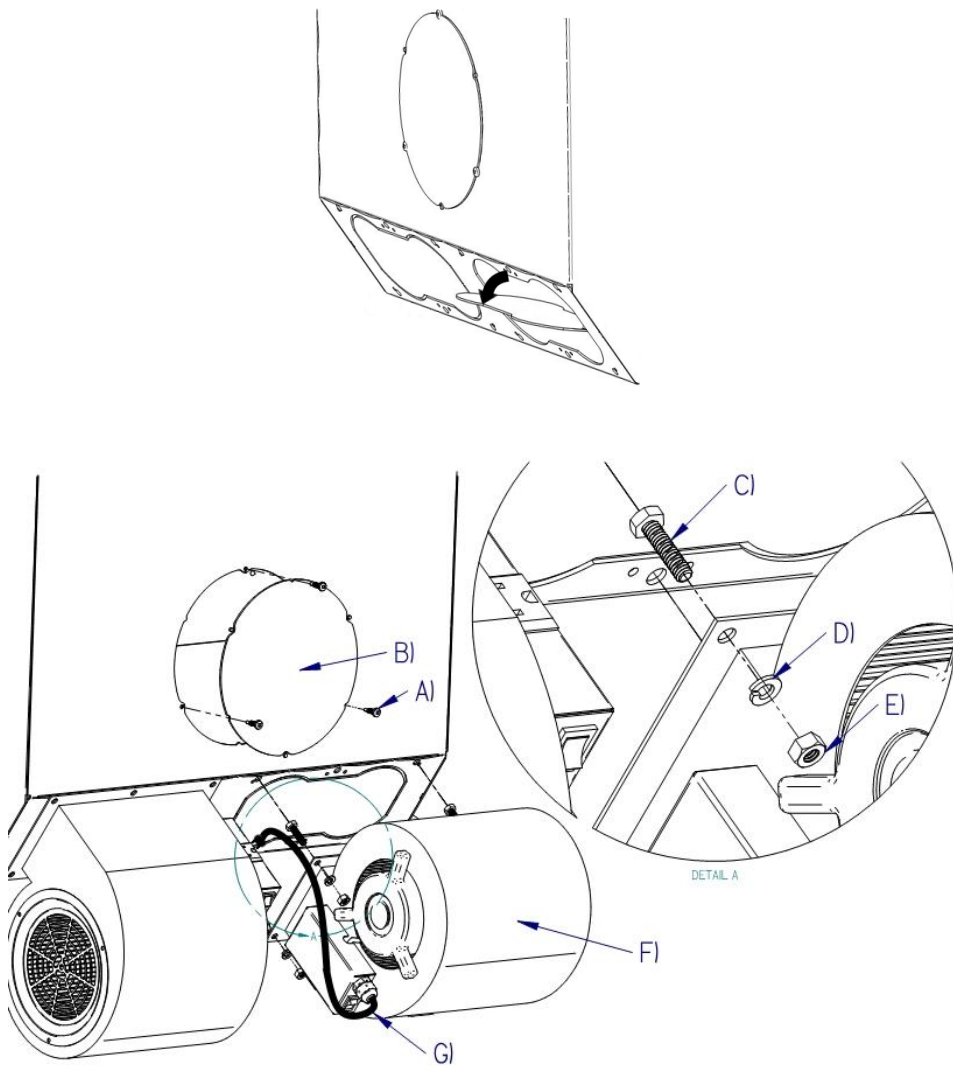
460 CFMs fan kit (part #: VENT460 TH)



**Step 1 :** Remove the access panel **(B)** on the back of the appliance by unscrewing / untightening the 3 screws **(A)**. Insert the 4 bolts **(C)** inside the fan housing at the designated location by passing the hand through the access opening. Take care of putting the bolt's screwing part oriented downward. Fastened the fan to the stove with the 4 lock washers **(D)** and the 4 nuts **(E)** provided with the fan kit as shown hereby.

**Step 2:** Install the fan kit's thermodisk junction box **(B)** by screwing it to the appliance with 2 screws **(A)** (included). The thermodisk junction box should be located on the back corner of the stove as in the hereby picture . Connect the power cable plug of the thermodisk junction box to the power supply.

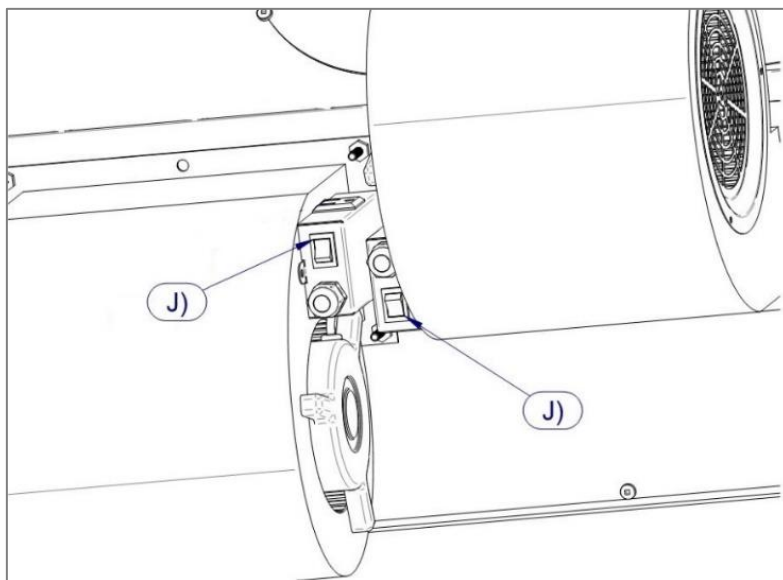
## Installation of the optional 460 CFMs second blower (part #: VENT460T+)



**Step 1 :** Remove the bottom right plate. Push on one side of the plate to tilt it. Keep twisting the plate until it comes apart.

**Step 2 :** If it's not already done, remove the access panel (B) on the back of the appliance by unscrewing / untightening the 3 screws (A). Insert the 4 bolts (C) with their screwing part oriented downward at the designated location in the adjacent picture. Put them inside the fan housing by passing the hand through the access opening. Put the second blower in the opposite orientation compared to the first blower. Screw the fan to the stove with the 4 lock washers (D) and the 4 nuts (E) provided with the fan kit. Connect the power supply of the second blower to the electric outlet of the first blower (G). Put back the access hatch (B) in place.

## Adjustment of the fan speed



It is possible to change the speed of the blower(s) in between the high and the low speed. The position of the switch(es) as shown in the adjacent picture (J) should correspond to the low speed configuration.

**Note:** There is no off position on the switch(es).





**STOVES & FIREPLACES**



## **J. A. Roby Limited Lifetime warranty**

### **WOOD BURNING STOVES & FIREPLACES**

J. A. ROBY’s warranty only applies to original buyer and is non-transferable. This warranty covers brand new products only, which have not been altered, modified nor repaired since shipment from factory. The products covered by this warranty must be manufactured after the review date indicated at the bottom of page. Proof of purchase (dated bill of sale), model name and serial number must be supplied when making any warranty claim to your J. A. ROBY. Registering your warranty is not required.

The appliance must be installed by an authorized service technician or contractor. Installation must be done in accordance with the installation instructions included with the product and all local and national building and fire codes. Any service call related to an improper installation is not covered by this warranty. This warranty applies to normal residential use only. This limited warranty does not cover damages caused by misuse, improper installation, lack of maintenance, accident during transportation, alterations, power failure, venting problems, downdrafts, abuse, over firing or neglect. Operating the appliance on high for extended periods of time is considered as a neglect. Any defect or damage caused by the use of unauthorized parts or other than original parts void this warranty.

This limited warranty does not cover any scratch, corrosion, warping or discoloration. The manufacturer may require that defective products be returned and/or that digital pictures be provided to support the claim. Returned products are to be shipped prepaid to the manufacturer for investigation. If a product is found to be defective, the manufacturer will repair or replace such defect. The transportation fees to ship back the product to the purchaser will be paid by the manufacturer<sup>2</sup>. The external labour fees related to warranty repair are not covered. The manufacturer may, at its discretion, decide to repair or replace any part or unit after inspection and investigation of the defect. The manufacturer may, at its discretion, fully discharge all obligations with respect to this warranty by refunding to the original warranted purchaser the wholesale price of any warranted but defective part (s). The manufacturer shall not in no event be liable for any special, indirect or consequential damages of any nature whatsoever which exceeds the original purchase price of the product. All parts replaced under this limited lifetime warranty are subject to a single claim.

Any damage to the appliance, combustion chamber, heat exchanger, enameled cast iron cooking plate or other components due to water, weather damage, long periods of dampness, condensation, damaging chemical or cleaner will not be the responsibility of J. A. ROBY. Failure of any components which is attributed to poor maintenance, is not warrantable and will not be covered by this policy. J.A. ROBY neither assumes, nor authorizes any third party to assume, on its behalf, any other liabilities with respect to the sale of this product.

The manufacture of your new appliance and the following materials are warranted against defects as mentioned below:

<b>WARRANTY DESCRIPTION</b>	<b>100%</b>	<b>50% current retail price</b>
Ashtray, handles, doors and cast iron legs	Life	
Combustion chamber	5 years	From 5 years to life
Secondary air tubes	5 years	
Heat exchanger	2 years	From 2 years to life
Switches, thermodisc, wiring and electrical components, standard blowers and rheostat	2 years	
Tempered glass, optional blower and gasketing	1 year	
Ceramic glass (thermal breakage only <sup>1</sup> )	1 year	
Replacement parts (with proof of purchase)	90 days	

Due to on-going product improvements, all specifications and design are subject to change without prior notice.

**Before shipping your unit or defective component to our plant, you must obtain an authorization number from J. A. ROBY. Any merchandise shipped to our plant without authorization will be refused automatically and returned to sender.**

1= Digital pictures required      2= Shipping cost are not covered outside CANADA

Review Oct. 2014